

2023



BUYERS' GUIDE

RANGERTM
DESIGN

**THE PERFECT FIT
FOR YOUR
TOUGHEST JOBS**

HELPING MOBILE TECHNICIANS WORK MORE EFFECTIVELY BY PROVIDING ORGANIZED STORAGE SOLUTIONS

**AT RANGER DESIGN,
WE BELIEVE MORE IS POSSIBLE.**

We believe work vehicles and the technicians that drive them can become more organized, more efficient, more productive and more profitable. At Ranger Design we're committed to bringing you the products and services that make that possible.

More means helping you choose the right work van for your application, as well as giving you engineering support and expert advice to help design the most efficient work space in your new vehicle.

More also means getting that new van outfitted and on the road faster, so you can start using it for the reason you bought it.

We're committed to bringing you more, because we believe more is possible.



MORE IS POSSIBLE



INSTALL TIMES

Install time is estimated based on the average time taken by an experienced Ranger Design installer.

UPDATED DATA

At the moment of publication, the data included in this directory was up-to-date.

Any corrections, modifications and discontinued product occurring after publication date are reflected in our Buyers' Guide available on our website.

The digital version of all our catalogs is always updated as modifications occur during the year.

TABLE OF CONTENTS

| | |
|---------------------------------|--------|
| CHOOSE A PRODUCT LINE | P. 4 |
| HOW TO BUY | P. 6 |
| GETTING STARTED | P. 8 |
| LAYOUT GUIDES | P. 10 |
| VAN UPFIT | P. 22 |
| VAN PARTITIONS | P. 30 |
| VAN PACKAGES | P. 54 |
| VAN SHELVING | P. 144 |
| VAN DRAWERS | P. 164 |
| VAN STORAGE UNITS | P. 174 |
| VAN ACCESSORIES | P. 184 |
| VAN ROOF RACKS | P. 192 |
| INDEX | P. 214 |

CHOOSE A PRODUCT LINE TO MATCH YOUR NEEDS

Ranger Design steel and aluminum product groups ensure that fleets of any size have the best equipment to fit their budget, trade or fuel saving targets.



Aluminum



Steel

| | BENEFITS | PRODUCTS | WARRANTY |
|--|---|--|--|
| <p>WHY BUY STEEL? You want better quality and price than other steel products on the market.</p> | <p>Tough Low cost Quiet</p> | <p>Shelving</p> <hr/> <p>Partitions, Drawers, Accessories</p> | <p>10 years*</p> <hr/> <p>3 years*</p> |
| <p>WHY BUY ALUMINUM? You want the toughest, quietest product on the market. You need to optimize payload without sacrificing quality.</p> | <p>Toughest Lightweight Quiet</p> | <p>Shelving, Partitions, Drawers, Accessories, Ladder Racks</p> | <p>10 years* Exceptions may apply</p> |

*Ranger Design Inc. van equipment is warranted to be free from defects in material and workmanship under normal use and service for the period indicated, from the date of the original retail purchase, when installed per Ranger Design instructions in the original vehicle. Please contact Customer Service for full warranty details. Email: cs@rangerdesign.com

Throughout the catalog **STEEL** products are depicted with yellow and **ALUMINUM** products with black.

1-800-565-5321
7 A.M. – 8 P.M. EST

World Class Customer Service



Real people, ready to answer in 2 rings or less*

We are pleased to offer an efficient, personalized service to answer all questions regarding:

- › Pricing/Quoting
- › Product install
- › Order status
- › Consultation
- › Shipment status
- › New product availability
- › Product specifications
- › Warranty claims
- › Returns/Restocking
- › Vehicle specifications

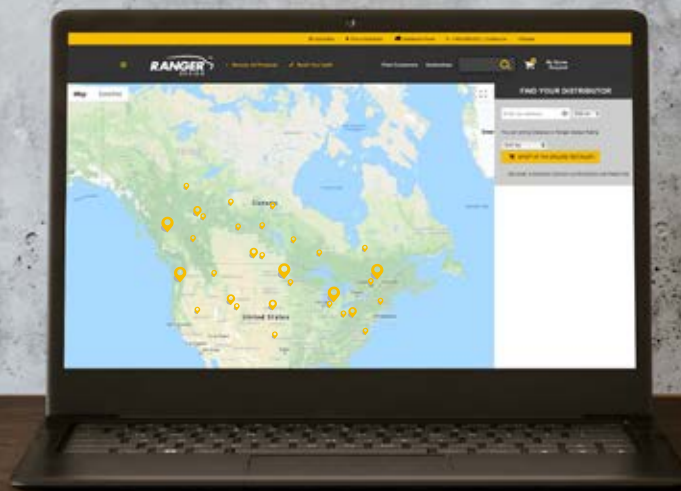
*Call customer service and the phone will be answered in 2 rings or less. Yes, a real, live person working in one of our offices in North America is available to answer your questions. No automated attendant. No complicated phone tree and offshore service. Call us to experience the difference.

OVER 350 DISTRIBUTORS ACROSS THE CONTINENT

| | Regular Order | QuickShip Order |
|------------------|---|--|
| Buy | Contact one of our 350 distributors rangerdesign.com/find-distributor . | Ranger Design QuickShip service is available through your local distributor. |
| Lead Time | Orders ship from our factory within 5 business days. | Orders placed with Ranger Design before 1PM EST will ship from our factory in the next business day. |



Throughout the catalog products and packages with this symbol can be ordered through our QuickShip service.



Turn-Key Fleet Services



Ship Through or Local Installation Across North America for all Types of Cargo Vans

We are pleased to offer an efficient, personalized service to answer all questions regarding:

1. Analysis

- › Cargo Needs Analysis
- › Custom 3D CAD Layouts
- › Hands-on Equipment Demo

2. Testing

- › Test Fitting
- › Pilot Build and Review
- › Package optimization based on technician feedback

3. Delivery

- › Delivery, production, installation planning and scheduling
- › Vehicle Status Tracking

4. Service

- › Dedicated Fleet Account Management Team
- › Ranger Design Distributor Service Support Network
- › Live Customer Service

TAKE A FEW MINUTES TO WRITE DOWN THESE SIMPLE STEPS

Plan your storage zones

For how long do you plan to use the vehicle? A year 2–5 years 10 years or more (see page 4)

Will payload capacity be an issue? Yes No Why? _____

What type of industry are you in? _____

What kind of partition do I need? (F zone)

Do I need to see my cargo or see out the side doors? Yes No

Do I need the ability to go from the cabin to the cargo area through the partition? Yes No

List the equipment/products you will need to store

Place the items that you need most often in the most accessible locations.

| | How often will you use this? | | | Zone |
|-------|------------------------------|--------------------------|--------------------------|-----------|
| | Daily | Weekly | Monthly | A-B-C-D-E |
| _____ | <input type="checkbox"/> | <input type="checkbox"/> | <input type="checkbox"/> | _____ |
| _____ | <input type="checkbox"/> | <input type="checkbox"/> | <input type="checkbox"/> | _____ |
| _____ | <input type="checkbox"/> | <input type="checkbox"/> | <input type="checkbox"/> | _____ |
| _____ | <input type="checkbox"/> | <input type="checkbox"/> | <input type="checkbox"/> | _____ |
| _____ | <input type="checkbox"/> | <input type="checkbox"/> | <input type="checkbox"/> | _____ |

Will I need to carry larger objects Yes No

List the tools you will need to carry

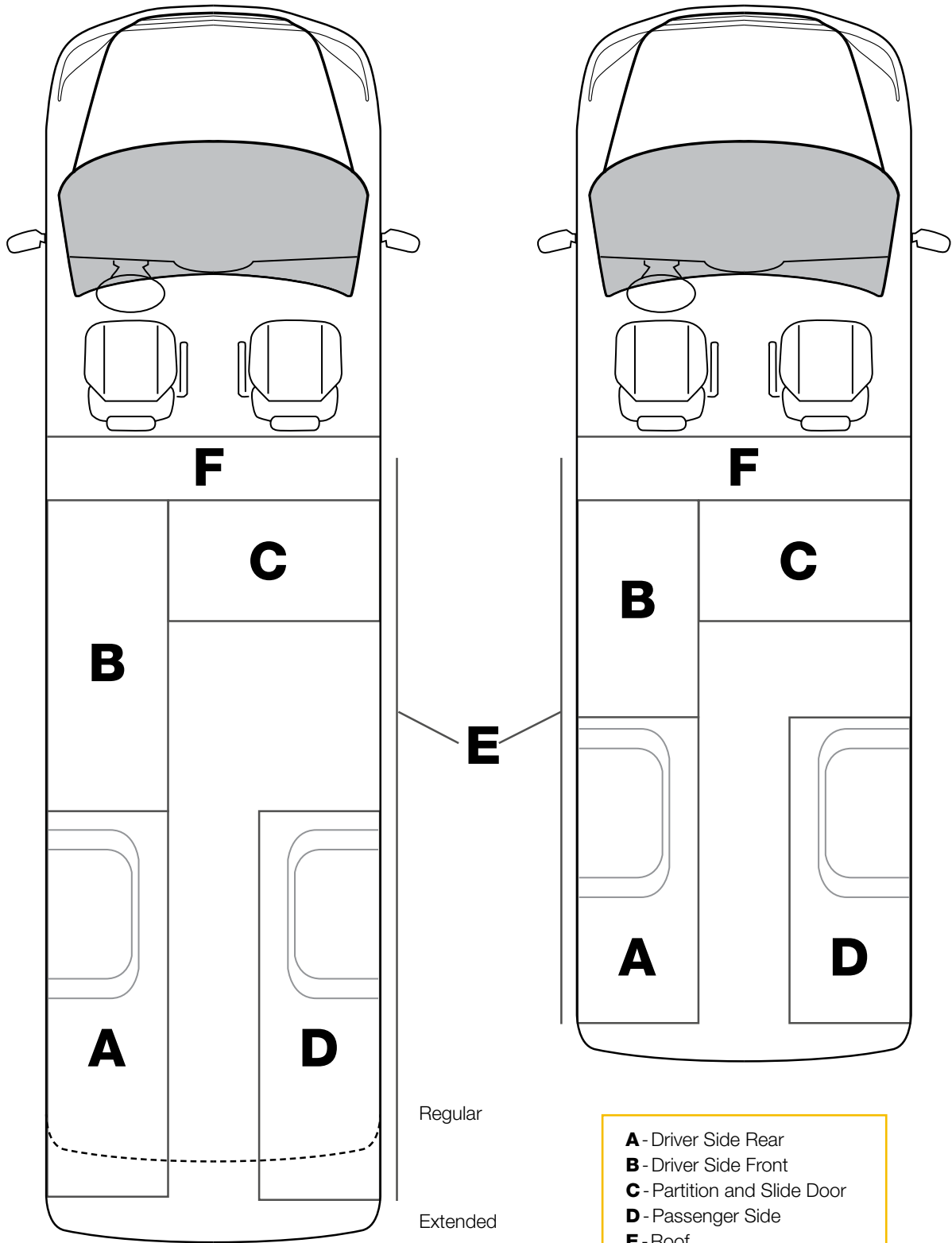
Place heavy tools closest to the access doors.

| | How often will you use this? | | | Zone |
|-------|------------------------------|--------------------------|--------------------------|-----------|
| | Daily | Weekly | Monthly | A-B-C-D-E |
| _____ | <input type="checkbox"/> | <input type="checkbox"/> | <input type="checkbox"/> | _____ |
| _____ | <input type="checkbox"/> | <input type="checkbox"/> | <input type="checkbox"/> | _____ |
| _____ | <input type="checkbox"/> | <input type="checkbox"/> | <input type="checkbox"/> | _____ |
| _____ | <input type="checkbox"/> | <input type="checkbox"/> | <input type="checkbox"/> | _____ |
| _____ | <input type="checkbox"/> | <input type="checkbox"/> | <input type="checkbox"/> | _____ |
| _____ | <input type="checkbox"/> | <input type="checkbox"/> | <input type="checkbox"/> | _____ |

What kind of ladder(s) will I be carrying? Step ladder Size _____ Extension ladders Size _____

 **Go to page 217 for an extra copy of this Getting Started form.**

STORAGE ZONES



- A** - Driver Side Rear
- B** - Driver Side Front
- C** - Partition and Slide Door
- D** - Passenger Side
- E** - Roof
- F** - Partition

HOW TO USE THE LAYOUT GUIDE

INSIDE ROOF HEIGHT

To determine the maximum shelf height that can be used in the van.

PARTITION DEPTH

This indicates the space taken up by our partition for this vehicle. Please note that this measurement is determined by the partition that encroaches the most. Some partitions may take up less space. Take note that this measurement may not necessarily be on the floor.

DOOR OPENING

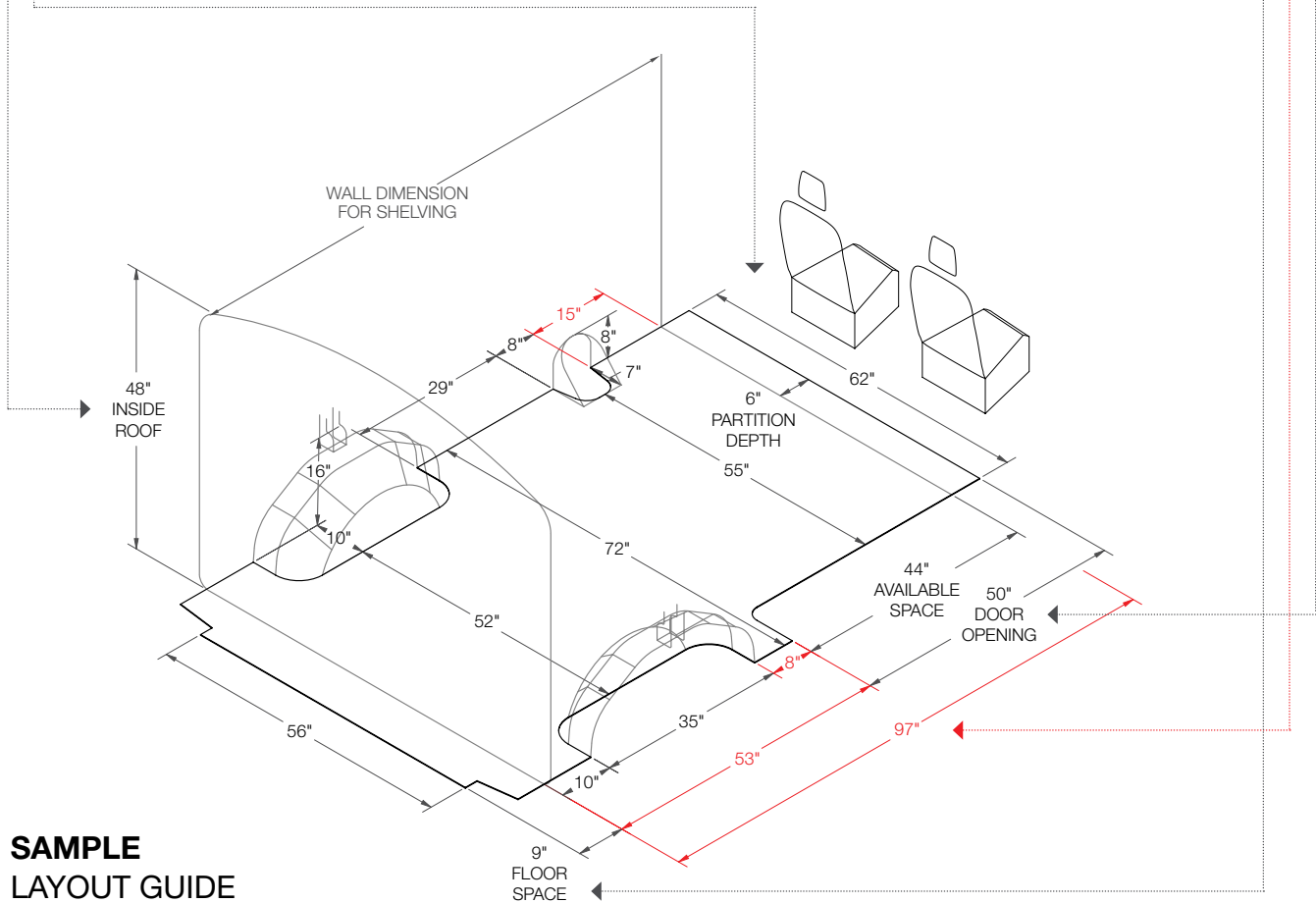
To determine where shelving will land in relation to the door opening. Use this measurement to determine the space available for drawer units.

DIMENSIONS IN RED

These dimensions indicate unique measurements for each wheelbase. Use red dimensions to determine the exact wheelbase of your van.

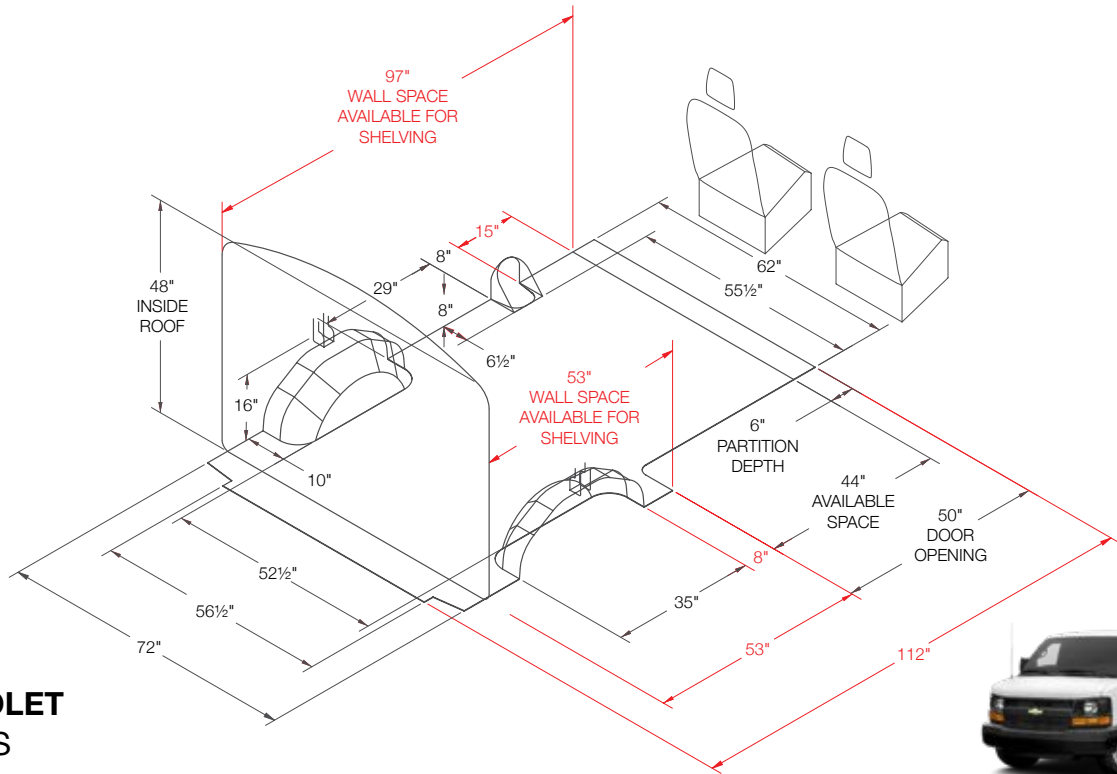
FLOOR SPACE

This area is usable floor space but due to curvature of the van there may not be the same available area at the roof. Please measure actual van for specific measurement at roof.



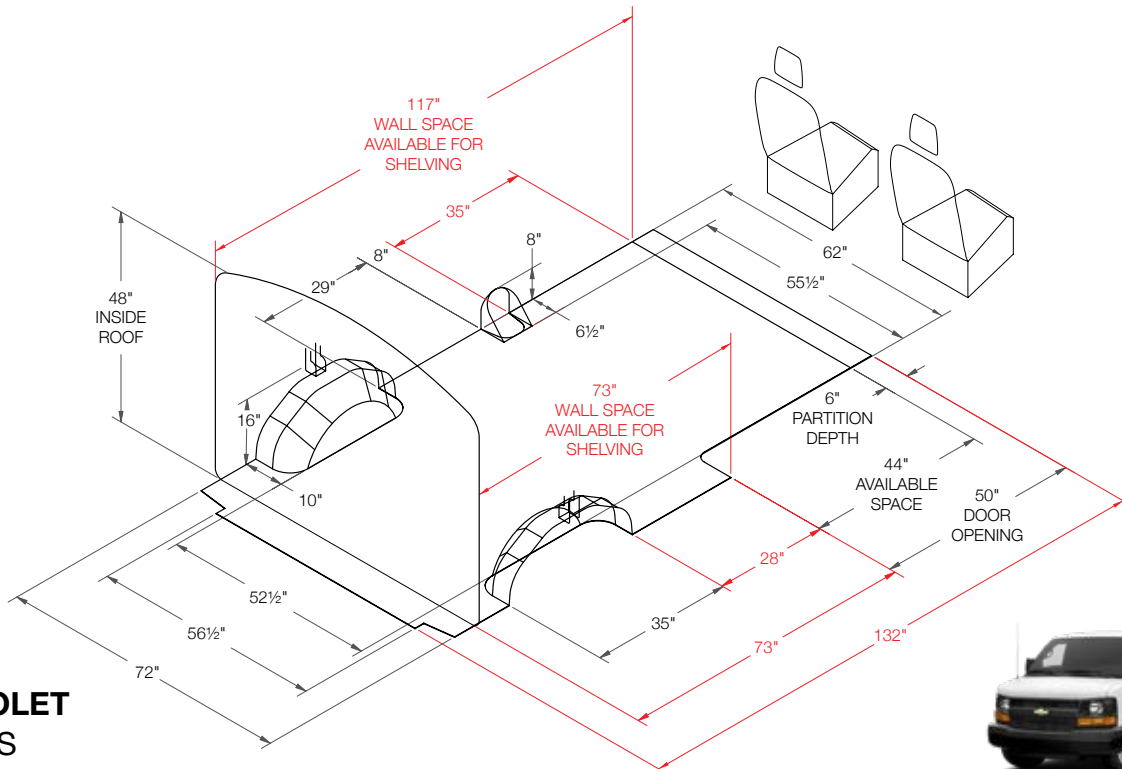
SAMPLE LAYOUT GUIDE

Wheelbase



CHEVROLET EXPRESS

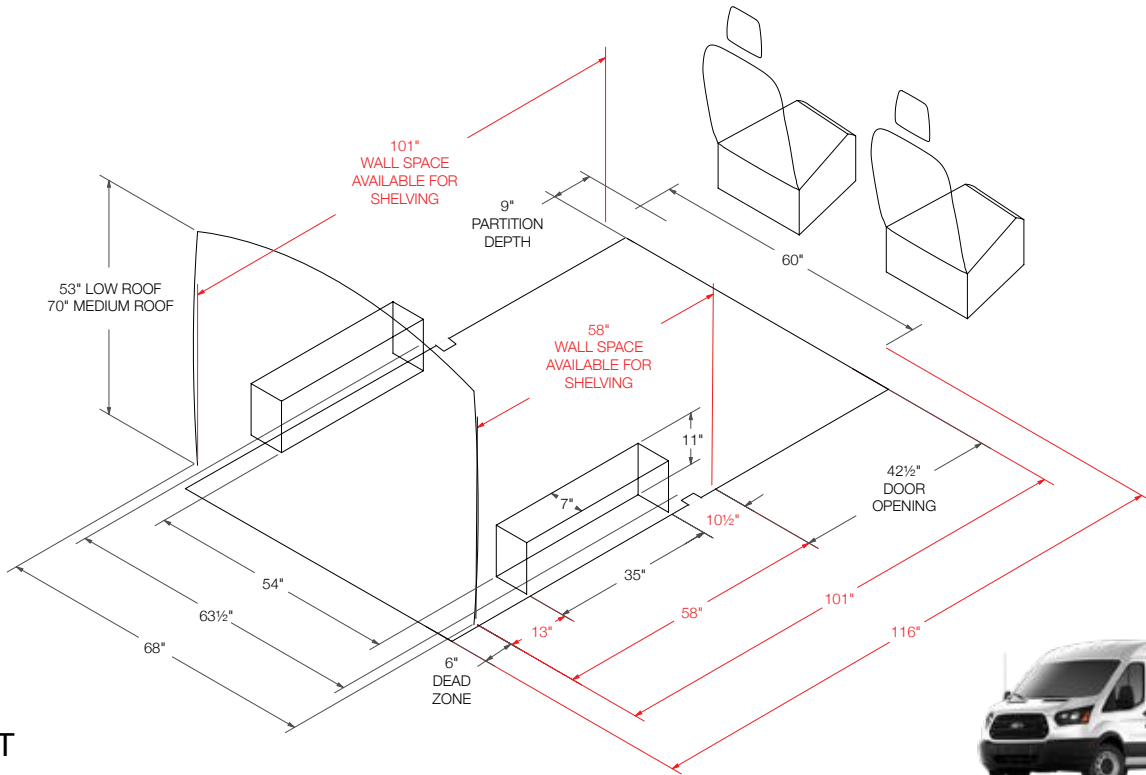
Regular 135" Wheelbase



CHEVROLET EXPRESS

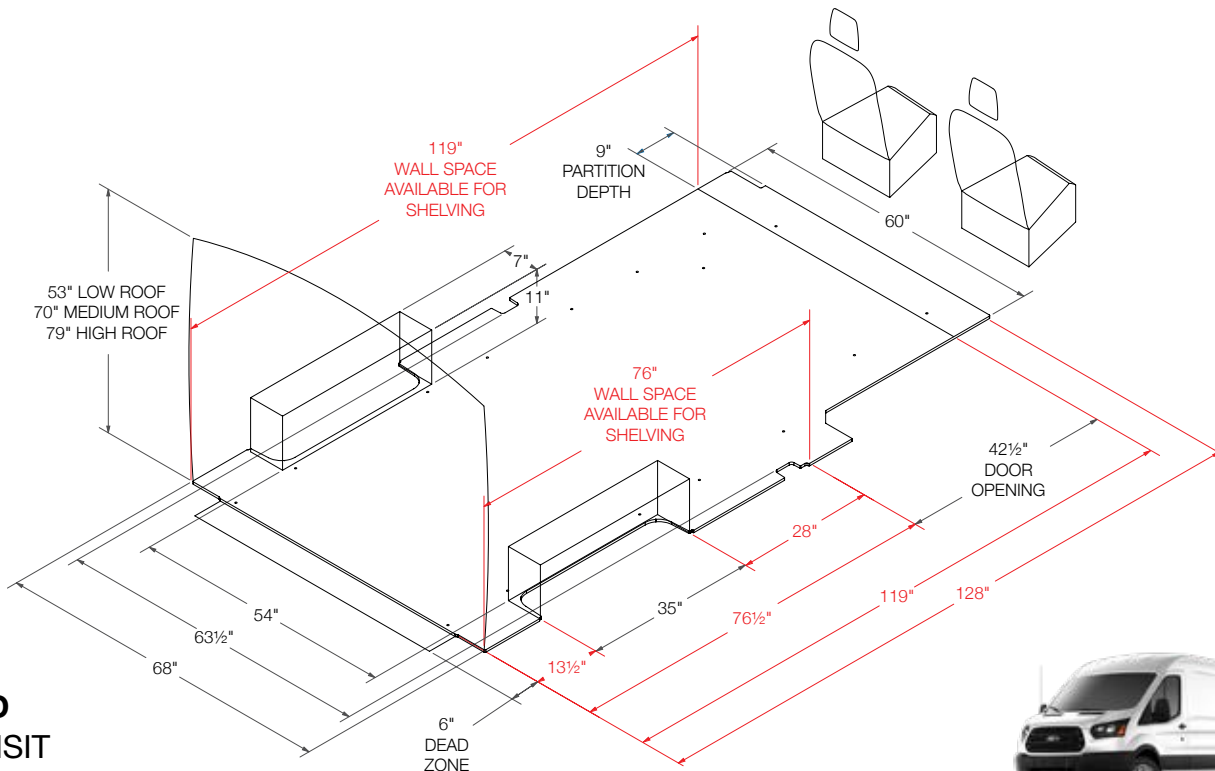
Extended 155" Wheelbase

LAYOUT GUIDES



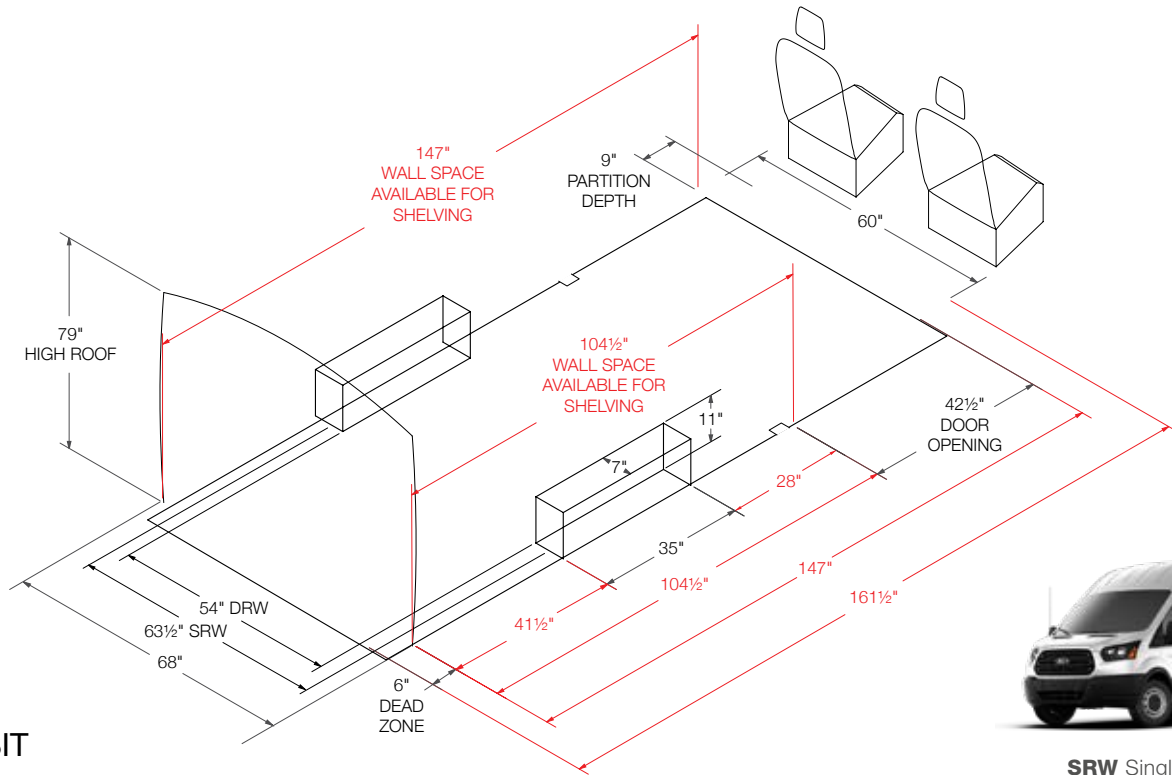
FORD TRANSIT

Regular 130" Wheelbase



FORD TRANSIT

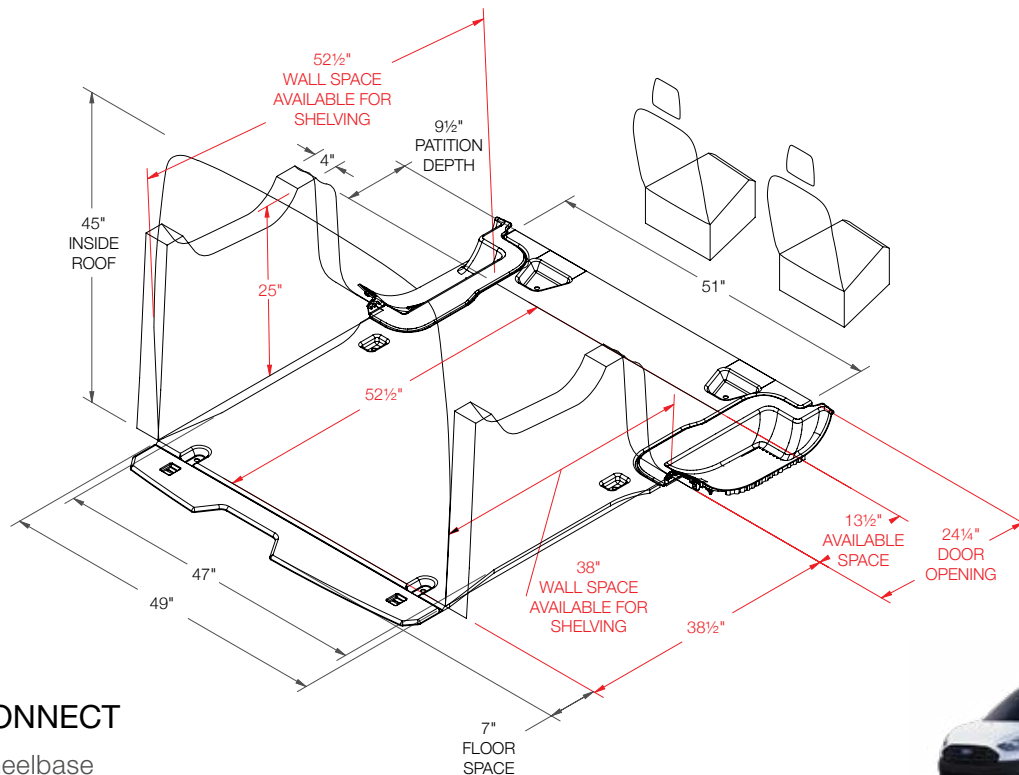
Long 148" Wheelbase



FORD TRANSIT

Long 148" Wheelbase Extended

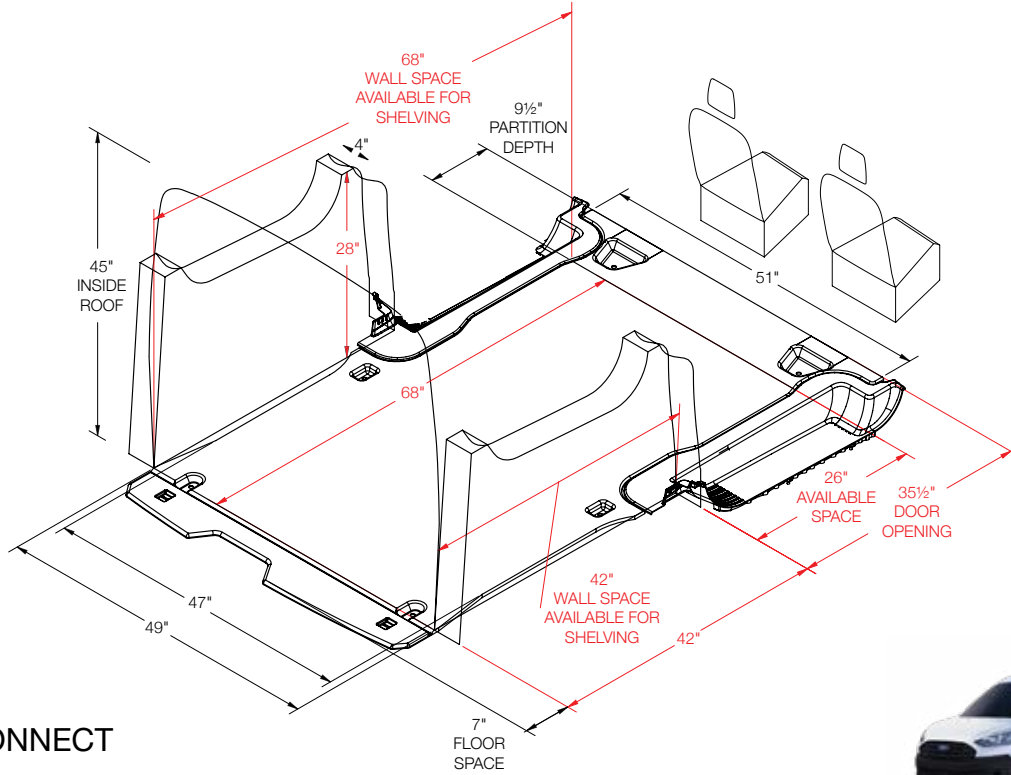
SRW Single rear wheel
DRW Double rear wheel



FORD TRANSIT CONNECT

Short 105" Wheelbase
Available in U.S. only

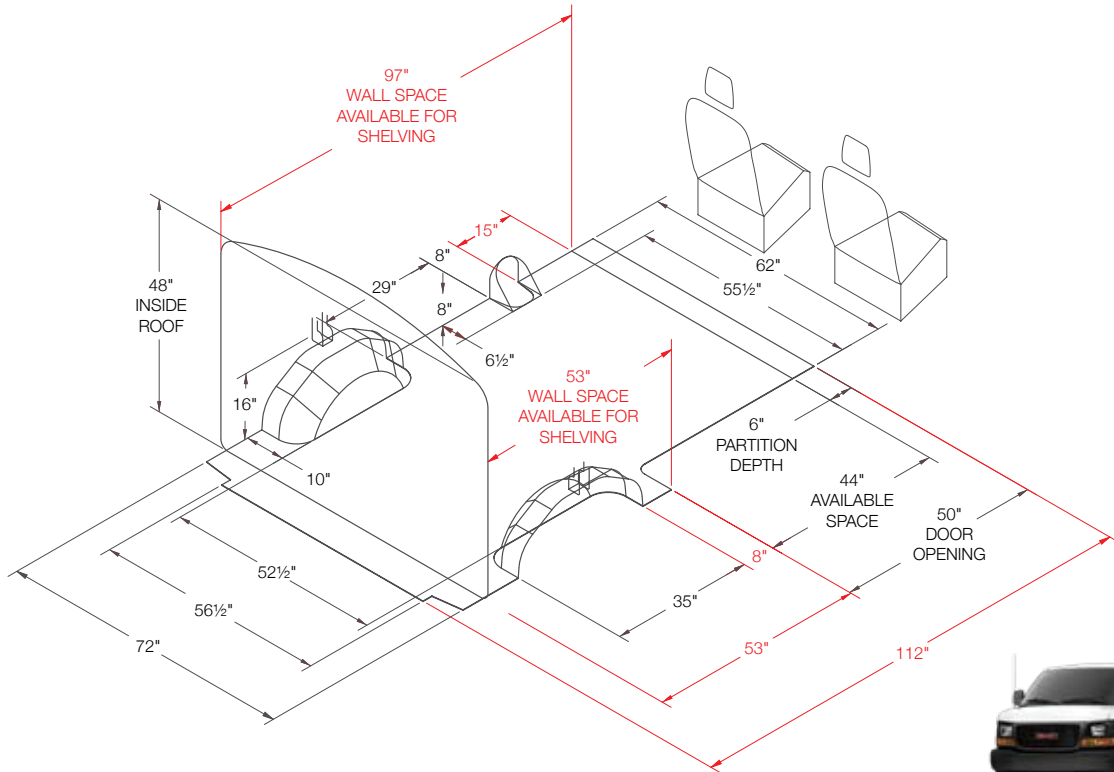
LAYOUT GUIDES



FORD TRANSIT CONNECT

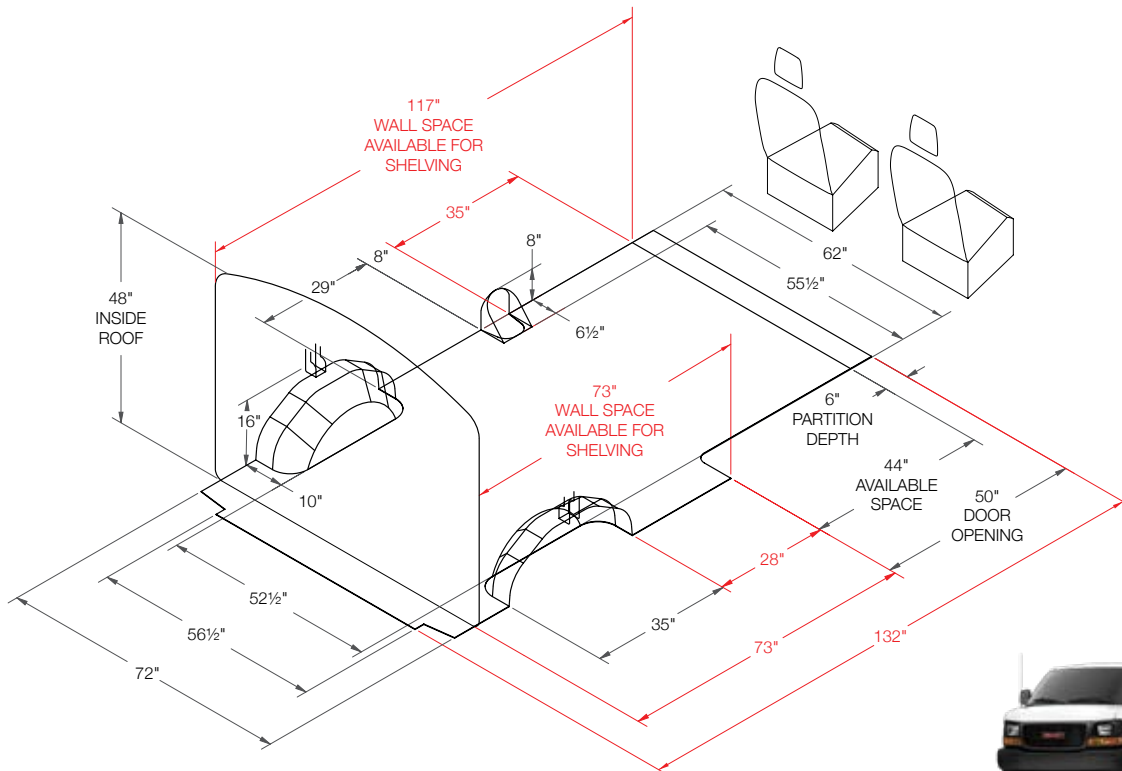
Long 120.5" Wheelbase





GMC SAVANA

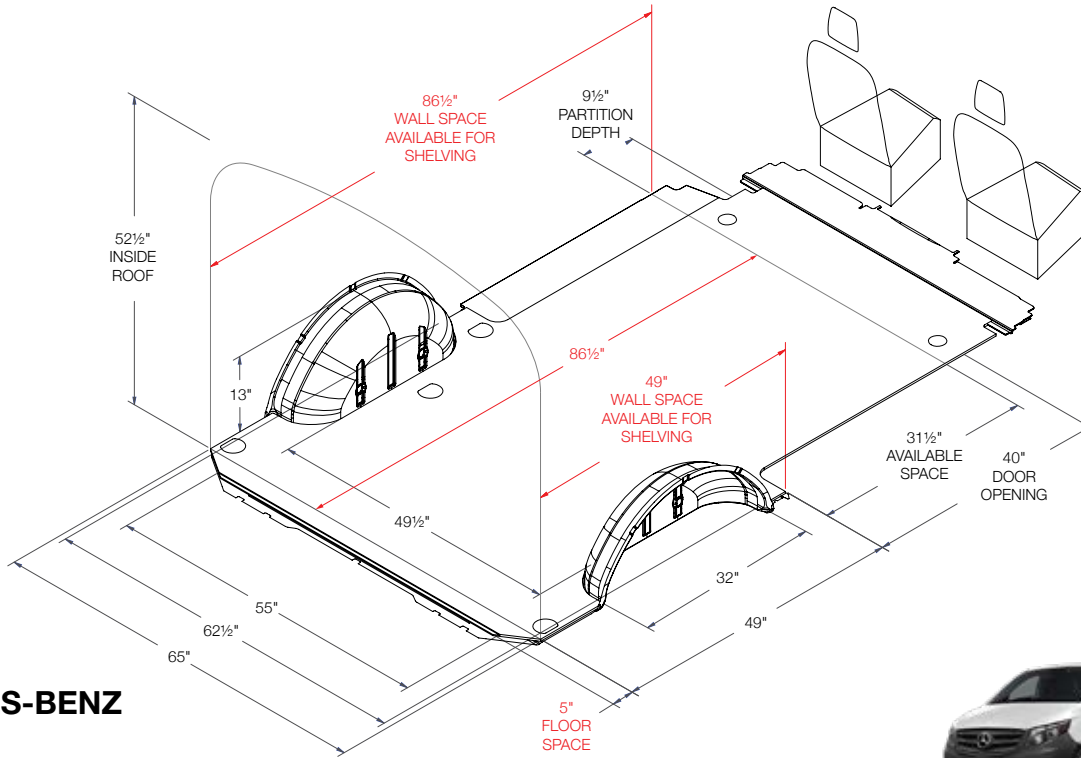
Regular 135" Wheelbase



GMC SAVANA

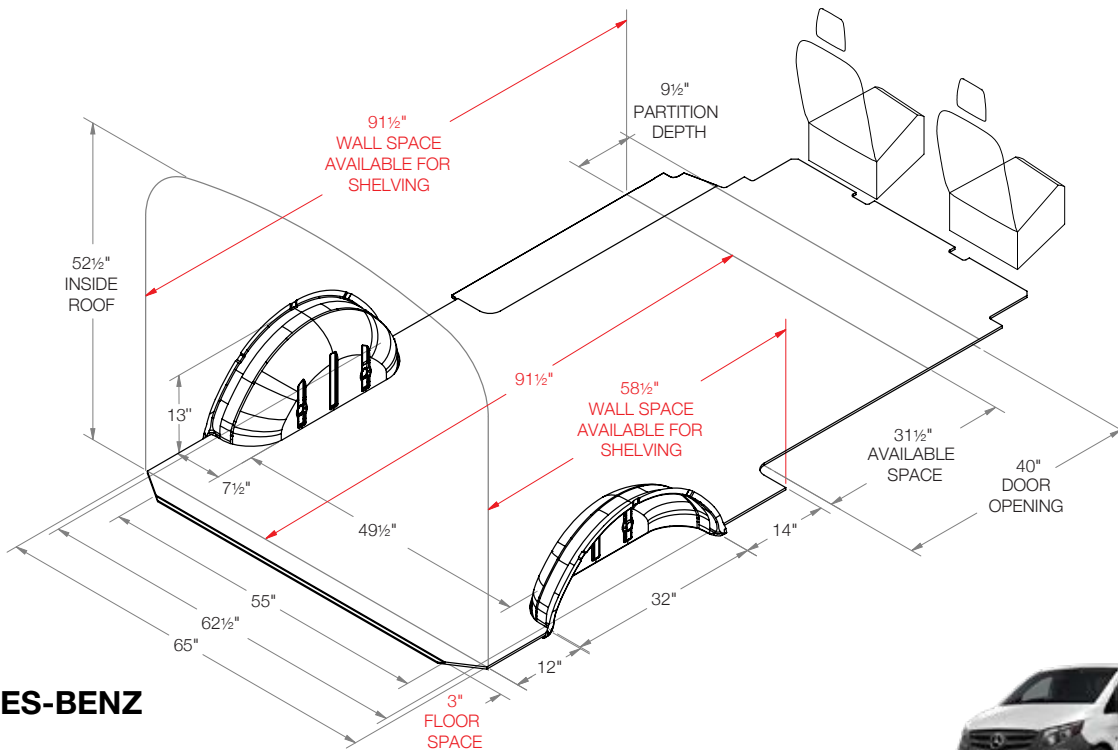
Extended 155" Wheelbase

LAYOUT GUIDES



MERCEDES-BENZ METRIS

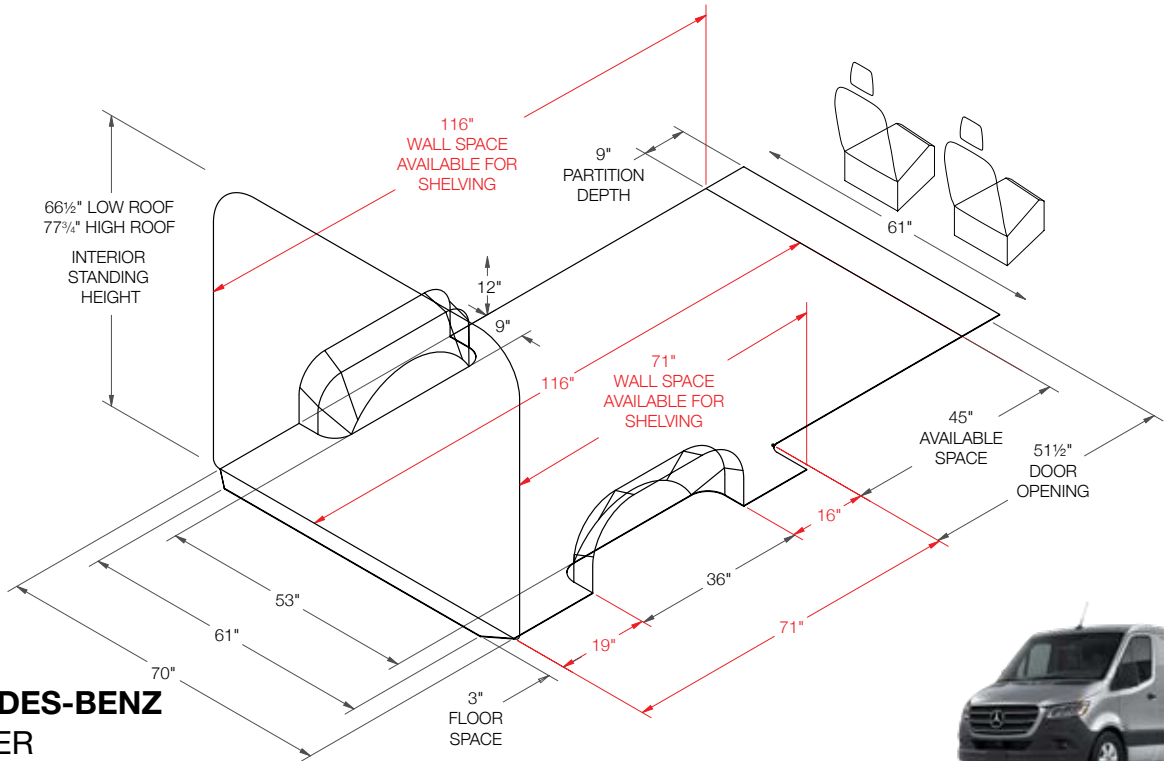
Regular 126" Wheelbase



MERCEDES-BENZ METRIS

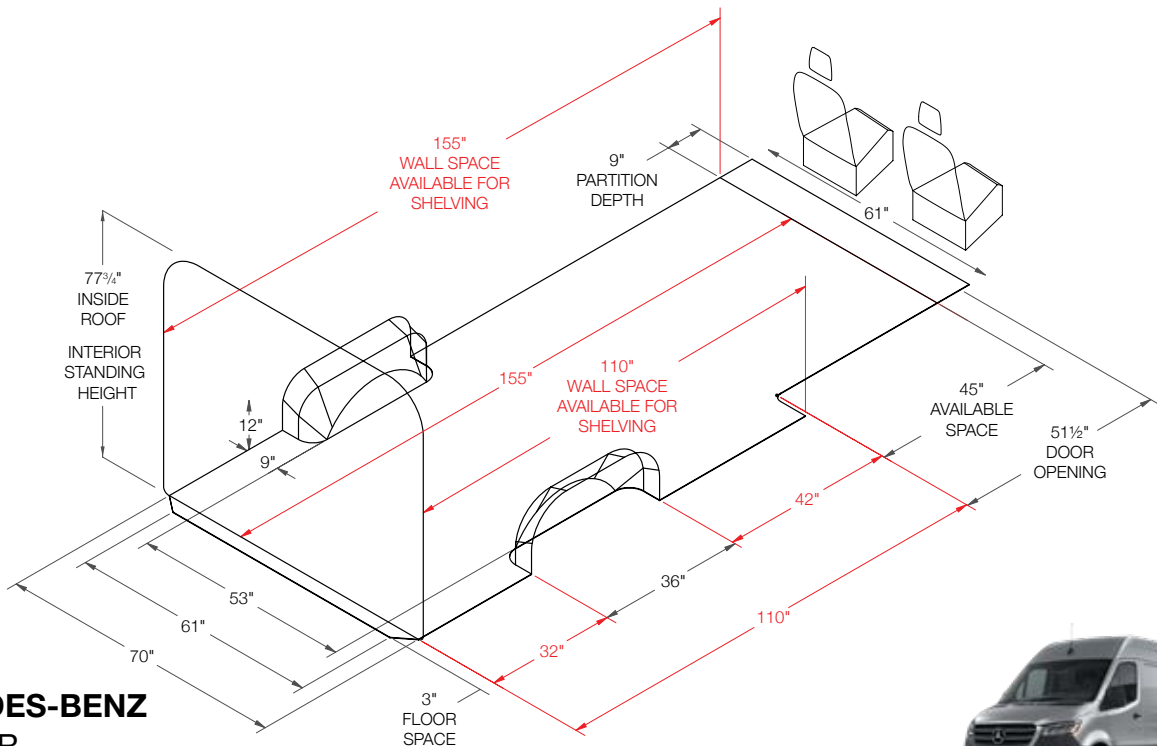
Long 135" Wheelbase





MERCEDES-BENZ SPRINTER

Regular 144" Wheelbase

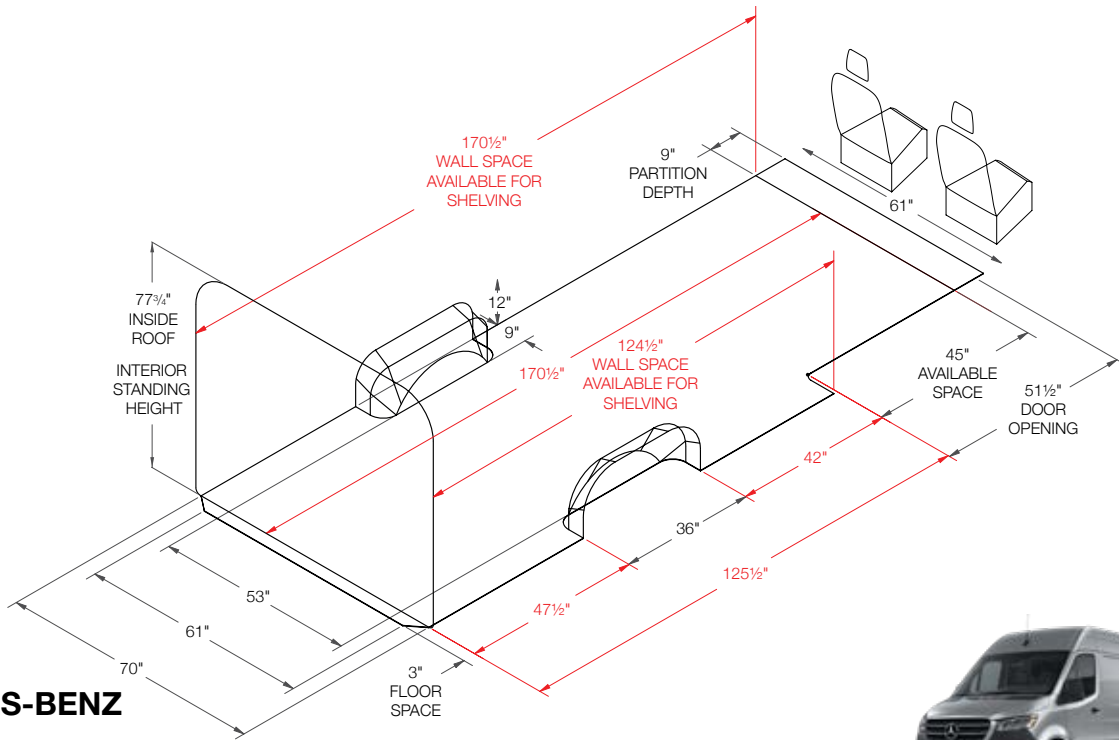


MERCEDES-BENZ SPRINTER

Long 170" Wheelbase

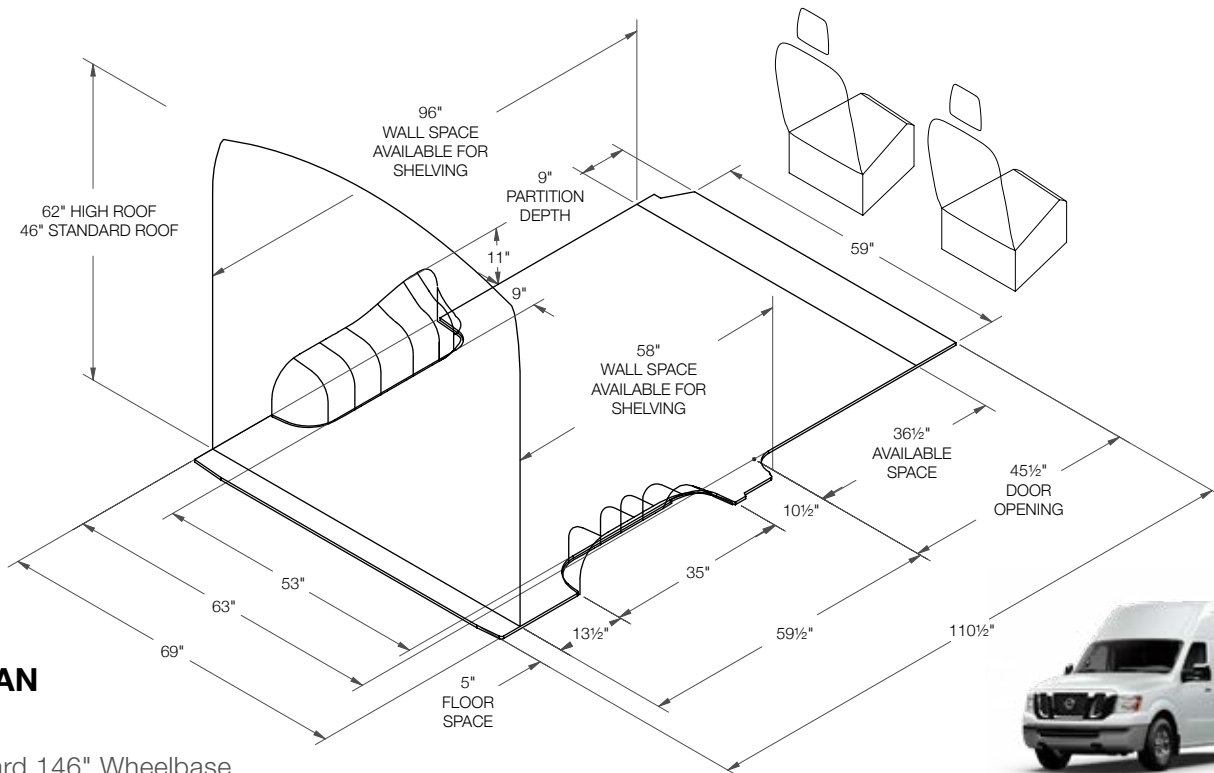


LAYOUT GUIDES



MERCEDES-BENZ SPRINTER

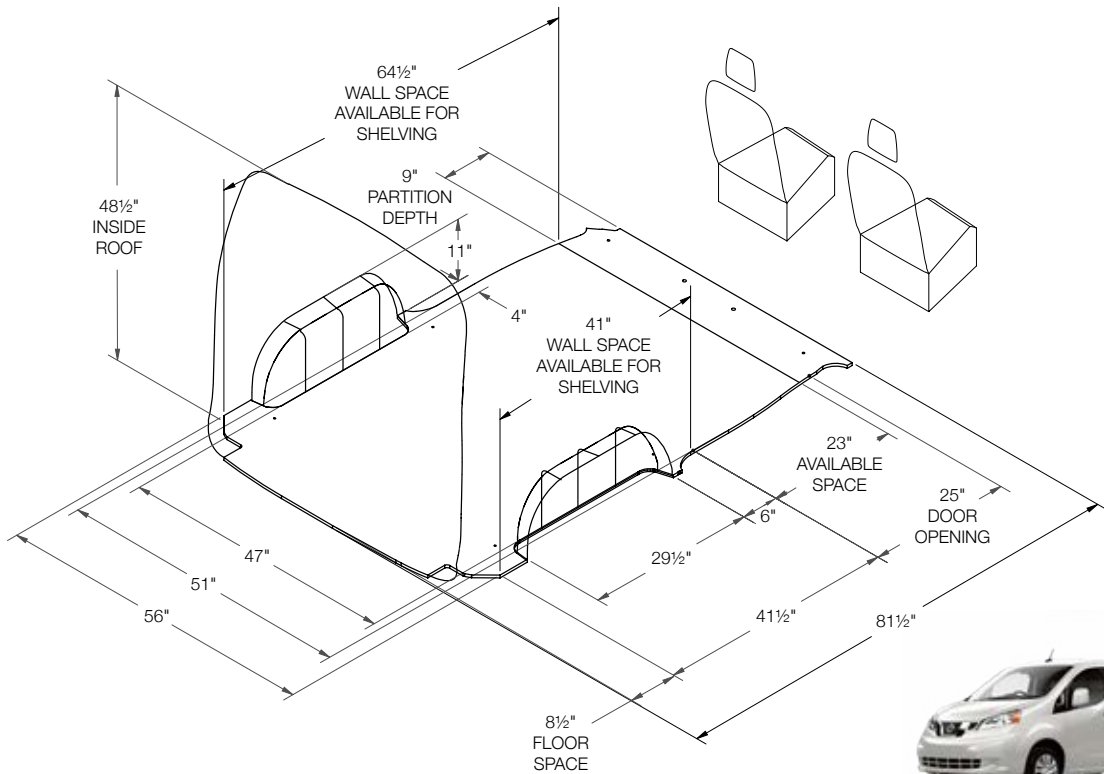
Extended 170" Wheelbase



NISSAN NV

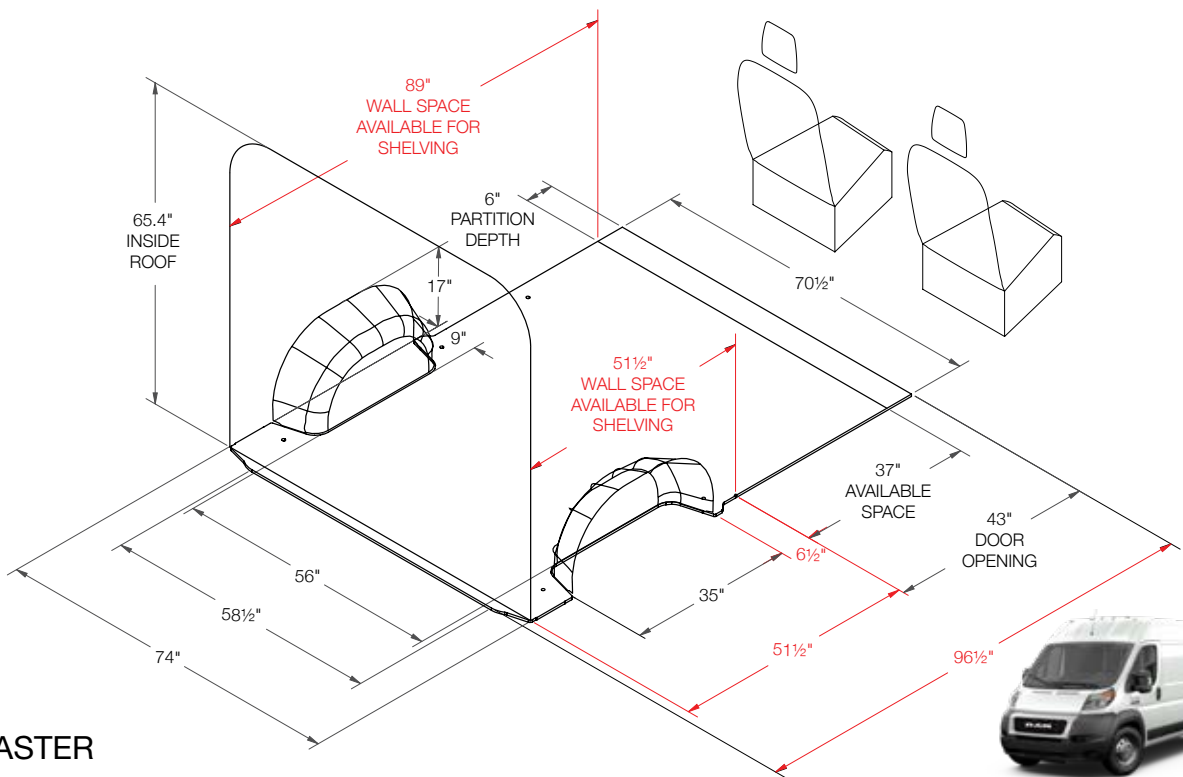
Standard 146" Wheelbase





**NISSAN
NV200**

Regular 115" Wheelbase

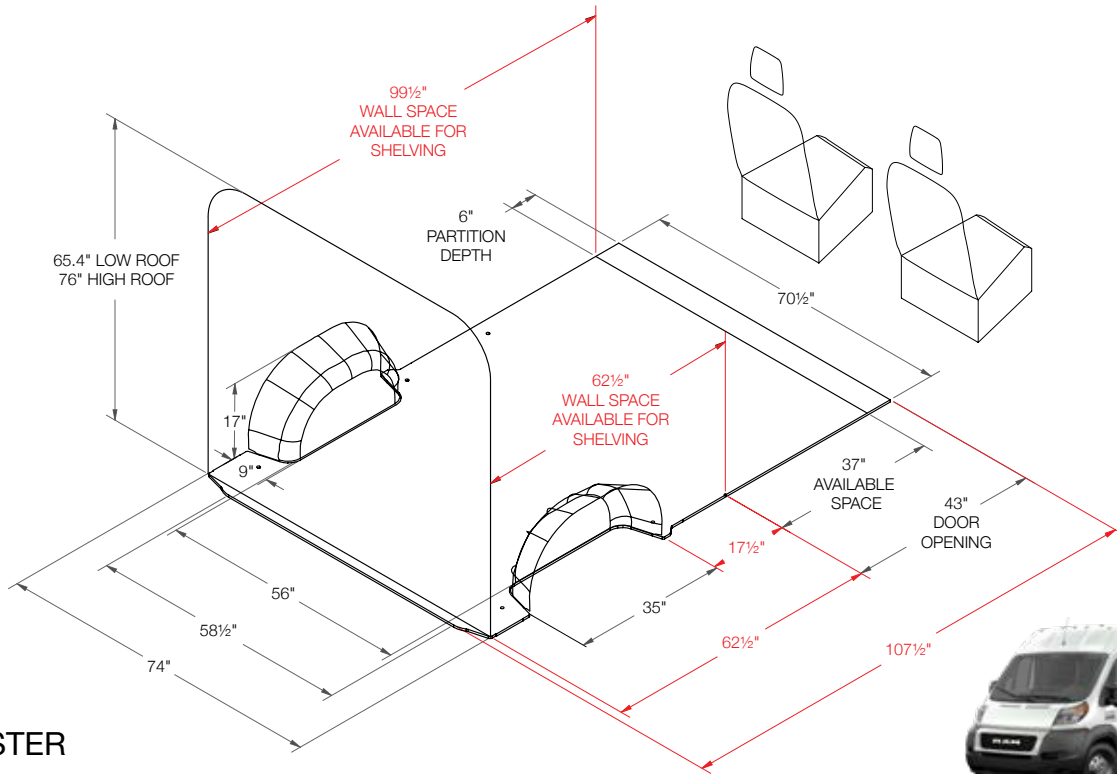


**RAM
PROMASTER**

Short 118" Wheelbase

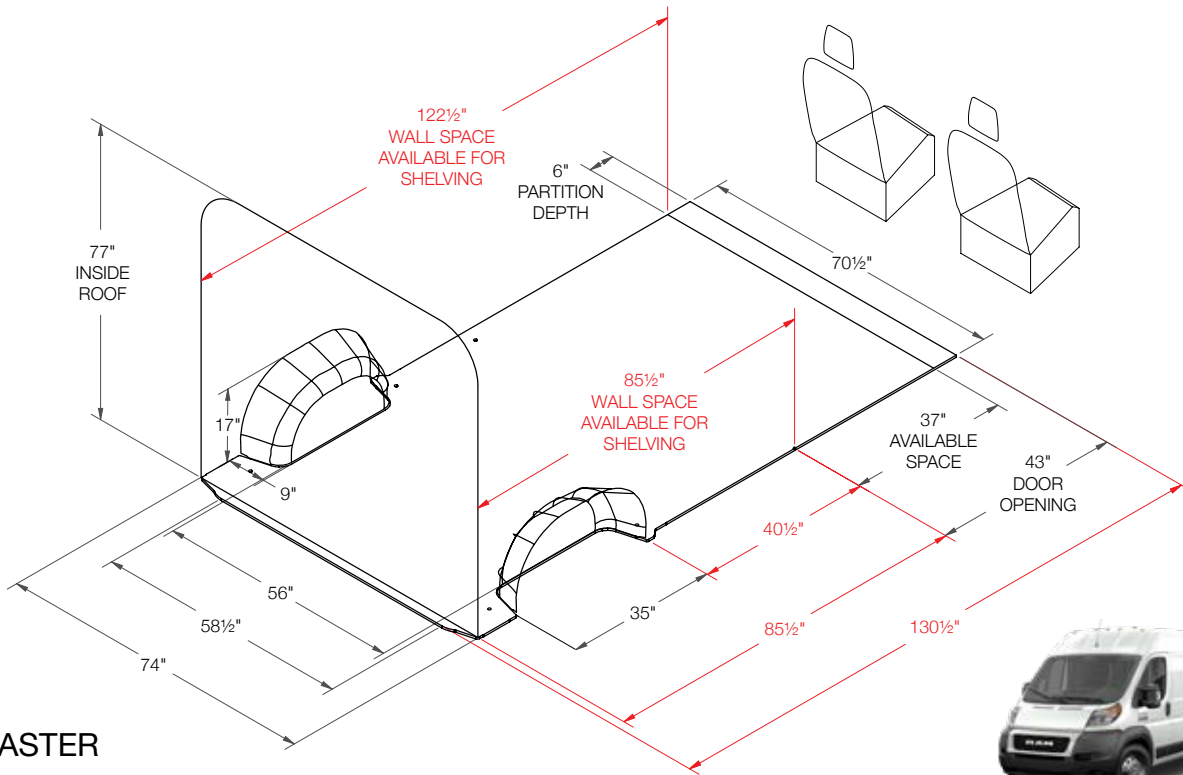


LAYOUT GUIDES



RAM PROMASTER

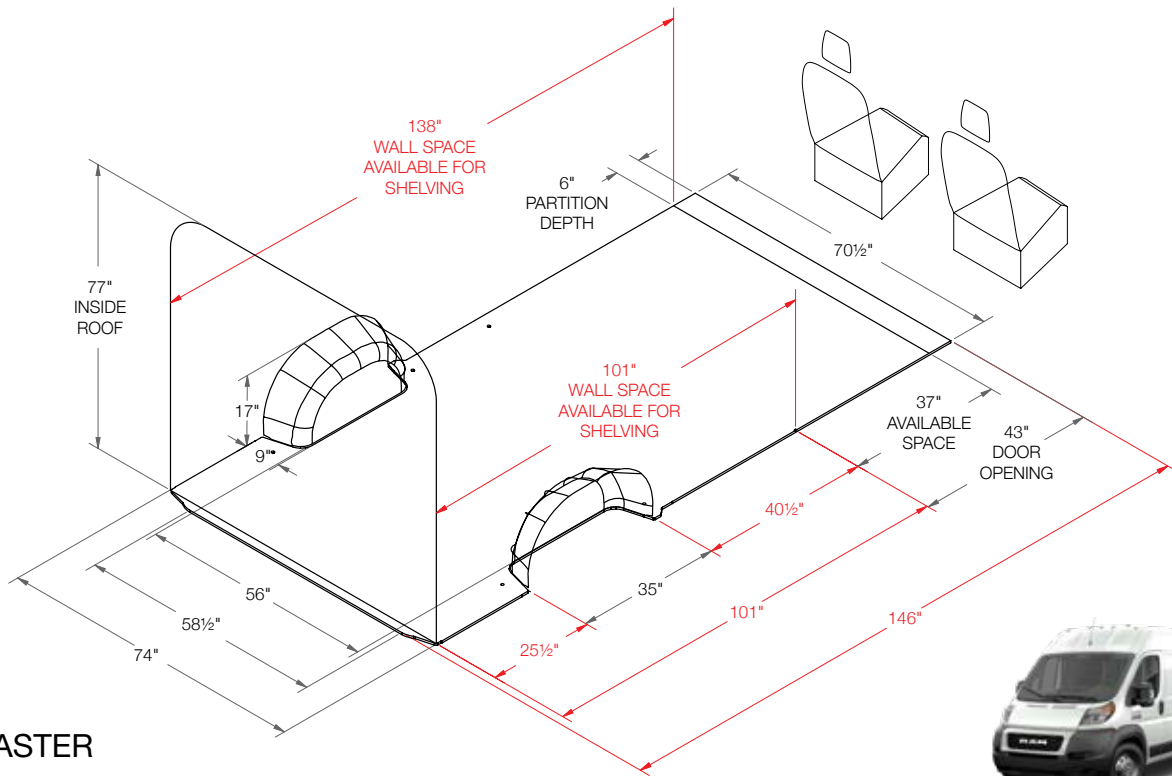
Medium 136" Wheelbase



RAM PROMASTER

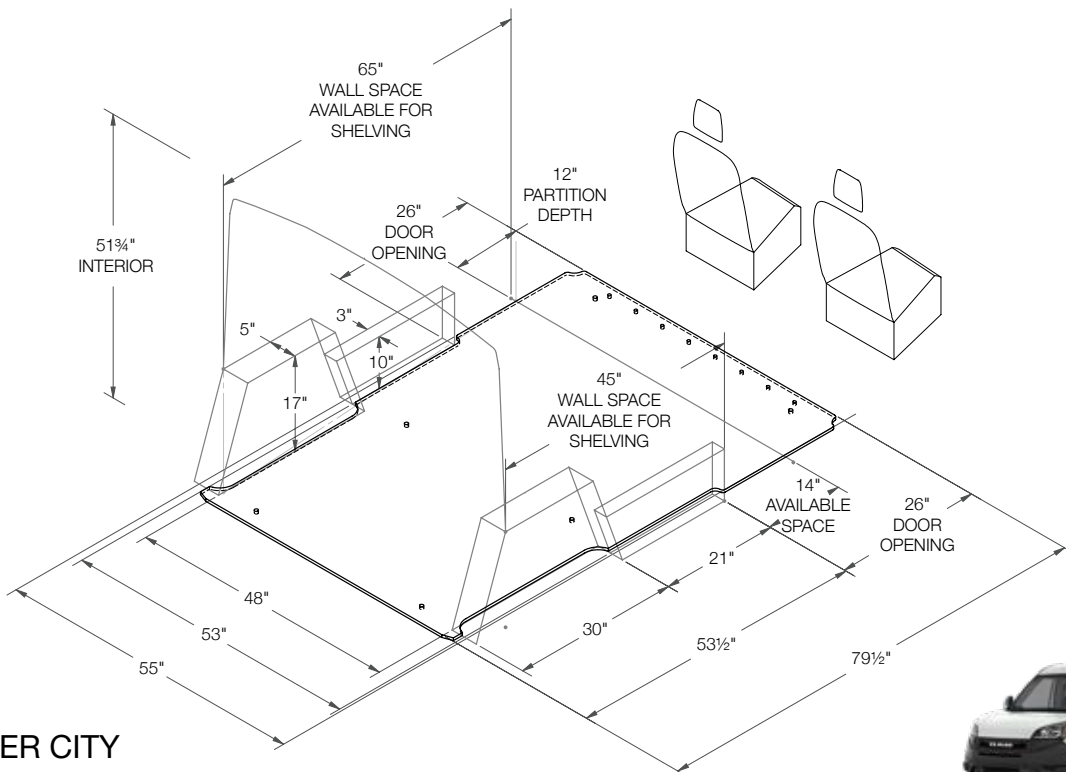
Long 159" Wheelbase





RAM PROMASTER

Extended 159" Wheelbase



RAM PROMASTER CITY

Standard 122" Wheelbase





VAN UPFIT PREP

Preparing for the installation of your upfit made easier



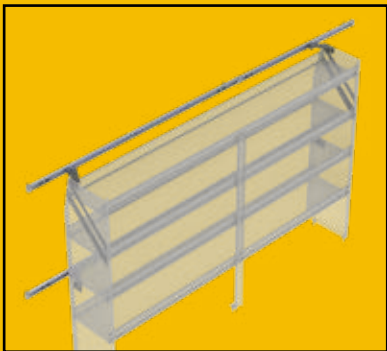
EFFICIENCY

Easy install that prevents damage to the factory floor.



SAFETY

Extruded aluminum joints where floor pieces meet.



QUICK INSTALL

Our install kits simplify your installation.

VAN UPFIT PREP

VAN FLOORS

CHEVROLET EXPRESS.....P. 24
 FORD TRANSIT..... P. 27
 FORD TRANSIT CONNECT..... P. 24
 GMC SAVANA..... P. 25
 MERCEDES-BENZ SPRINTER P. 25
 RAM PROMASTER P. 27
 RAM PROMASTER CITY..... P. 25

INSTALL KITS

DRIVER.....P. 28
 PASSENGER..... P. 29

VAN FLOORS

- › Easy to install with integrated mounting tracks
- › Compatible with Ranger Design’s shelving packages
- › Custom fit for almost all vans
- › Includes aluminum sills at the side and rear doors
- › No thermal expansion
- › Much safer due to load distribution
- › Quieter ride – reduces noise for the cargo area
- › 3 year warranty



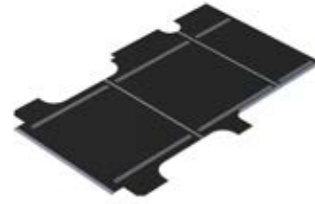
VAN UPFIT PREP – FLOORS

VAN UPFIT PREP

IT'S MORE THAN A FLOOR!



CHEVROLET EXPRESS ▶



6540-GSR
Chevrolet Express Floor

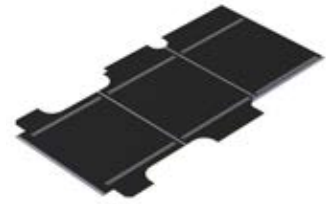
Marine-Grade Plywood

135"

74 lbs

1 hr

Yes



6540-GSX
Chevrolet Express Floor

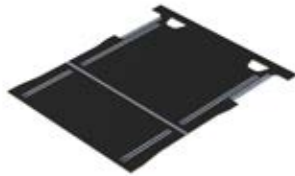
Marine-Grade Plywood

155" Ext.

89 lbs

1 hr

Yes



6540-FCS
Ford Transit Connect Floor

Marine-Grade Plywood

105"

33 lbs

0.7 hr

Yes



6540-FCL
Ford Transit Connect Floor

Marine-Grade Plywood

120.5"

42 lbs

0.7 hr

Yes



FORD TRANSIT CONNECT ▶

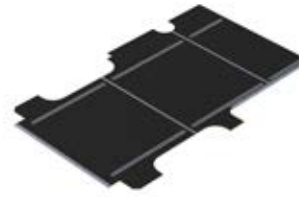
Impact and puncture resistant floors preserve the cargo van interior



Professional details – A clean, professional look that's easy to maintain



GMC
SAVANA



6540-GSR

GMC Savana Floor

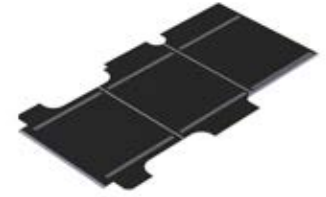
Marine-Grade Plywood

135"

74 lbs

1 hr

Yes



6540-GSX

GMC Savana Floor

Marine-Grade Plywood

155"

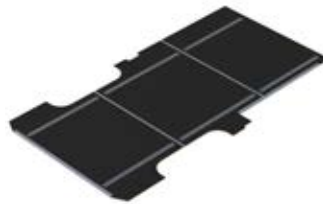
89 lbs

1 hr

Yes



MERCEDES-BENZ
SPRINTER



6540-DR

Mercedes-Benz Sprinter Floor

Marine-Grade Plywood

144"

86 lbs

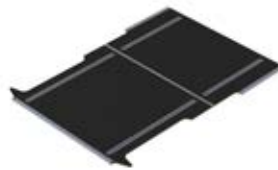
1 hr

Yes

Not designed for DRW (Dual Rear Wheel)



RAM
PROMASTER CITY



6540-PMC

RAM ProMaster City Floor,
for 2021 MY and newer

Marine-Grade Plywood

122"

46 lbs

0.7 hr

Yes



PROTECTION
Rigid floor covering protects cargo van floors from impact damage and scratches.

THE PERFECT FLOOR FOR YOUR EV

Ranger Design's unique E-Floor is designed to offer the best fit for both electric and gas powered vehicles. Its revolutionary concept offers an easy install that avoids all the wiring that runs just below the surface of the vehicle's OEM floor. This option also ensures a great resale value for your van in the future, as it leaves no permanent damage. As sturdy and effective as a regular floor, it simply offers more benefits for your EV!

WANT TO LEARN MORE?

CONTACT US AT

1-800-565-5321

FOR PRICING AND MORE!





FORD TRANSIT



6541-FTS

Ford Transit E-Floor

Marine-Grade Plywood

130"

70 lbs

1 hr

Yes



6541-FTL

Ford Transit E-Floor

Marine-Grade Plywood

148"

88 lbs

1 hr

Yes



6541-FTX

Ford Transit E-Floor

Marine-Grade Plywood

148" Ext.

109 lbs

1.3 hrs

Yes



RAM PROMASTER



6541-PS

RAM ProMaster E-Floor

Marine-Grade Plywood

118"

71 lbs

1 hr

Yes



6541-PM

RAM ProMaster E-Floor

Marine-Grade Plywood

136"

83 lbs

1 hr

Yes



6541-PL

RAM ProMaster E-Floor

Marine-Grade Plywood

159"

100 lbs

1 hr

Yes



6541-PX

RAM ProMaster E-Floor

Marine-Grade Plywood

159" Ext.

112 lbs

1.3 hrs

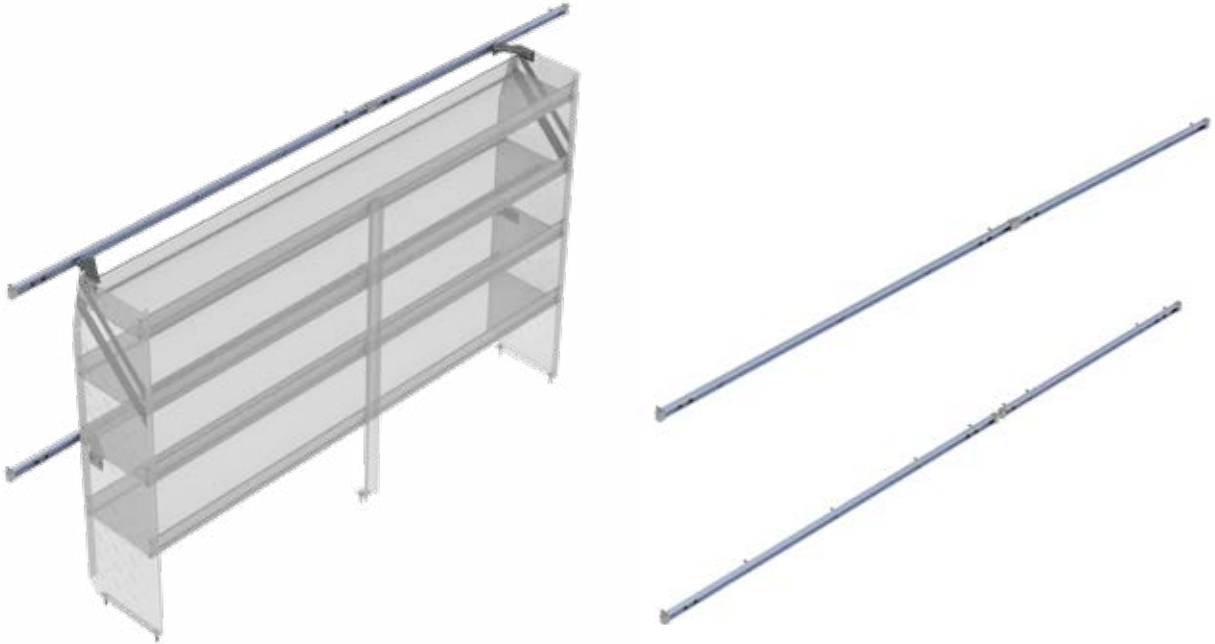
Yes



VAN UPFIT PREP – INSTALL KITS





INSTALL KITS

VAN UPFIT PREP



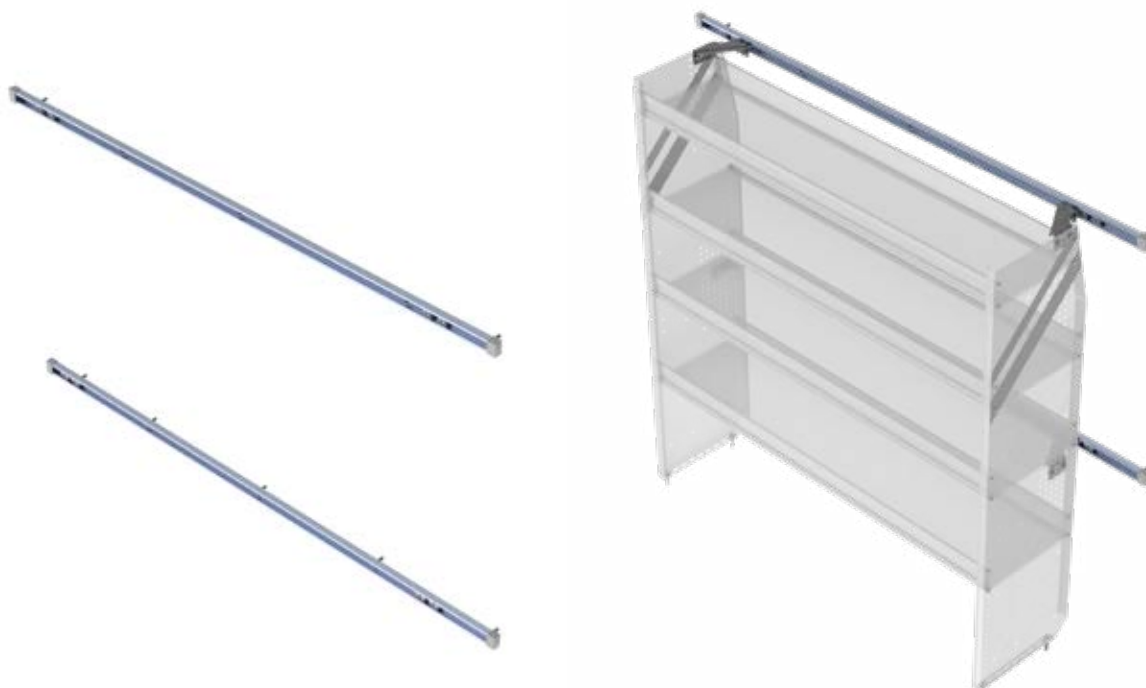
Install kits are optional and sold without the shelving unit

6550-FTL SHOWN HERE.

| Install Kit – Driver | | | | | | |
|----------------------|---------------|---|-----------------------------------|---|---|---|
| PART | VEHICLE |  | DESCRIPTION |  |  |  |
| 6550-FTL | FORD TRANSIT | 148" | Shelving install kit, driver side | 13 lbs | 0.3 hr | Yes |
| 6550-FTS | FORD TRANSIT | 130" | Shelving install kit, driver side | 12 lbs | 0.3 hr | Yes |
| 6550-FTX | FORD TRANSIT | 148" Ext | Shelving install kit, driver side | 16 lbs | 0.3 hr | Yes |
| 6550-PL | RAM PROMASTER | 159" | Install track kit, driver side | 13 lbs | – | Yes |
| 6550-PM | RAM PROMASTER | 136" | Install track kit, driver side | 11 lbs | – | Yes |
| 6550-PS | RAM PROMASTER | 118" | Install track kit, driver side | 8.9 lbs | – | Yes |
| 6550-PX | RAM PROMASTER | 159" Ext | Install track kit, driver side | 14 lbs | – | Yes |







VAN UPFIT PREP – INSTALL KITS



6555-FTL SHOWN HERE.

Install kits are optional and sold without the shelving unit

| Install Kit – Passenger | | | | | | |
|-------------------------|---------------|---|--------------------------------------|--|--|---|
| PART | VEHICLE |  Wheelbase | DESCRIPTION |  Weight |  Estimated Install Time |  Quickship |
| 6555-FTL | FORD TRANSIT | 148" | Shelving install kit, passenger side | 7.7 lbs | 0.4 hr | Yes |
| 6555-FTS | FORD TRANSIT | 130" | Shelving install kit, passenger side | 6 lbs | 0.4 hr | Yes |
| 6555-FTX | FORD TRANSIT | 148" Ext | Shelving install kit, passenger side | 11 lbs | 0.4 hr | Yes |
| 6555-PL | RAM PROMASTER | 159" | Shelving install kit, passenger side | 7.5 lbs | – | Yes |
| 6555-PM | RAM PROMASTER | 136" | Shelving install kit, passenger side | 5.5 lbs | – | Yes |
| 6555-PS | RAM PROMASTER | 118" | Shelving install kit, passenger side | 4.5 lbs | – | Yes |
| 6555-PX | RAM PROMASTER | 159" Ext | Shelving install kit, passenger side | 8.6 lbs | – | Yes |





VAN PARTITIONS

Our safety partitions protect the most important asset: you



SAFE

Designed for maximum impact resistance. Proven by impact testing.



EFFICIENT

1. Contoured to maintain seat travel and ensure driver comfort.
2. Contoured to capitalize on cargo area floor space.



QUIET

Thickness of material cancels vibrations.

VAN PARTITIONS

APPLICATION GUIDE P. 32

CONTOURED

CLEARSHIELD P. 35
 COMPOSITE PARTITION P. 35
 COMPOSITE WITH WINDOW P. 36
 CONTOURED FULL PARTITION P. 41
 CONTOURED WITH WINDOW P. 37
 CONTOURED WITH PERFORATED WINDOW P. 39
 CONTOURED WIRE MESH P. 43
 MAX VIEW P. 34

STRAIGHT

STRAIGHT MID POSITION P. 48
 STRAIGHT WITH PERFORATED WINDOW, NO ACCESS P. 44
 STRAIGHT WITH PERFORATED WINDOW, SWING DOOR P. 46
 STRAIGHT WITH WINDOW, SLIDING DOOR P. 47

WALK THROUGH

STRAIGHT WALK THROUGH PARTITION P. 49

ACCESSORIES P. 49

Ranger Design safety partitions provide a solid and secure barrier between the occupants of the van and the cargo.

Built from heavy gauge steel, aluminum or thermoformed ABS and polycarbonate, these partitions are designed for maximum impact resistance and uphold a standard of safety set only by Ranger Design products.

Ranger Design partitions also provide a more comfortable environment for the driver by giving more seat travel and by not rattling as the vehicle drives down the road.

Application Guide



| Type | Material | Chevrolet Express Standard Roof | Ford Transit Low Roof | Ford Transit Medium Roof | Ford Transit High Roof | Ford Transit Connect Standard Roof | GMC Savana Standard Roof |
|---|-----------|---------------------------------|-----------------------|--------------------------|------------------------|------------------------------------|--------------------------|
| Clearshield | Composite | - | - | - | - | 3520-M P. 35 | - |
| Contoured composite safety partition | Composite | - | - | 3310-FTM P. 36 | 3310-FTH P. 36 | - | - |
| Contoured composite safety partition with window | Composite | - | - | 3320-FTM P. 37 | 3320-FTH P. 37 | - | - |
| Contoured full safety partition | Aluminum | 3010-GS P. 42 | 3010-FTL P. 41 | 3010-FTM P. 41 | 3010-FTH P. 41 | 3010-TC P. 42 | 3010-GS P. 42 |
| Contoured full safety partition | Steel | C12-H P. 43 | C12-FTL P. 42 | - | - | C12-E P. 42 | C12-H P. 43 |
| Contoured safety partition with perforated window | Steel | C10-H P. 40 | C10-FTL P. 39 | - | - | C10-E P. 39 | C10-H P. 40 |
| Contoured safety partition with window | Aluminum | 3020-GS P. 38 | 3020-FTL P. 38 | 3020-FTM P. 38 | 3020-FTH P. 38 | 3020-TC P. 39 | 3020-GS P. 38 |
| Contoured wire mesh partition | Steel | - | - | - | - | C13-E P. 43 | - |
| Max View contoured safety partition | Composite | - | 3320-FTL P. 34 | - | - | 3320-TC P. 34 | - |
| Straight mid position safety partition | Aluminum | - | - | - | - | - | - |
| Straight mid position safety partition with window | Aluminum | - | - | - | - | - | - |
| Straight partition with perforated window, no access | Steel | C20-GS P. 45 | C20-FTL P. 44 | C20-FTM P. 45 | C20-FTH P. 44 | - | C20-GS P. 45 |
| Straight partition with perforated window, swing door | Steel | C30-GS P. 47 | C30-FTL P. 46 | C30-FTM P. 46 | C30-FTH P. 46 | - | C30-GS P. 47 |
| Straight partition with window, sliding door | Aluminum | - | - | 3068-FTM P. 48 | 3068-FTH P. 48 | - | - |
| Walk through straight partition | Steel | C24-GS P. 50 | C24-FTL P. 50 | C24-FTM P. 50 | C24-FTH P. 50 | - | C24-GS P. 50 |

VAN PARTITIONS



| Mercedes-Benz Metris Standard Roof | Mercedes-Benz Sprinter Low Roof | Mercedes-Benz Sprinter High Roof | Nissan NV Low Roof | Nissan NV High Roof | Nissan NV200 Standard Roof | Ram ProMaster Standard Roof | Ram ProMaster High Roof | Ram ProMaster City Standard Roof |
|------------------------------------|---------------------------------|----------------------------------|--------------------|---------------------|----------------------------|-----------------------------|-------------------------|----------------------------------|
| 3520-M P. 35 | - | - | - | - | - | - | - | 3520-M P. 35 |
| - | 3310-DL P. 35 | 3310-DH P. 35 | - | - | - | 3310-RP P. 36 | 3310-RP P. 36 | 3310-PC P. 36 |
| - | 3320-DL P. 36 | 3320-DH P. 36 | - | - | - | 3320-RP P. 37 | 3320-RP P. 37 | - |
| - | 3010-DL P. 41 | 3010-DH P. 41 | - | - | - | 3010-RP P. 42 | 3010-RP P. 42 | 3010-PC P. 42 |
| - | - | - | - | - | - | - | - | C12-PC P. 43 |
| C10-MM P. 40 | - | - | - | - | C10-W P. 40 | - | - | C10-PC P. 40 |
| - | 3020-DL P. 37 | 3020-DH P. 37 | - | - | - | 3020-RP P. 38 | 3020-RP P. 38 | 3020-PC P. 38 |
| C13-MM P. 43 | - | - | - | - | - | - | - | C13-PC P. 43 |
| 3320-MM P. 34 | - | - | - | - | - | - | - | 3320-PC P. 34 |
| - | - | 3015-DH P. 48 | - | - | - | - | - | - |
| - | - | 3025-DH P. 48 | - | - | - | - | - | - |
| - | C20-DL P. 44 | C20-DH P. 44 | C20-NL P. 45 | C20-NH P. 45 | - | C20-X P. 45 | C20-X P. 45 | - |
| - | C30-DL P. 46 | C30-DH P. 46 | - | - | - | C30-X P. 47 | C30-X P. 47 | - |
| - | 3068-DL P. 47 | 3068-DH P. 47 | - | - | - | 3068-RP P. 48 | 3068-RP P. 48 | - |
| - | C24-DL P. 49 | C24-DH P. 49 | - | - | - | C24-X P. 50 | C24-X P. 50 | - |

VAN PARTITIONS – CONTOURED

CONTOURED

CONTOURED MAX VIEW



3320-FTL

Ford Transit
Max View contoured safety partition

Composite

| | |
|--|----------|
| | Low Roof |
| | 50 lbs |
| | 1.5 hr |
| | Yes |
| | 8" |



3320-MM

Mercedes-Benz Metris
Max View contoured safety partition

Composite

| | |
|--|---------------|
| | Standard Roof |
| | 48 lbs |
| | 1.2 hrs |
| | Yes |
| | 9" |



3320-PC

Ram ProMaster City
Max view contoured safety partition

Composite

| | |
|--|---------------|
| | Standard Roof |
| | 42 lbs |
| | 1 hr |
| | Yes |
| | 7.1" |



3320-TC

Ford Transit Connect
Max View contoured safety partition

Composite



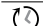


| | |
|--|---------------|
| | Standard Roof |
| | 36 lbs |
| | 1 hr |
| | Yes |
| | 8.4" |



3520-M

All Standard Minivans
ClearView germ barrier
partition for minivans

Composite

| | |
|---|-------------------|
|  | Standard Minivans |
|  | 10 lbs |
|  | 0.25 hr |
|  | No |
|  | – |



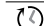


CONTOURED COMPOSITE



3310-DH

Mercedes-Benz Sprinter
Composite contoured safety partition

Composite



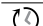


| | |
|---|-----------|
|  | High Roof |
|  | 70 lbs |
|  | 1 hr |
|  | Yes |
|  | 9" |



3310-DL

Mercedes-Benz Sprinter
Composite contoured safety partition

Composite

| | |
|---|----------|
|  | Low Roof |
|  | 65 lbs |
|  | 1 hr |
|  | Yes |
|  | 9" |



VAN PARTITIONS – CONTOURED



3310-FTH

Ford Transit
Composite contoured safety partition

Composite

High Roof

66 lbs

1 hr

Yes

9"



3310-FTM

Ford Transit
Composite contoured safety partition

Composite

Medium Roof

63 lbs

1 hr

Yes

9"



3310-PC

Ram ProMaster City
Contoured safety partition

Composite

Standard Roof

44 lbs

1 hr

No

7.1"



3310-RP

Ram ProMaster
Composite contoured safety partition

Composite

Standard/High Roof

64 lbs

1 hr

Yes

9"



3320-DH

Mercedes-Benz Sprinter
Composite contoured safety partition
with window

Composite

High Roof

71 lbs

1 hr

No

9"



3320-DL

Mercedes-Benz Sprinter
Composite contoured safety partition
with window

Composite

Low Roof

67 lbs

1 hr

No

9"



3320-FTH

Ford Transit
Composite contoured safety partition with window

| Composite | |
|-----------|--|
| High Roof | |
| 68 lbs | |
| 1 hr | |
| No | |
| 9" | |



3320-FTM

Ford Transit
Composite contoured safety partition with window

| Composite | |
|-------------|--|
| Medium Roof | |
| 65 lbs | |
| 1 hr | |
| No | |
| 9" | |



3320-RP

RAM ProMaster
Composite contoured safety partition with window

| Composite | |
|--------------------|--|
| Standard/High Roof | |
| 68 lbs | |
| 1 hr | |
| No | |
| 9" | |

CONTOURED WITH WINDOW



3020-DH

Mercedes-Benz Sprinter
Contoured safety partition with window

| Aluminum | |
|-----------|--|
| High Roof | |
| 66 lbs | |
| 1.2 hrs | |
| No | |
| 5.5" | |



3020-DL

Mercedes-Benz Sprinter
Contoured safety partition with window

| Aluminum | |
|----------|--|
| Low Roof | |
| 64 lbs | |
| 1.2 hrs | |
| No | |
| 5.5" | |

VAN PARTITIONS – CONTOURED



3020-FTH

Ford Transit
Contoured safety partition with window

Aluminum

High Roof

66 lbs

1 hr

Yes

8.32"



3020-FTL

Ford Transit
Contoured safety partition with window

Aluminum

Low Roof

48 lbs

1 hr

Yes

7.16"



3020-FTM

Ford Transit
Contoured safety partition with window

Aluminum

Medium Roof

52 lbs

1 hr

Yes

8.32"



3020-GS

Chevrolet Express, GMC Savana
Contoured safety partition with window

Aluminum

Standard Roof

49 lbs

1 hr

No

5.56"



3020-PC

Ram ProMaster City
Contoured safety partition with window

Aluminum

Standard Roof

41 lbs

1 hr

Yes

8.1"



3020-RP

Ram ProMaster
Contoured safety partition with window

Aluminum

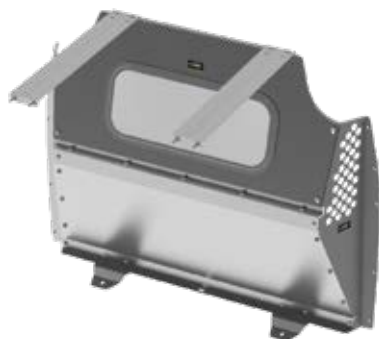
Standard / High Roof

59 lbs

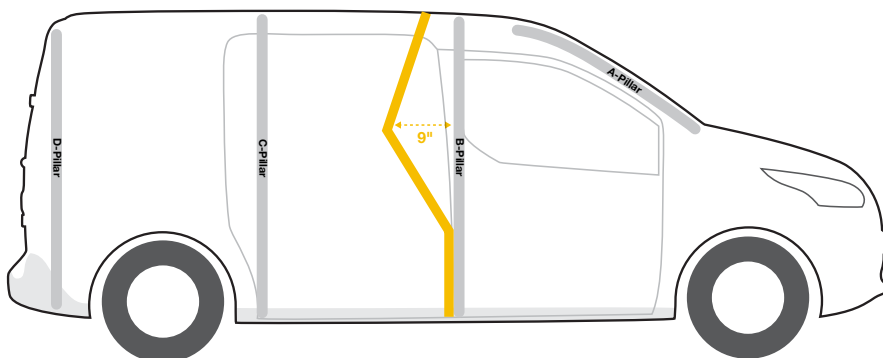
1 hr

Yes

6.07"



SETBACK FROM B PILLAR



3020-TC

Ford Transit Connect
Contoured safety partition with window

Aluminum

Standard Roof

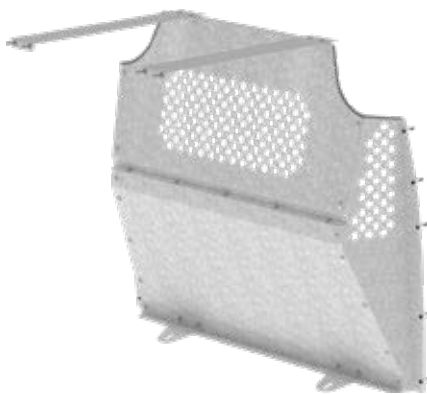
42 lbs

1 hr

Yes

10.75"

CONTOURED WITH PERFORATED WINDOW



C10-E

Ford Transit Connect
Contoured safety partition with perforated window

Steel

Standard Roof

53 lbs

1 hr

Yes

10.5"



C10-FTL

Ford Transit
Contoured safety partition with perforated window

Steel

Low Roof

66 lbs

1 hr

Yes

7.11"

VAN PARTITIONS – CONTOURED



C10-H

Chevrolet Express, GMC Savana
Contoured safety partition
with perforated window

Steel

| | |
|--|---------------|
| | Standard Roof |
| | 58 lbs |
| | 1 hr |
| | Yes |
| | 5.56" |

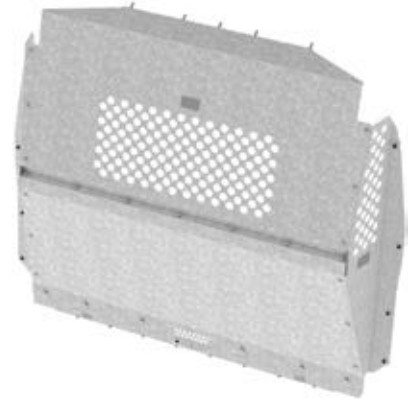


C10-MM

Mercedes-Benz Metris
Contoured safety partition
with perforated window

Steel

| | |
|--|---------------|
| | Standard Roof |
| | 62 lbs |
| | 1 hr |
| | Yes |
| | 11" |



C10-PC

Ram ProMaster City
Contoured safety partition
with perforated window

Steel

| | |
|--|---------------|
| | Standard Roof |
| | 63.3 lbs |
| | 1 hr |
| | Yes |
| | 8.05" |



C10-W

Nissan NV200
Contoured safety partition
with perforated window

Steel

| | |
|--|---------------|
| | Standard Roof |
| | 42 lbs |
| | 1 hr |
| | Yes |
| | 3.5" |



CONTOURED FULL PARTITION



3010-DH

Mercedes-Benz Sprinter
Contoured safety partition

Aluminum

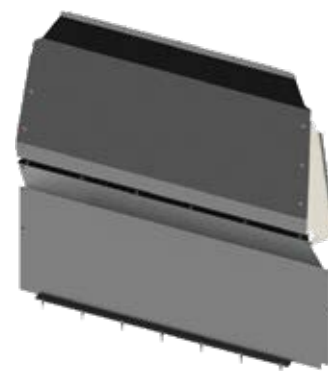
High Roof

59 lbs

1.2 hrs

Yes

5.5"



3010-DL

Mercedes-Benz Sprinter
Contoured safety partition

Aluminum

Low Roof

57 lbs

1.2 hrs

No

5.5"



3010-FTH

Ford Transit
Contoured safety partition

Aluminum

High Roof

57 lbs

1 hr

Yes

8.32"



3010-FTL

Ford Transit
Contoured safety partition

Aluminum

Low Roof

46 lbs

1 hr

Yes

7.16"



3010-FTM

Ford Transit
Contoured safety partition

Aluminum

Medium Roof

52 lbs

1 hr

Yes

8.32"

VAN PARTITIONS – CONTOURED



3010-GS

Chevrolet Express, GMC Savana
Contoured safety partition

Aluminum

Standard Roof

47 lbs

1 hr

Yes

5.56"



3010-PC

Ram ProMaster City
Contoured safety partition

Aluminum

Standard Roof

39 lbs

1 hr

Yes

8.1"



3010-RP

Ram ProMaster
Contoured safety partition

Aluminum

Standard / High Roof

62.8 lbs

1 hr

Yes

6.07"



3010-TC

Ford Transit Connect
Contoured safety partition

Aluminum

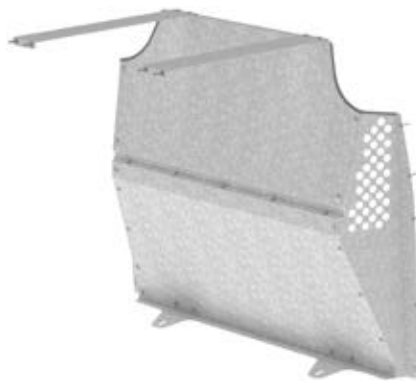
Standard Roof

39.75 lbs

1 hr

Yes

10.75"



C12-E

Ford Transit Connect
Contoured safety partition

Steel

Standard Roof

55 lbs

1 hr

Yes

10.5"



C12-FTL

Ford Transit
Contoured safety partition

Steel

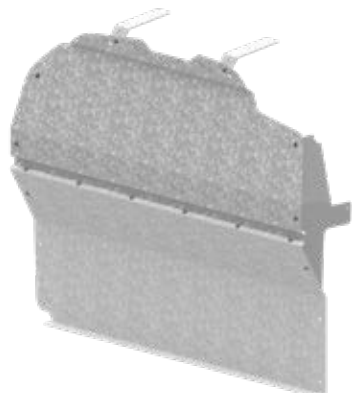
Low Roof

64 lbs

1 hr

Yes

7.11"



C12-H

Chevrolet Express, GMC Savana
Contoured safety partition

Steel

Standard Roof

53 lbs

1 hr

No

5.56"



C12-PC

Ram ProMaster City
Contoured safety partition

Steel

Standard Roof

86 lbs

1 hr

Yes

8.05"

CONTOURED WIRE MESH



C13-E

Ford Transit Connect
Contoured wire mesh partition

Steel

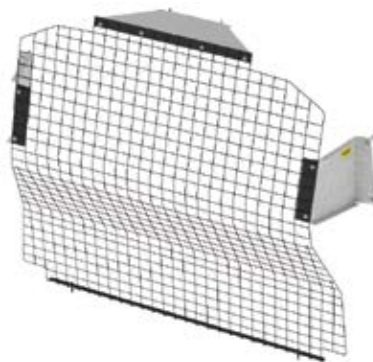
Standard Roof

37 lbs

0.7 hr

Yes

10.5"



C13-MM

Mercedes-Benz Metris
Contoured wire mesh partition

Steel

Standard Roof

37 lbs

1.2 hrs

Yes

11"



C13-PC

Ram ProMaster City
Contoured wire mesh partition

Steel

Standard Roof

72 lbs

1 hr

Yes

8.33"

VAN PARTITIONS – CONTOURED

STRAIGHT

STRAIGHT WITH PERFORATED WINDOW — NO ACCESS



C20-DH

Mercedes-Benz Sprinter
Straight partition with perforated window, no access

Steel

High Roof

89 lbs

1 hr

Yes

7.5"



C20-DL

Mercedes-Benz Sprinter
Straight partition with perforated window, no access

Steel

Low Roof

80 lbs

1 hr

Yes

7.5"



C20-FTH

Ford Transit
Straight partition with perforated window, no access

Steel

High Roof

92.1 lbs

1 hr

Yes

4.76"



C20-FTL

Ford Transit
Straight partition with perforated window, no access

Steel

Low Roof

64 lbs

1 hr

Yes

4.25"

VAN PARTITIONS – CONTOURED

VAN PARTITIONS



C20-FTM

Ford Transit

Straight partition with perforated window, no access

Steel

Medium Roof

77 lbs

1 hr

Yes

4.76"



C20-GS

Chevrolet Express, GMC Savana

Straight partition with perforated window, no access

Steel

Standard Roof

61 lbs

1.5 hr

Yes

6.75"



C20-NH

Nissan NV

Straight partition with perforated window, no access

Steel

High Roof

80 lbs

1.5 hrs

Yes

5.5"



C20-NL

Nissan NV

Straight partition with perforated window, no access

Steel

Low Roof

58 lbs

1 hr

Yes

5.5"



C20-X

Ram ProMaster

Straight partition with perforated window, no access

Steel

Standard / High Roof

78 lbs

1 hr

Yes

6.24"



LEGEND



Roof Height



Set Back from B Pillar



Weight



Estimated Install Time



Quickship

VAN PARTITIONS – STRAIGHT

STRAIGHT WITH PERFORATED WINDOW — SWING DOOR



C30-DH

Mercedes-Benz Sprinter

Straight partition with perforated window, swing door

Steel

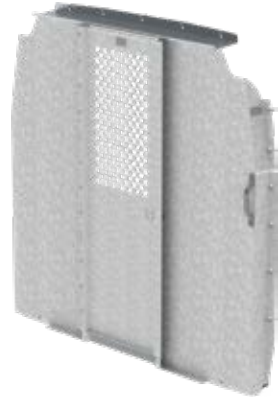
High Roof

92 lbs

1 hr

No

8"



C30-DL

Mercedes-Benz Sprinter

Straight partition with perforated window, swing door

Steel

Low Roof

83 lbs

1 hr

No

8"



C30-FTH

Ford Transit

Straight partition with perforated window, swing door

Steel

High Roof

86 lbs

1.5 hrs

Yes

4.96"



C30-FTL

Ford Transit

Straight partition with perforated window, swing door

Steel

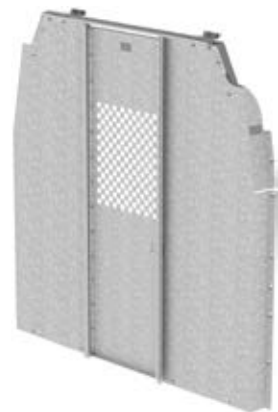
Low Roof

68 lbs

1.5 hrs

Yes

4.61"



C30-FTM

Ford Transit

Straight partition with perforated window, swing door

Steel

Medium Roof

79 lbs

1.5 hrs

Yes

4.96"



C30-GS

Chevrolet Express, GMC Savana

Straight partition with perforated window, swing door

Steel

Standard Roof

63.2 lbs

1 hr

Yes

6.75"



C30-X

Ram ProMaster

Straight partition with perforated window, swing door

Steel

Standard / High Roof

80 lbs

1 hr

Yes

6.24"



STRAIGHT WITH WINDOW — SLIDING DOOR



3068-DH

Mercedes-Benz Sprinter

Straight partition with window, sliding door

Aluminum

High Roof

97.9 lbs

1.5 hrs

Yes

8"



3068-DL

Mercedes-Benz Sprinter

Straight partition with window, sliding door

Aluminum

Low Roof

84 lbs

1.5 hrs

Yes

7.25"

VAN PARTITIONS – STRAIGHT



3068-FTH

Ford Transit

Straight partition with window, sliding door

Aluminum

High Roof

77 lbs

1.5 hrs

Yes

6.29"



3068-FTM

Ford Transit

Straight partition with window, sliding door

Aluminum

Medium Roof

84.2 lbs

1.5 hrs

Yes

6.29"



3068-RP

Ram ProMaster

Straight partition with window, sliding door

Aluminum

Standard / High Roof

76 lbs

1.5 hrs

Yes

6.26"

STRAIGHT MID POSITION



3015-DH

Mercedes-Benz Sprinter

Mid position straight safety partition

Aluminum

High Roof

59 lbs

1.2 hrs

No

2.5"



3025-DH

Mercedes-Benz Sprinter

Mid position straight safety partition with window

Aluminum

High Roof

66 lbs

1.2 hrs

No

2.5"

ACCESSORIES

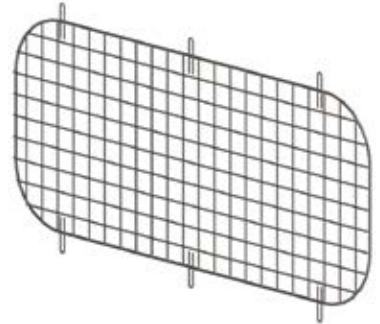


3024

Universal
Partition window with frame
for 3010

Aluminum

| |
|-----------|
| Universal |
| 5 lbs |
| 0.2 hr |
| No |



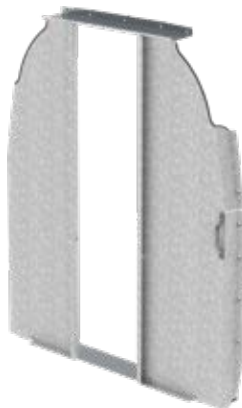
3044

Universal
Grill for partition window
for 3020, 3025, 3068

Steel

| |
|-----------|
| Universal |
| 2 lbs |
| 0.5 hr |
| No |

WALK THROUGH

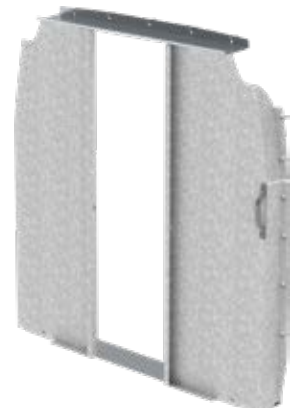


C24-DH

Mercedes-Benz Sprinter
Straight walk through partition

Steel

| |
|-----------|
| High Roof |
| 66 lbs |
| 1 hr |
| No |
| 7.5" |



C24-DL

Mercedes-Benz Sprinter
Straight walk through partition

Steel

| |
|----------|
| Low Roof |
| 61 lbs |
| 1 hr |
| No |
| 7.5" |

VAN PARTITIONS – STRAIGHT



C24-FTH

Ford Transit
Straight walk through partition

Steel

| |
|-----------|
| High Roof |
| 65 lbs |
| 1.2 hrs |
| Yes |
| 4.76" |



C24-FTL

Ford Transit
Straight walk through partition

Steel

| |
|----------|
| Low Roof |
| 48 lbs |
| 1.2 hrs |
| Yes |
| 4" |



C24-FTM

Ford Transit
Straight walk through partition

Steel

| |
|-------------|
| Medium Roof |
| 58 lbs |
| 1.2 hrs |
| Yes |
| 4.76" |



C24-GS

Chevrolet Express, GMC Savana
Straight walk through partition

Steel

| |
|---------------|
| Standard Roof |
| 46.5 lbs |
| 1 hr |
| Yes |
| 6.75" |



C24-X

Ram ProMaster
Straight walk through partition

Steel

| |
|----------------------|
| Standard / High Roof |
| 70 lbs |
| 1 hr |
| Yes |
| 6.24" |



VAN PARTITIONS – STRAIGHT





TRADE PACKAGES

Pre-engineered packages for a broad range of trades.



CHOICE

A range of steel and aluminum packages are available for each vehicle.



TRADE SPECIFIC

Packages are created with the specific trades in mind. Optimized for maximum productivity.



PERFECT FIT

Engineered to optimize space. Layout designed to ensure that all tools are well within reach.

TRADE PACKAGES

BOX TRUCK, STEP VAN & TRAILER P. 54

CHEVROLET

EXPRESS P. 61

FORD

TRANSIT P. 68

TRANSIT CONNECT P. 82

GMC

SAVANA P. 89

MERCEDES-BENZ

METRIS P. 96

SPRINTER P. 103

RAM

PROMASTER P. 114

PROMASTER CITY P. 121

Get more out of your work van: Ranger Design packages are designed specifically with your trade in mind. Our aim is to ensure that your most frequently used tools and equipment are well within reach.

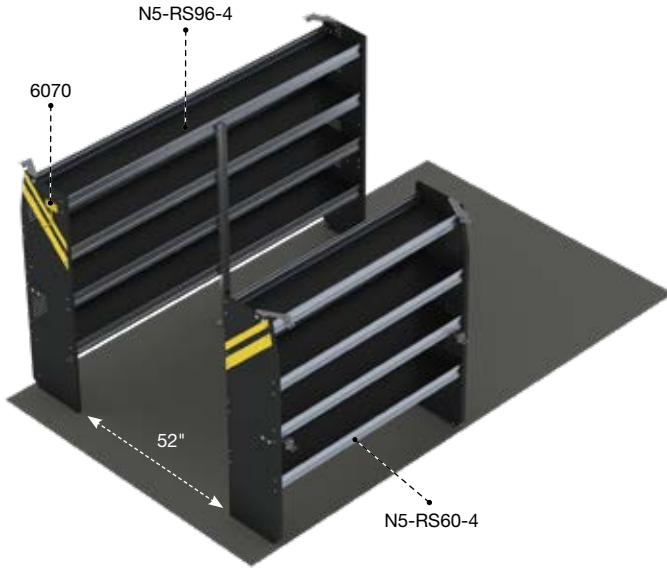
Do you see a way that we can improve our packages? We appreciate your feedback! Contact our customer service team at **1-800-565-5321**.



BOX TRUCK STEP VAN & TRAILER



PACKAGES

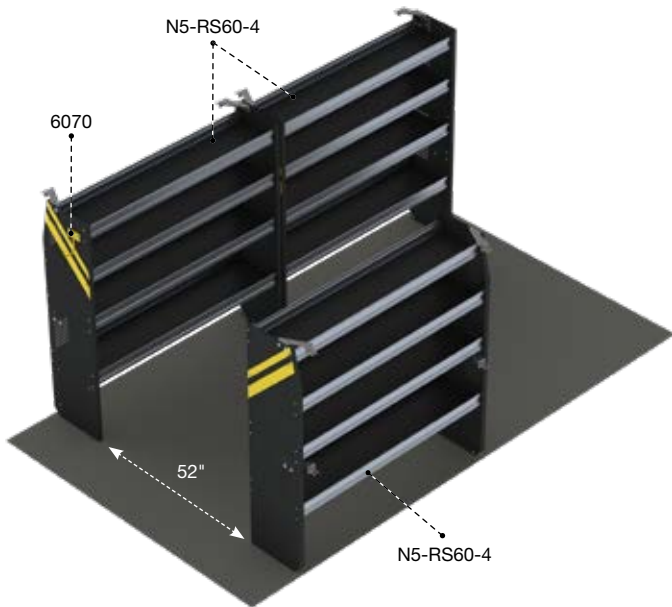


BTS-10 CONTRACTOR

| | | |
|---------|-----------|-----------|
| Steel | Short 10+ | High Roof |
| 211 lbs | 2.8 hrs | Yes |

| Qty | Part | Description |
|-----|-----------|--|
| 1 | 6070 | 6" Hook, 3" opening, painted |
| 1 | N5-RS60-4 | Steel shelving unit for high roof van, 14" D x 60" W x 62" H |
| 1 | N5-RS96-4 | Steel shelving unit for high roof van, 14" D x 96" W x 62" H |

Aisle space calculated for this package is based on an 84" wide box.



BTL-10 CONTRACTOR

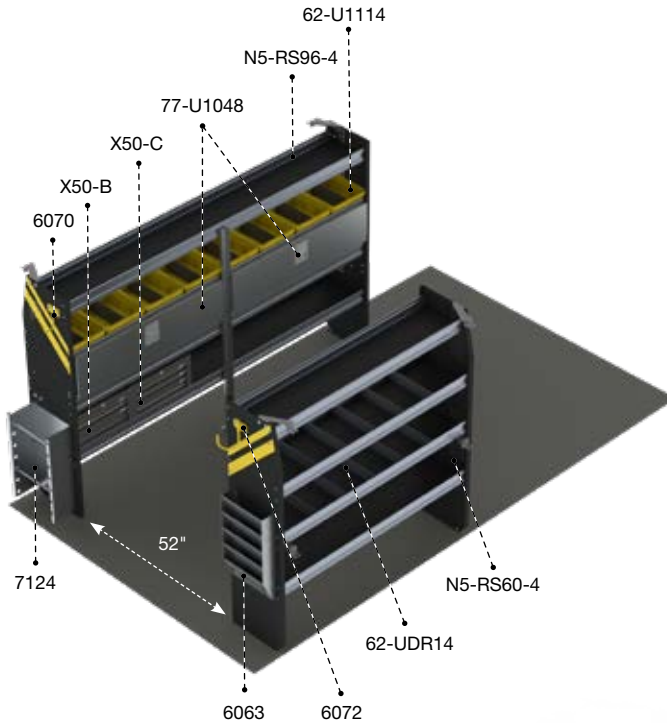
| | | |
|---------|----------|-----------|
| Steel | Long 14+ | High Roof |
| 266 lbs | 3.8 hrs | Yes |

| Qty | Part | Description |
|-----|-----------|--|
| 1 | 6070 | 6" Hook, 3" opening, painted |
| 3 | N5-RS60-4 | Steel shelving unit for high roof van, 14" D x 60" W x 62" H |

Aisle space calculated for this package is based on an 84" wide box.



BOX TRUCK STEP VAN & TRAILER



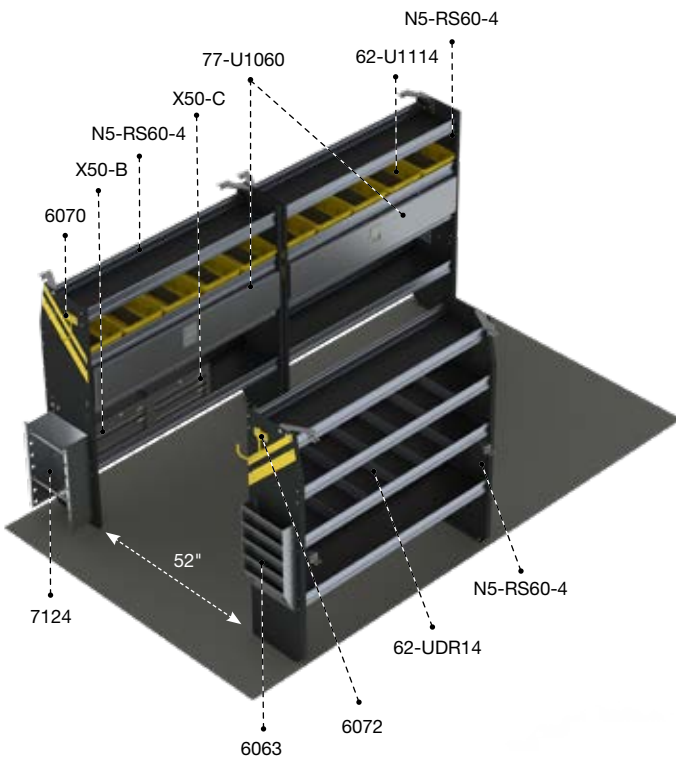
BTS-11
ELECTRICAL

| | | | | | |
|--|---------|--|-----------|--|-----------|
| | Steel | | Short 10+ | | High Roof |
| | 324 lbs | | 5.3 hrs | | Yes |

| Qty | Part | Description |
|-----|-----------|---|
| 1 | 6063 | Paper holder, extra deep, 5 slots |
| 1 | 6070 | 6" Hook, 3" opening, painted |
| 1 | 6072 | 8" Swivel hook, 4" opening, painted |
| 8 | 62-U1114 | 14" Deep plastic bin |
| 2 | 62-UDR14 | Set of 5 dividers for a 14" shelf |
| 1 | 7124 | Reel holder with two 5/8" diameter rods |
| 2 | 77-U1048 | Adjustable shelving door unit - 45" W - for 48" & 96" shelves |
| 1 | N5-RS60-4 | Steel shelving unit for high roof van, 14" D x 60" W x 62" H |
| 1 | N5-RS96-4 | Steel shelving unit for high roof van, 14" D x 96" W x 62" H |
| 1 | X50-B | Compact 2-drawer unit |
| 1 | X50-C | Compact 3-drawer unit |

Aisle space calculated for this package is based on an 84" wide box.

PACKAGES



BTL-11
ELECTRICAL

| | | | | | |
|--|---------|--|----------|--|-----------|
| | Steel | | Long 14+ | | High Roof |
| | 386 lbs | | 6.3 hrs | | Yes |

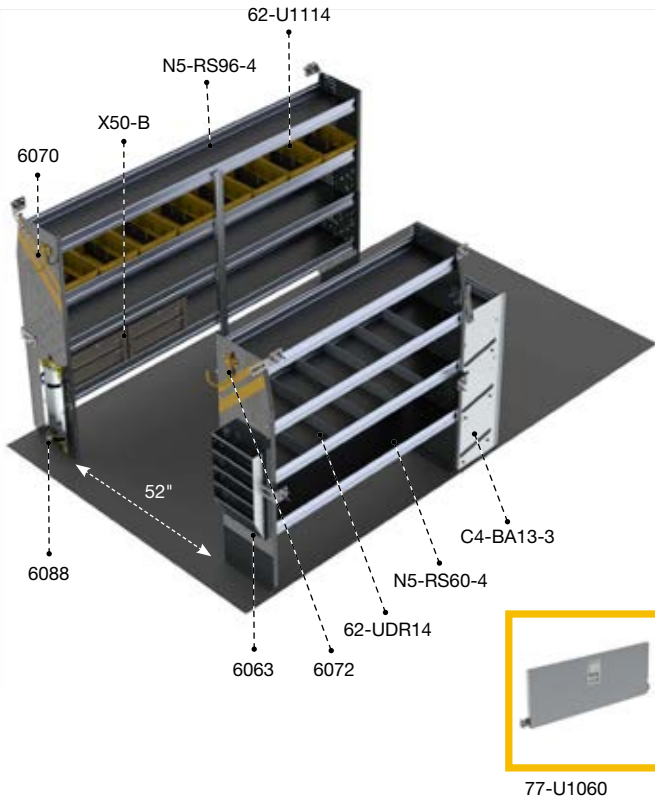
| Qty | Part | Description |
|-----|-----------|--|
| 1 | 6063 | Paper holder, extra deep, 5 slots |
| 1 | 6070 | 6" Hook, 3" opening, painted |
| 1 | 6072 | 8" Swivel hook, 4" opening, painted |
| 10 | 62-U1114 | 14" Deep plastic bin |
| 2 | 62-UDR14 | Set of 5 dividers for a 14" shelf |
| 1 | 7124 | Reel holder with two 5/8" diameter rods |
| 2 | 77-U1060 | Adjustable shelving door unit - 57" W - for 60" shelves |
| 3 | N5-RS60-4 | Steel shelving unit for high roof van, 14" D x 60" W x 62" H |
| 1 | X50-B | Compact 2-drawer unit |
| 1 | X50-C | Compact 3-drawer unit |

Aisle space calculated for this package is based on an 84" wide box.



BOX TRUCK STEP VAN & TRAILER

PACKAGES



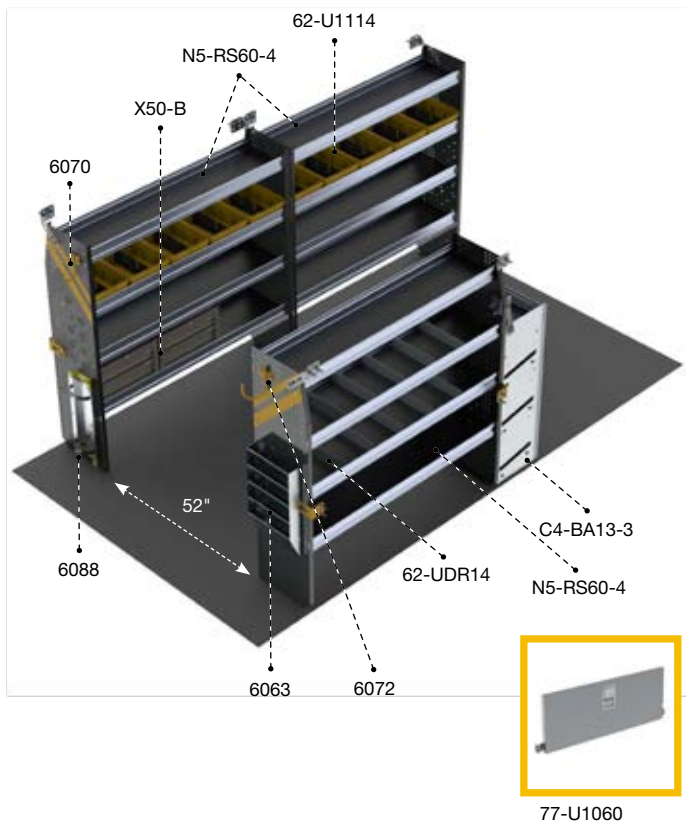
BTS-12 HVAC

| | | | | | |
|--|---------|--|-----------|--|-----------|
| | Steel | | Short 10+ | | High Roof |
| | 334 lbs | | 5.1 hrs | | Yes |

| Qty | Part | Description |
|-----|------------------|--|
| 1 | C4-BA13-3 | 3 Tier refrigerant rack for large bottles |
| 1 | 6063 | Paper holder, extra deep, 5 slots |
| 1 | 6070 | 6" Hook, 3" opening, painted |
| 1 | 6072 | 8" Swivel hook, 4" opening, painted |
| 1 | 6088 | Large aluminum bottle holder, with two black nylon straps |
| 8 | 62-U1114 | 14" Deep plastic bin |
| 2 | 62-UDR14 | Set of 5 dividers for a 14" shelf |
| 1 | 77-U1060 | Adjustable shelving door unit - 57" W - for 60" shelves |
| 1 | N5-RS60-4 | Steel shelving unit for high roof van, 14" D x 60" W x 62" H |
| 1 | N5-RS96-4 | Steel shelving unit for high roof van, 14" D x 96" W x 62" H |
| 2 | X50-B | Compact 2-drawer unit |

Aisle space calculated for this package is based on an 84" wide box.

Packages BTS-12 and BTL-12 are designed for boxes with side access. For boxes with no side access, it is recommended to reposition the C4-BA13-3 bottle rack.



BTL-12 HVAC

| | | | | | |
|--|---------|--|----------|--|-----------|
| | Steel | | Long 14+ | | High Roof |
| | 393 lbs | | 6.1 hrs | | Yes |

| Qty | Part | Description |
|-----|------------------|--|
| 1 | C4-BA13-3 | 3 Tier refrigerant rack for large bottles |
| 1 | 6063 | Paper holder, extra deep, 5 slots |
| 1 | 6070 | 6" Hook, 3" opening, painted |
| 1 | 6072 | 8" Swivel hook, 4" opening, painted |
| 1 | 6088 | Large aluminum bottle holder, with two black nylon straps |
| 10 | 62-U1114 | 14" Deep plastic bin |
| 2 | 62-UDR14 | Set of 5 dividers for a 14" shelf |
| 1 | 77-U1060 | Adjustable shelving door unit - 57" W - for 60" shelves |
| 3 | N5-RS60-4 | Steel shelving unit for high roof van, 14" D x 60" W x 62" H |
| 2 | X50-B | Compact 2-drawer unit |

Aisle space calculated for this package is based on an 84" wide box.



HVAC BTL-12

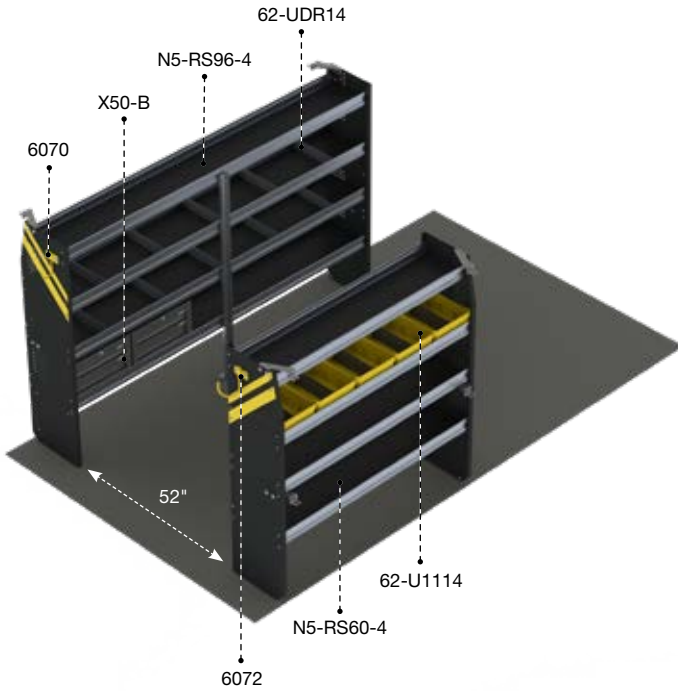
BOX TRUCK STEP VAN & TRAILER





BOX TRUCK STEP VAN & TRAILER

PACKAGES

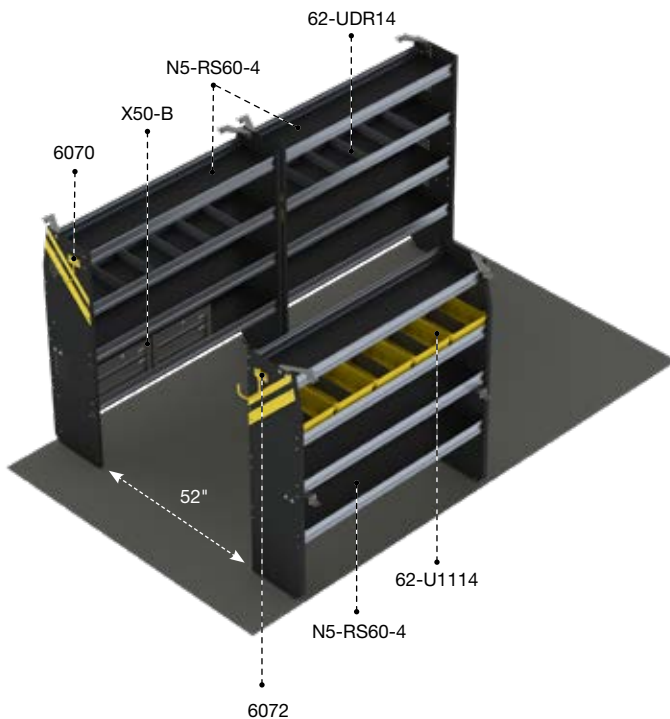


BTS-16 SERVICE

| | | |
|---------|-----------|-----------|
| Steel | Short 10+ | High Roof |
| 281 lbs | 3.6 hrs | Yes |

| Qty | Part | Description |
|-----|-----------|--|
| 1 | 6070 | 6" Hook, 3" opening, painted |
| 1 | 6072 | 8" Swivel hook, 4" opening, painted |
| 5 | 62-U1114 | 14" Deep plastic bin |
| 2 | 62-UDR14 | Set of 5 dividers for a 14" shelf |
| 1 | N5-RS60-4 | Steel shelving unit for high roof van, 14" D x 60" W x 62" H |
| 1 | N5-RS96-4 | Steel shelving unit for high roof van, 14" D x 96" W x 62" H |
| 2 | X50-B | Compact 2-drawer unit |

Aisle space calculated for this package is based on an 84" wide box.



BTL-16 SERVICE

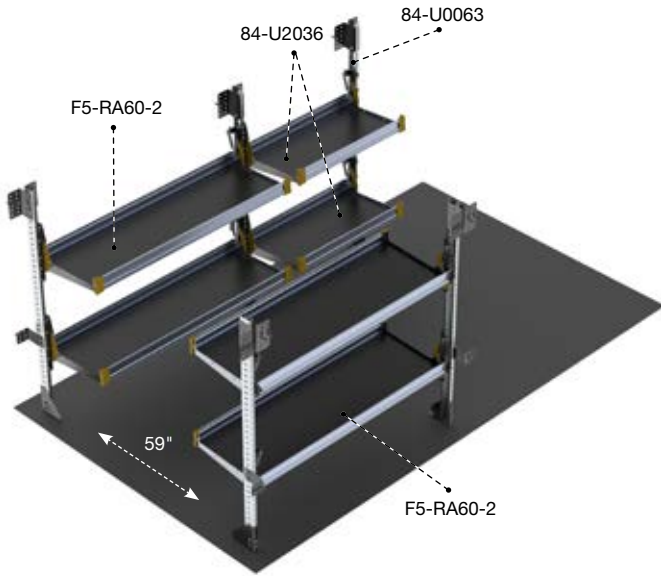
| | | |
|---------|----------|-----------|
| Steel | Long 14+ | High Roof |
| 336 lbs | 4.6 hrs | Yes |

| Qty | Part | Description |
|-----|-----------|--|
| 1 | 6070 | 6" Hook, 3" opening, painted |
| 1 | 6072 | 8" Swivel hook, 4" opening, painted |
| 5 | 62-U1114 | 14" Deep plastic bin |
| 2 | 62-UDR14 | Set of 5 dividers for a 14" shelf |
| 3 | N5-RS60-4 | Steel shelving unit for high roof van, 14" D x 60" W x 62" H |
| 2 | X50-B | Compact 2-drawer unit |

Aisle space calculated for this package is based on an 84" wide box.



BOX TRUCK STEP VAN & TRAILER



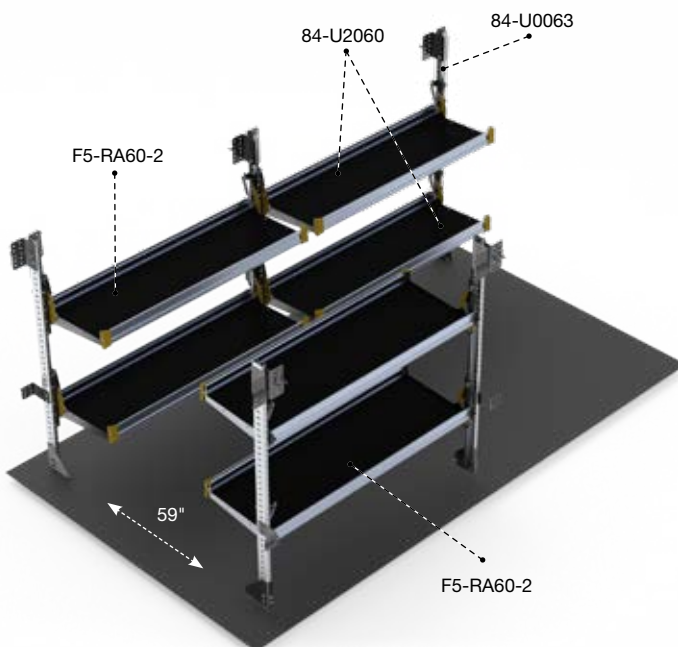
BTS-19
DELIVERY

| | | |
|----------|-----------|-----------|
| Aluminum | Short 10+ | High Roof |
| 212 lbs | 4.3 hrs | Yes |

| Qty | Part | Description |
|-----|-----------|---|
| 1 | 84-U0063 | Post assembly for fold-away shelving 63" |
| 2 | 84-U2036 | Fold-away shelf tray, 20" D x 36" W |
| 2 | F5-RA60-2 | Fold-away unit, 2 levels, 25" D x 60" W x 63" H |

Aisle space calculated for this package is based on an 84" wide box.

PACKAGES



BTL-19
DELIVERY

| | | |
|----------|----------|-----------|
| Aluminum | Long 14+ | High Roof |
| 226 lbs | 4.3 hrs | Yes |

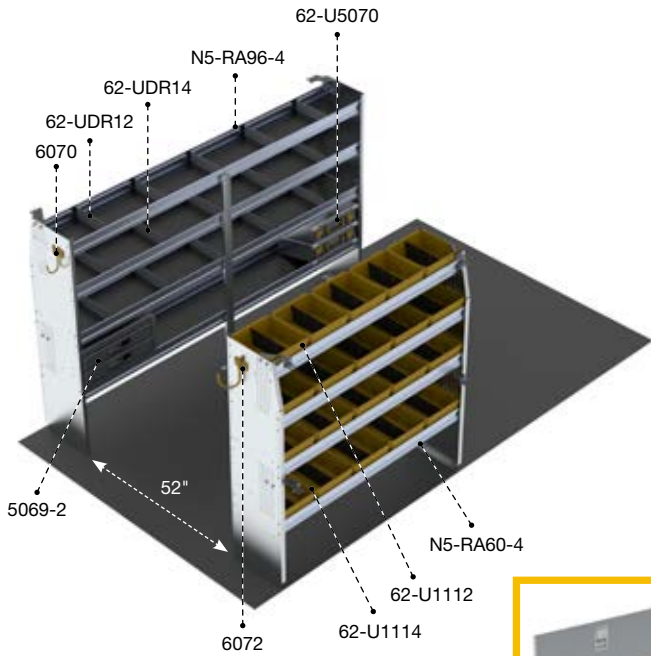
| Qty | Part | Description |
|-----|-----------|---|
| 1 | 84-U0063 | Post assembly for fold-away shelving 63" |
| 2 | 84-U2060 | Fold-away shelf tray, 60" W x 20" D |
| 2 | F5-RA60-2 | Fold-away unit, 2 levels, 25" D x 60" W x 63" H |

Aisle space calculated for this package is based on an 84" wide box.

BOX TRUCK STEP VAN & TRAILER



PACKAGES



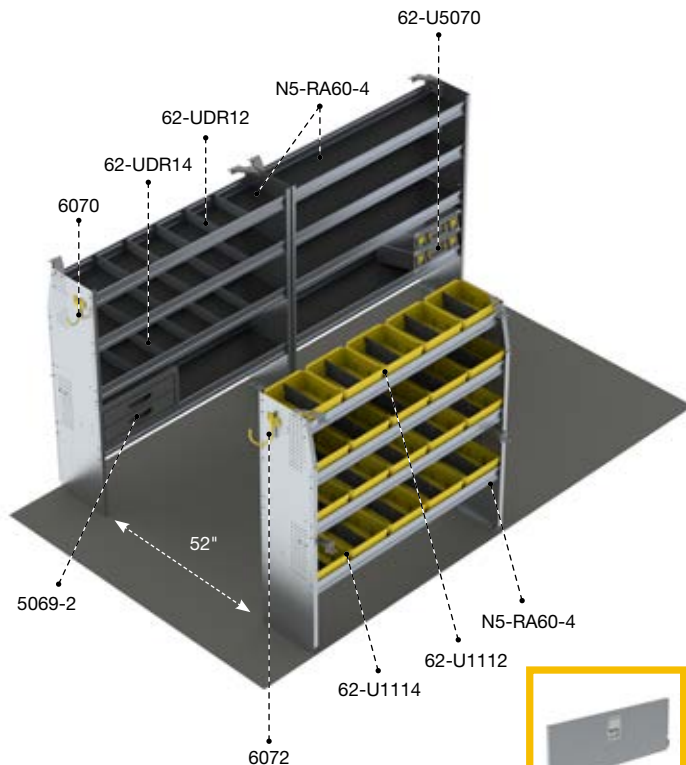
77-U1060

BTS-27 ALUMINUM

| | | |
|----------|-----------|-----------|
| Aluminum | Short 10+ | High Roof |
| 293 lbs | 4.6 hrs | Yes |

| Qty | Part | Description |
|-----|-----------|--|
| 1 | 5069-2 | 2 Drawer cabinet |
| 2 | 62-U5070 | Partskeeper carry case with holder |
| 1 | 6070 | 6" Hook, 3" opening, painted |
| 1 | 6072 | 8" Swivel hook, 4" opening, painted |
| 5 | 62-U1112 | 12" Deep plastic bin |
| 15 | 62-U1114 | 14" Deep plastic bin |
| 1 | 62-UDR12 | Set of 5 dividers for a 12" shelf |
| 2 | 62-UDR14 | Set of 5 dividers for a 14" shelf |
| 1 | 77-U1060 | Adjustable shelving door unit - 57" W - for 60" shelves |
| 1 | N5-RA60-4 | Aluminum shelving unit high roof van, 60", 14"D x 60" W x 62"H |
| 1 | N5-RA96-4 | Aluminum shelving unit high roof van, 96", 14"D x 96" W x 62"H |

Aisle space calculated for this package is based on an 84" wide box.



77-U1060

BTL-27 ALUMINUM

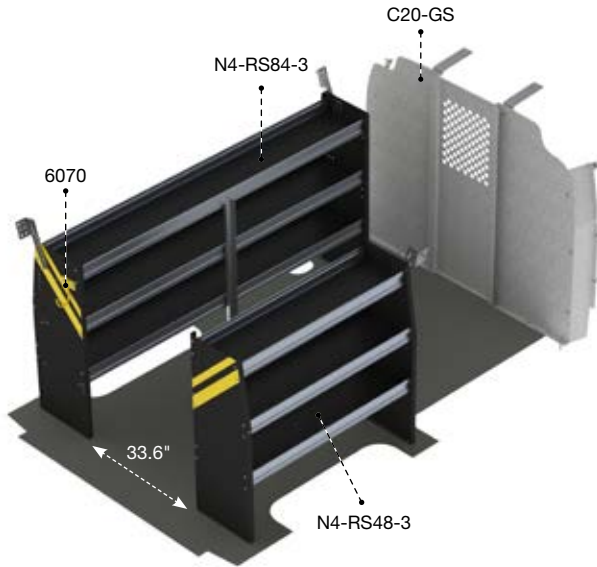
| | | |
|----------|----------|-----------|
| Aluminum | Long 14+ | High Roof |
| 400 lbs | 6.8 hrs | Yes |

| Qty | Part | Description |
|-----|-----------|--|
| 1 | 5069-2 | 2 Drawer cabinet |
| 2 | 62-U5070 | Partskeeper carry case with holder |
| 1 | 6070 | 6" Hook, 3" opening, painted |
| 1 | 6072 | 8" Swivel hook, 4" opening, painted |
| 5 | 62-U1112 | 12" Deep plastic bin |
| 15 | 62-U1114 | 14" Deep plastic bin |
| 1 | 62-UDR12 | Set of 5 dividers for a 12" shelf |
| 2 | 62-UDR14 | Set of 5 dividers for a 14" shelf |
| 1 | 77-U1060 | Adjustable shelving door unit - 57" W - for 60" shelves |
| 3 | N5-RA60-4 | Aluminum shelving unit high roof van, 60", 14"D x 60" W x 62"H |

Aisle space calculated for this package is based on an 84" wide box.



CHEVROLET EXPRESS

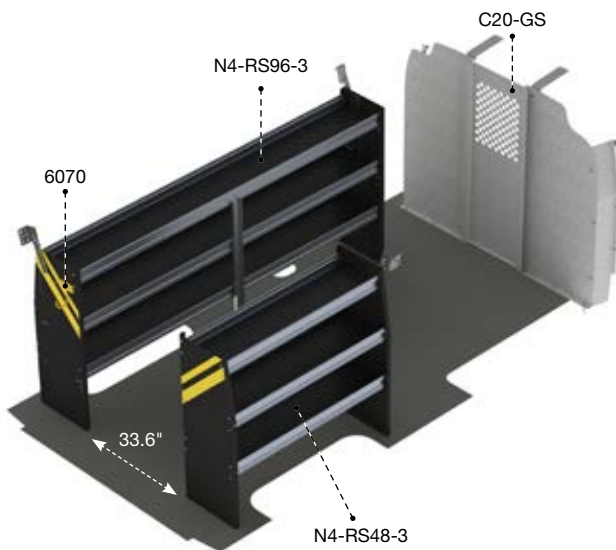


GSR-10 CONTRACTOR

| | | |
|---------|---------|----------|
| Steel | 135" | Standard |
| 203 lbs | 3.8 hrs | Yes |

| Qty | Part | Description |
|-----|-----------|--|
| 1 | 6070 | 6" Hook, 3" opening, painted |
| 1 | C20-GS | Straight steel partition with perforated window, no access |
| 1 | N4-RS48-3 | Steel shelving unit for low roof van 14" D x 48" W x 44.5" H |
| 1 | N4-RS84-3 | Steel shelving unit for low roof van 14" D x 84" W x 44.5" H |

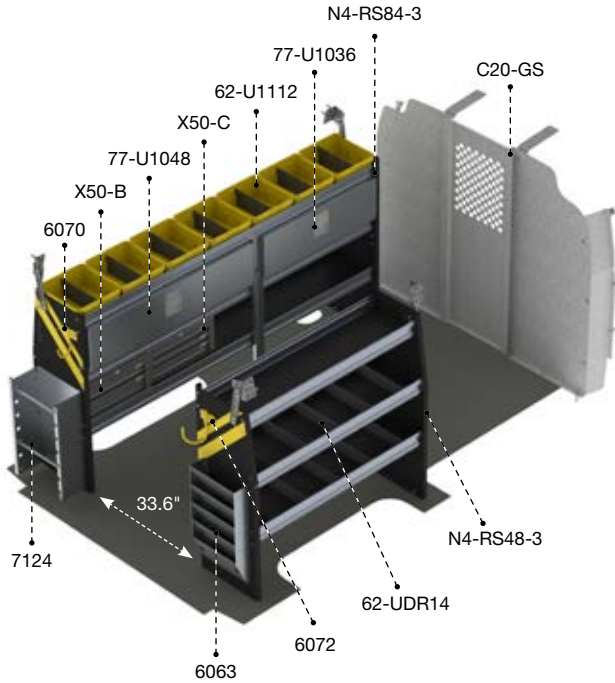
PACKAGES



GSL-10 CONTRACTOR

| | | |
|---------|---------|----------|
| Steel | 155" | Standard |
| 211 lbs | 3.8 hrs | Yes |

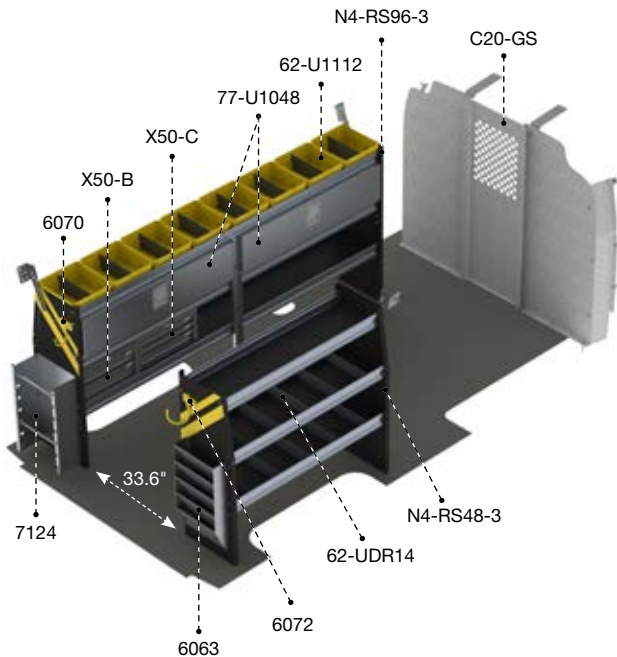
| Qty | Part | Description |
|-----|-----------|--|
| 1 | 6070 | 6" Hook, 3" opening, painted |
| 1 | C20-GS | Straight steel partition with perforated window, no access |
| 1 | N4-RS48-3 | Steel shelving unit for low roof van 14" D x 48" W x 44.5" H |
| 1 | N4-RS96-3 | Steel shelving unit for low roof van 14" D x 96" W x 44.5" H |



GSR-11 ELECTRICAL

| | | | | | |
|--|---------|--|---------|--|----------|
| | Steel | | 135" | | Standard |
| | 311 lbs | | 6.3 hrs | | Yes |

| Qty | Part | Description |
|-----|-----------|---|
| 1 | 6063 | Paper holder, extra deep, 5 slots |
| 1 | 6070 | 6" Hook, 3" opening, painted |
| 1 | 6072 | 8" Swivel hook, 4" opening, painted |
| 1 | 7124 | Reel holder with two 5/8" diameter rods |
| 7 | 62-U1112 | 12" deep plastic bin |
| 2 | 62-UDR14 | Set of 5 dividers for a 14" Shelf |
| 1 | 77-U1036 | Adjustable shelving door unit - 33" W - for 36" & 72" shelves |
| 1 | 77-U1048 | Adjustable shelving door unit - 45" W - for 48" & 96" shelves |
| 1 | C20-GS | Straight steel partition with perforated window, no access |
| 1 | N4-RS48-3 | Steel shelving unit for low roof van 14" D x 48" W x 44.5" H |
| 1 | N4-RS84-3 | Steel shelving unit for low roof van 14" D x 84" W x 44.5" H |
| 1 | X50-B | Compact 2-drawer unit |
| 1 | X50-C | Compact 3-drawer unit |



GSL-11 ELECTRICAL

| | | | | | |
|--|---------|--|---------|--|----------|
| | Steel | | 155" | | Standard |
| | 322 lbs | | 6.3 hrs | | Yes |

| Qty | Part | Description |
|-----|-----------|---|
| 1 | 6063 | Paper holder, extra deep, 5 slots |
| 1 | 6070 | 6" Hook, 3" opening, painted |
| 1 | 6072 | 8" Swivel hook, 4" opening, painted |
| 1 | 7124 | Reel holder with two 5/8" diameter rods |
| 8 | 62-U1112 | 12" deep plastic bin |
| 2 | 62-UDR14 | Set of 5 dividers for a 14" Shelf |
| 2 | 77-U1048 | Adjustable shelving door unit - 45" W - for 48" & 96" shelves |
| 1 | C20-GS | Straight steel partition with perforated window, no access |
| 1 | N4-RS48-3 | Steel shelving unit for low roof van 14" D x 48" W x 44.5" H |
| 1 | N4-RS96-3 | Steel shelving unit for low roof van 14" D x 96" W x 44.5" H |
| 1 | X50-B | Compact 2-drawer unit |
| 1 | X50-C | Compact 3-drawer unit |



ELECTRICAL **GSR-11**

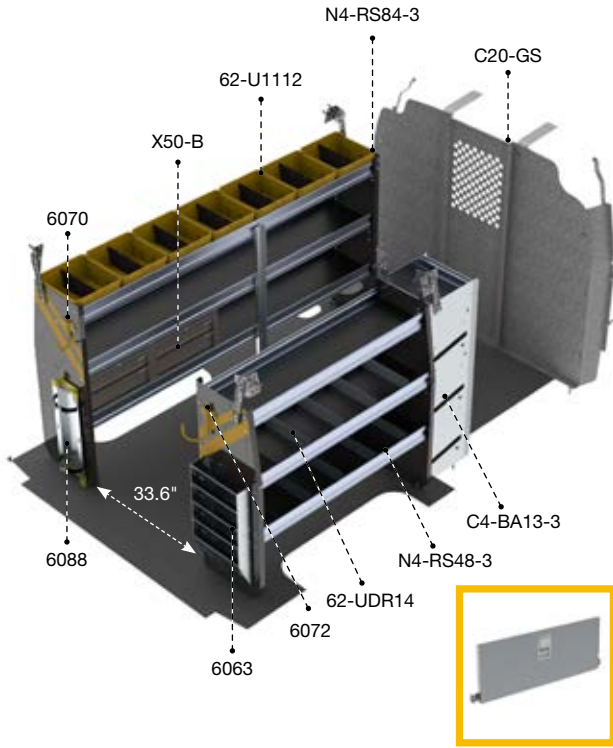
CHEVROLET **EXPRESS**



CHEVROLET EXPRESS



PACKAGES

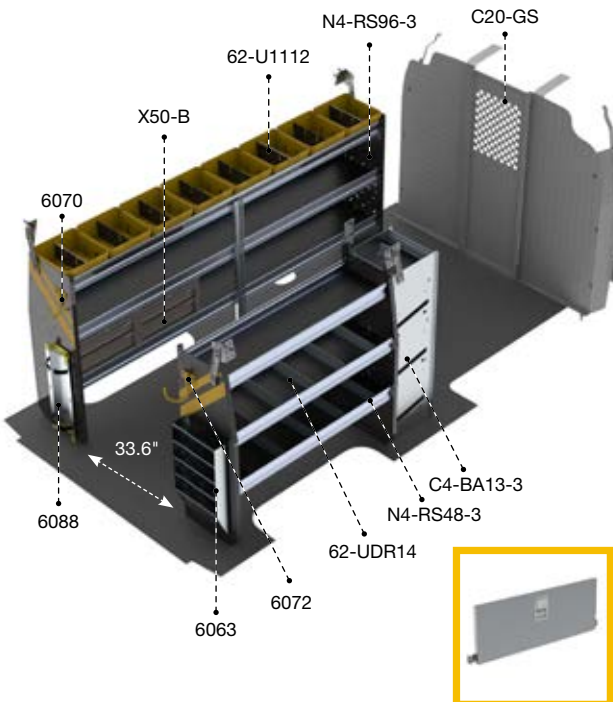


77-U1048

GSR-12 HVAC

| | | |
|---------|---------|----------|
| Steel | 135" | Standard |
| 320 lbs | 6.1 hrs | Yes |

| Qty | Part | Description |
|-----|------------------|---|
| 1 | C4-BA13-3 | 3 Tier refrigerant rack for large bottles |
| 1 | 6063 | Paper holder, extra deep, 5 slots |
| 1 | 6070 | 6" Hook, 3" opening, painted |
| 1 | 6072 | 8" Swivel hook, 4" opening, painted |
| 1 | 6088 | Large aluminum bottle holder, with two black nylon straps |
| 7 | 62-U1112 | 12" deep plastic bin |
| 2 | 62-UDR14 | Set of 5 dividers for a 14" Shelf |
| 1 | 77-U1048 | Adjustable shelving door unit - 45" W - for 48" & 96" shelves |
| 1 | C20-GS | Straight steel partition with perforated window, no access |
| 1 | N4-RS48-3 | Steel shelving unit for low roof van 14" D x 48" W x 44.5" H |
| 1 | N4-RS84-3 | Steel shelving unit for low roof van 14" D x 84" W x 44.5" H |
| 2 | X50-B | Compact 2-drawer unit |



77-U1048

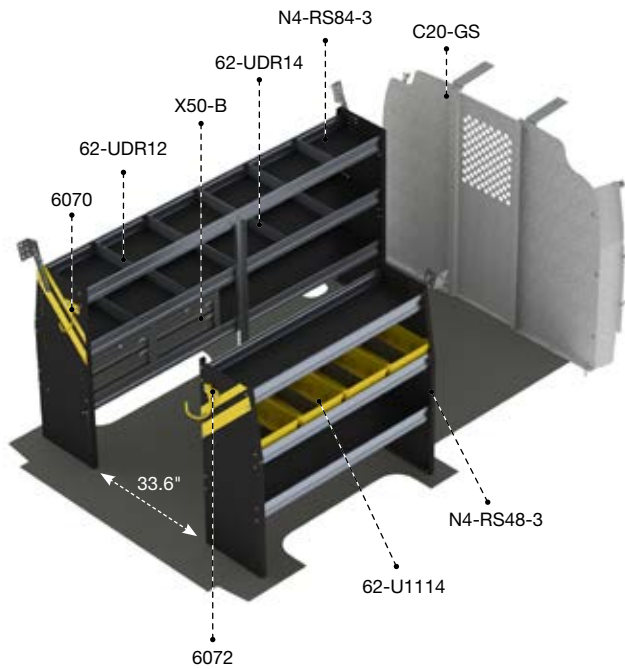
GSL-12 HVAC

| | | |
|---------|---------|----------|
| Steel | 155" | Standard |
| 330 lbs | 6.1 hrs | Yes |

| Qty | Part | Description |
|-----|------------------|---|
| 1 | C4-BA13-3 | 3 Tier refrigerant rack for large bottles |
| 1 | 6063 | Paper holder, extra deep, 5 slots |
| 1 | 6070 | 6" Hook, 3" opening, painted |
| 1 | 6072 | 8" Swivel hook, 4" opening, painted |
| 1 | 6088 | Large aluminum bottle holder, with two black nylon straps |
| 8 | 62-U1112 | 12" deep plastic bin |
| 2 | 62-UDR14 | Set of 5 dividers for a 14" Shelf |
| 1 | 77-U1048 | Adjustable shelving door unit - 45" W - for 48" & 96" shelves |
| 1 | C20-GS | Straight steel partition with perforated window, no access |
| 1 | N4-RS48-3 | Steel shelving unit for low roof van 14" D x 48" W x 44.5" H |
| 1 | N4-RS96-3 | Steel shelving unit for low roof van 14" D x 96" W x 44.5" H |
| 2 | X50-B | Compact 2-drawer unit |



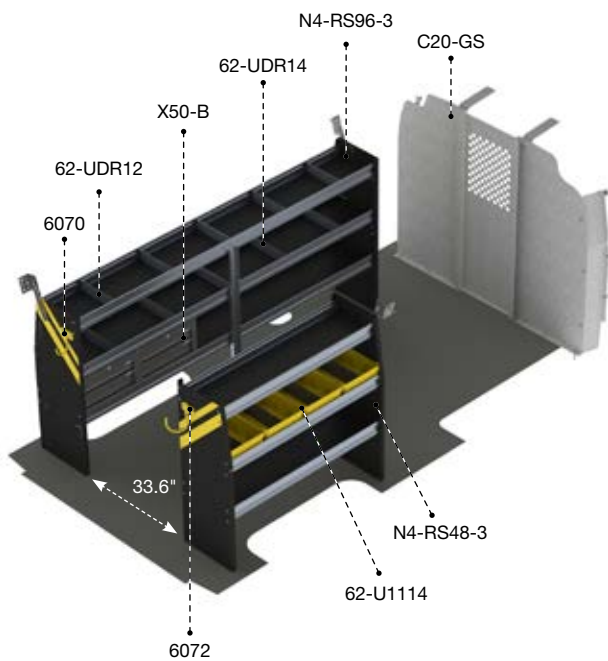
CHEVROLET EXPRESS



GSR-16 SERVICE

| | | |
|---------|---------|----------|
| Steel | 135" | Standard |
| 270 lbs | 4.6 hrs | Yes |

| Qty | Part | Description |
|-----|-----------|--|
| 1 | 6070 | 6" Hook, 3" opening, painted |
| 1 | 6072 | 8" Swivel hook, 4" opening, painted |
| 4 | 62-U1114 | 14" deep plastic bin |
| 1 | 62-UDR12 | Set of 5 dividers for a 12" Shelf |
| 1 | 62-UDR14 | Set of 5 dividers for a 14" Shelf |
| 1 | C20-GS | Straight steel partition with perforated window, no access |
| 1 | N4-RS48-3 | Steel shelving unit for low roof van 14" D x 48" W x 44.5" H |
| 1 | N4-RS84-3 | Steel shelving unit for low roof van 14" D x 84" W x 44.5" H |
| 2 | X50-B | Compact 2-drawer unit |



GSL-16 SERVICE

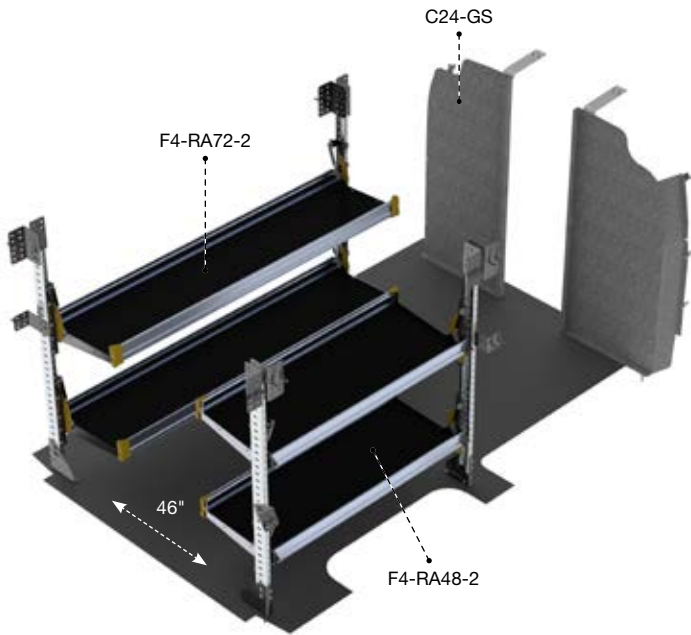
| | | |
|---------|---------|----------|
| Steel | 155" | Standard |
| 278 lbs | 4.6 hrs | Yes |

| Qty | Part | Description |
|-----|-----------|--|
| 1 | 6070 | 6" Hook, 3" opening, painted |
| 1 | 6072 | 8" Swivel hook, 4" opening, painted |
| 4 | 62-U1114 | 14" deep plastic bin |
| 1 | 62-UDR12 | Set of 5 dividers for a 12" Shelf |
| 1 | 62-UDR14 | Set of 5 dividers for a 14" Shelf |
| 1 | C20-GS | Straight steel partition with perforated window, no access |
| 1 | N4-RS48-3 | Steel shelving unit for low roof van 14" D x 48" W x 44.5" H |
| 1 | N4-RS96-3 | Steel shelving unit for low roof van 14" D x 96" W x 44.5" H |
| 2 | X50-B | Compact 2-drawer unit |

CHEVROLET EXPRESS



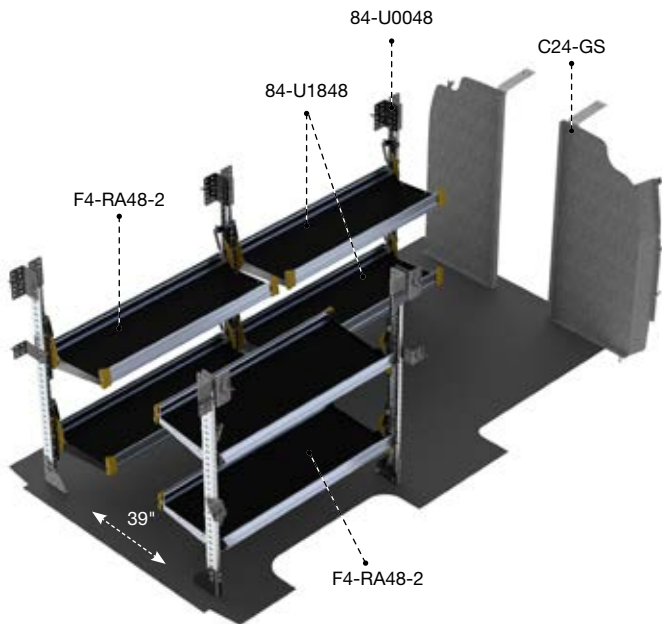
PACKAGES



GSR-19 DELIVERY

| | | |
|----------|---------|----------|
| Aluminum | 135" | Standard |
| 195 lbs | 4.2 hrs | Yes |

| Qty | Part | Description |
|-----|------------------|---|
| 1 | C24-GS | Straight walk through steel partition |
| 1 | F4-RA72-2 | Fold-away unit, 2 levels, 22" D x 72" W x 47" H |
| 1 | F4-RA48-2 | Fold-away unit, 2 levels, 22" D x 48" W x 47" H |



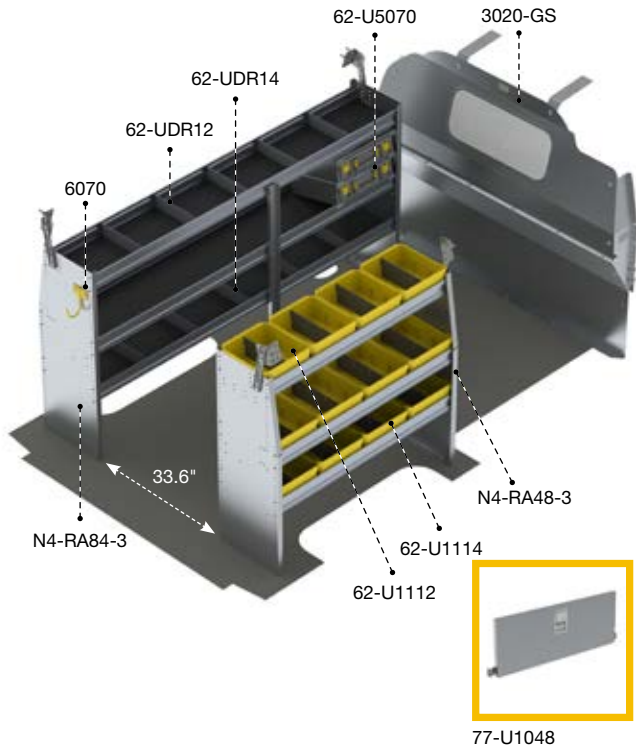
GSL-19 DELIVERY

| | | |
|----------|---------|----------|
| Aluminum | 155" | Standard |
| 239 lbs | 5.3 hrs | Yes |

| Qty | Part | Description |
|-----|------------------|---|
| 1 | 84-U0048 | Post assembly for fold-away shelving, 48" |
| 2 | 84-U1848 | Fold-away shelf tray, 18" D x 48" W |
| 1 | C24-GS | Straight walk through steel partition |
| 2 | F4-RA48-2 | Fold-away unit, 2 levels, 22" D x 48" W x 47" H |



CHEVROLET EXPRESS

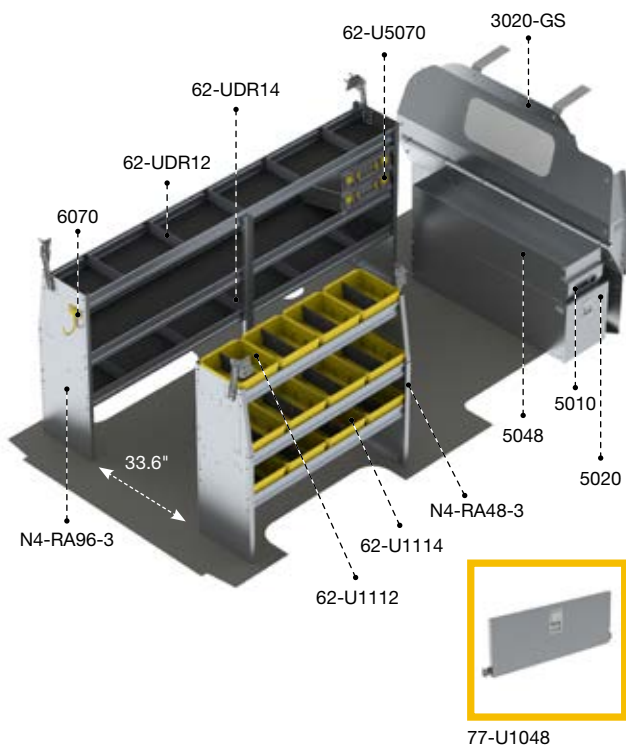


GSR-27
ALUMINUM

| | | | |
|--|----------|---------|----------|
| | Aluminum | 135" | Standard |
| | 224 lbs | 4.4 hrs | Yes |

| Qty | Part | Description |
|-----|------------------|---|
| 1 | 3020-GS | Countoured safety partition with glass window |
| 2 | 62-U5070 | Partskeeper carry case with holder |
| 1 | 6070 | 6" Hook, 3" opening, painted |
| 4 | 62-U1112 | 12" deep plastic bin |
| 8 | 62-U1114 | 14" deep plastic bin |
| 1 | 62-UDR12 | Set of 5 dividers for a 12" Shelf |
| 1 | 62-UDR14 | Set of 5 dividers for a 14" Shelf |
| 1 | 77-U1048 | Adjustable shelving door unit - 45" W - for 48" & 96" shelves |
| 1 | N4-RA48-3 | Aluminum shelving unit for low roof van 14" D x 48" W x 44.5" H |
| 1 | N4-RA84-3 | Aluminum shelving unit for low roof van 14" D x 84" W x 44.5" H |

PACKAGES

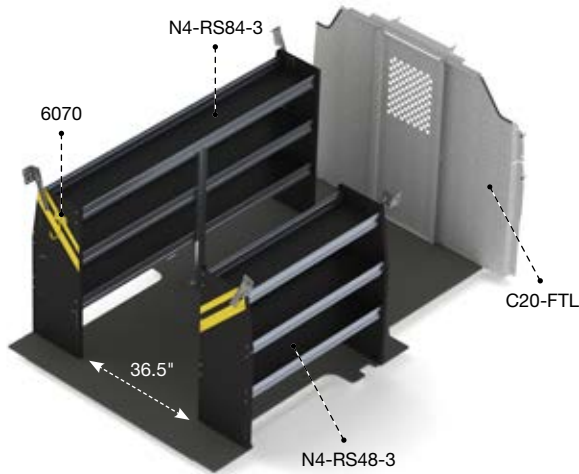


GSL-27
ALUMINUM







| | | | |
|--|----------|---------|----------|
| | Aluminum | 155" | Standard |
| | 339 lbs | 6.1 hrs | Yes |

| Qty | Part | Description |
|-----|------------------|---|
| 1 | 3020-GS | Countoured safety partition with glass window |
| 1 | 5010 | Partslider drawer 48" D |
| 1 | 5020 | Tool Drawer 48" D x 14" W x 16" H |
| 1 | 5048 | Top edge |
| 2 | 62-U5070 | Partskeeper carry case with holder |
| 1 | 6070 | 6" Hook, 3" opening, painted |
| 4 | 62-U1112 | 12" deep plastic bin |
| 8 | 62-U1114 | 14" deep plastic bin |
| 1 | 62-UDR12 | Set of 5 dividers for a 12" Shelf |
| 1 | 62-UDR14 | Set of 5 dividers for a 14" Shelf |
| 1 | 77-U1048 | Adjustable shelving door unit - 45" W - for 48" & 96" shelves |
| 1 | N4-RA48-3 | Aluminum shelving unit for low roof van 14" D x 48" W x 44.5" H |
| 1 | N4-RA96-3 | Aluminum shelving unit for low roof van 14" D x 96" W x 44.5" H |

FORD TRANSIT









FTL-10 CONTRACTOR

| | | |
|---|--|--|
|  Steel |  130", 148" |  Low Roof |
|  206 lbs |  3.3 hrs |  Yes |

| Qty | Part # | Description |
|-----|-----------|---|
| 1 | 6070 | 6" Hook, 3" opening, painted |
| 1 | C20-FTL | Straight steel partition with perforated window, no access |
| 1 | N4-RS48-3 | Steel shelving unit for low roof van, 14" D x 48" W x 44.5" H |
| 1 | N4-RS84-3 | Steel shelving unit for low roof van, 14" D x 84" W x 44.5" H |



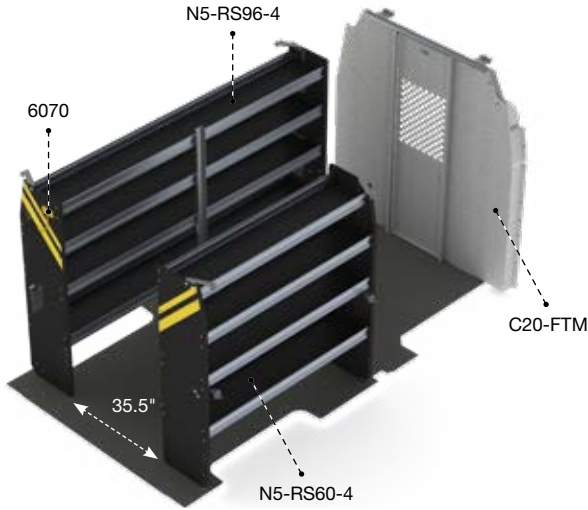
FTR-10 CONTRACTOR

| | | |
|---|---|---|
|  Steel |  130" |  Medium Roof |
|  268 lbs |  3.8 hrs |  Yes |

| Qty | Part # | Description |
|-----|-----------|--|
| 1 | 6070 | 6" Hook, 3" opening, painted |
| 1 | C20-FTM | Straight steel partition with perforated window, no access |
| 1 | N5-RS48-4 | Steel shelving unit for high roof van, 14" D x 48" W x 62" H |
| 1 | N5-RS84-4 | Steel shelving unit for high roof van, 14" D x 84" W x 62" H |



FORD TRANSIT

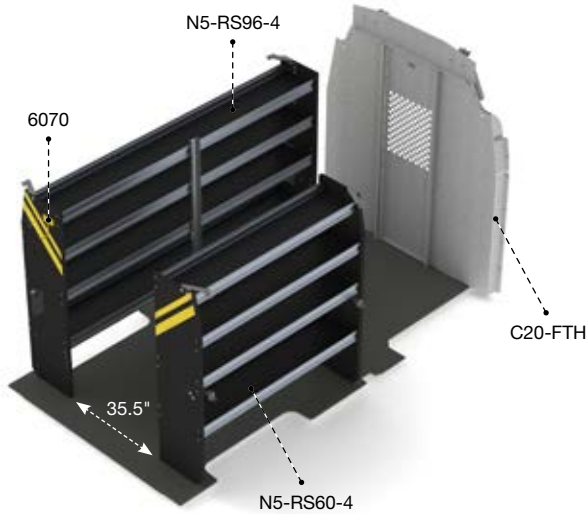


FTM-10 CONTRACTOR

| | | |
|---------|---------|-------------|
| Steel | 148" | Medium Roof |
| 288 lbs | 3.8 hrs | Yes |

| Qty | Part # | Description |
|-----|-----------|--|
| 1 | 6070 | 6" Hook, 3" opening, painted |
| 1 | C20-FTM | Straight steel partition with perforated window, no access |
| 1 | N5-RS60-4 | Steel shelving unit for high roof van, 14" D x 60" W x 62" H |
| 1 | N5-RS96-4 | Steel shelving unit for high roof van, 14" D x 96" W x 62" H |

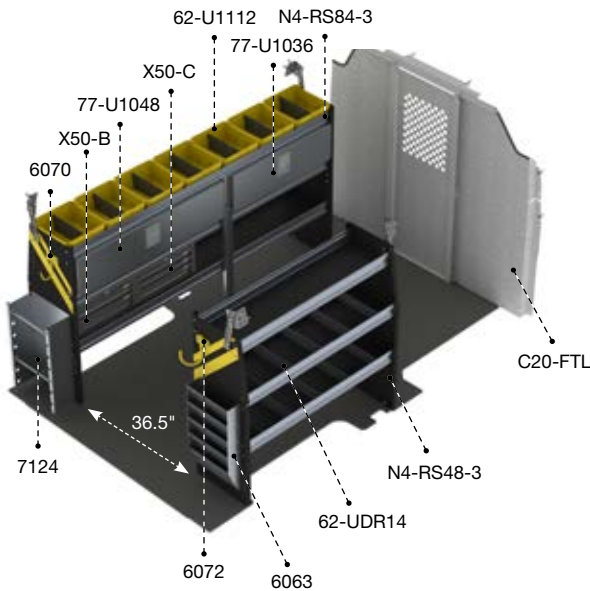
PACKAGES



FTH-10 CONTRACTOR

| | | |
|---------|-----------------|-----------|
| Steel | 148", 148" Ext. | High Roof |
| 303 lbs | 3.8 hrs | Yes |

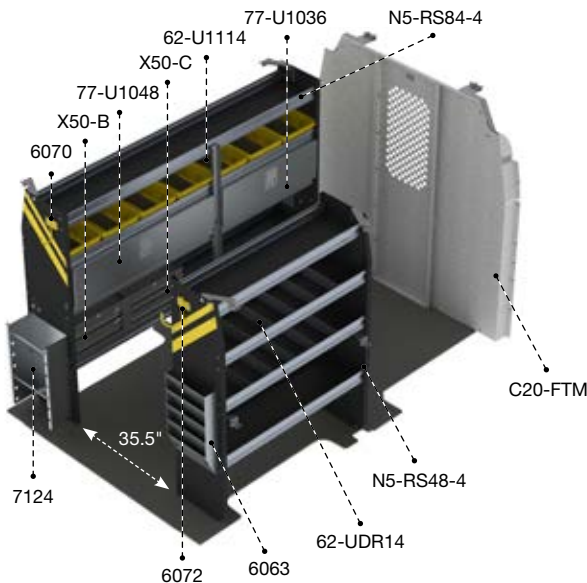
| Qty | Part # | Description |
|-----|-----------|--|
| 1 | 6070 | 6" Hook, 3" opening, painted |
| 1 | C20-FTH | Straight steel partition with perforated window, no access |
| 1 | N5-RS60-4 | Steel shelving unit for high roof van, 14" D x 60" W x 62" H |
| 1 | N5-RS96-4 | Steel shelving unit for high roof van, 14" D x 96" W x 62" H |



FTL-11 ELECTRICAL

| | | | | | |
|--|---------|--|------------|--|----------|
| | Steel | | 130", 148" | | Low Roof |
| | 314 lbs | | 5.8 hrs | | Yes |

| Qty | Part # | Description |
|-----|-----------|---|
| 1 | 6063 | Paper holder, extra deep, 5 slots |
| 1 | 6070 | 6" Hook, 3" opening, painted |
| 1 | 6072 | 8" Swivel hook, 4" opening, painted |
| 7 | 62-U1112 | 12" Deep plastic bin |
| 2 | 62-UDR14 | Set of 5 dividers for a 14" shelf |
| 1 | 7124 | Reel holder with two 5/8" diameter rods |
| 1 | 77-U1036 | Adjustable shelving door unit - 33" W - for 36" and 72" shelves |
| 1 | 77-U1048 | Adjustable shelving door unit - 45" W - for 48" and 96" shelves |
| 1 | C20-FTL | Straight steel partition with perforated window, no access |
| 1 | N4-RS48-3 | Steel shelving unit for low roof van, 14" D x 48" W x 44.5" H |
| 1 | N4-RS84-3 | Steel shelving unit for low roof van, 14" D x 84" W x 44.5" H |
| 1 | X50-B | Compact 2-drawer unit |
| 1 | X50-C | Compact 3-drawer unit |



FTR-11 ELECTRICAL

| | | | | | |
|--|---------|--|---------|--|-------------|
| | Steel | | 130" | | Medium Roof |
| | 377 lbs | | 6.3 hrs | | Yes |

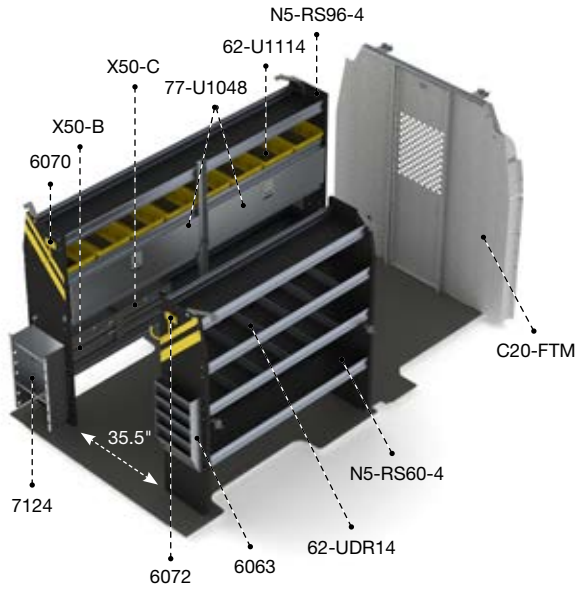
| Qty | Part # | Description |
|-----|-----------|---|
| 1 | 6063 | Paper holder, extra deep, 5 slots |
| 1 | 6070 | 6" Hook, 3" opening, painted |
| 1 | 6072 | 8" Swivel hook, 4" opening, painted |
| 7 | 62-U1114 | 14" Deep plastic bin |
| 2 | 62-UDR14 | Set of 5 dividers for a 14" shelf |
| 1 | 7124 | Reel holder with two 5/8" diameter rods |
| 1 | 77-U1036 | Adjustable shelving door unit - 33" W - for 36" and 72" shelves |
| 1 | 77-U1048 | Adjustable shelving door unit - 45" W - for 48" and 96" shelves |
| 1 | C20-FTM | Straight steel partition with perforated window, no access |
| 1 | N5-RS48-4 | Steel shelving unit for high roof van, 14" D x 48" W x 62" H |
| 1 | N5-RS84-4 | Steel shelving unit for high roof van, 14" D x 84" W x 62" H |
| 1 | X50-B | Compact 2-drawer unit |
| 1 | X50-C | Compact 3-drawer unit |







ELECTRICAL FTM-11

FORD TRANSIT

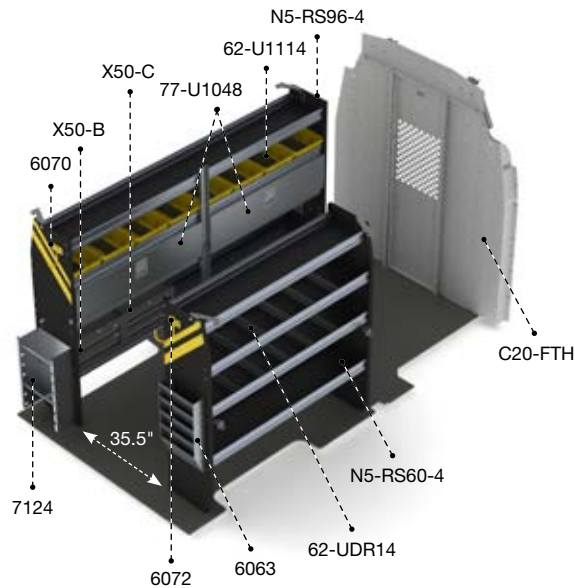




FTM-11 ELECTRICAL

| | | |
|---|---|---|
|  Steel |  148" |  Medium Roof |
|  401 lbs |  6.3 hrs |  Yes |

| Qty | Part # | Description |
|-----|-----------|---|
| 1 | 6063 | Paper holder, extra deep, 5 slots |
| 1 | 6070 | 6" Hook, 3" opening, painted |
| 1 | 6072 | 8" Swivel hook, 4" opening, painted |
| 8 | 62-U1114 | 14" Deep plastic bin |
| 2 | 62-UDR14 | Set of 5 dividers for a 14" shelf |
| 1 | 7124 | Reel holder with two 5/8" diameter rods |
| 2 | 77-U1048 | Adjustable shelving door unit - 45" W - for 48" and 96" shelves |
| 1 | C20-FTM | Straight steel partition with perforated window, no access |
| 1 | N5-RS60-4 | Steel shelving unit for high roof van, 14" D x 60" W x 62" H |
| 1 | N5-RS96-4 | Steel shelving unit for high roof van, 14" D x 96" W x 62" H |
| 1 | X50-B | Compact 2-drawer unit |
| 1 | X50-C | Compact 3-drawer unit |



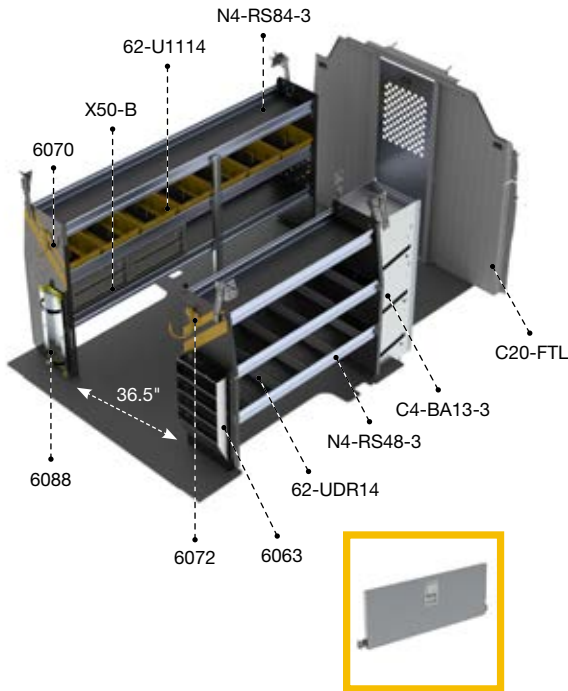
FTH-11 ELECTRICAL

| | | |
|---|---|---|
|  Steel |  148", 148" Ext. |  High Roof |
|  416 lbs |  6.3 hrs |  Yes |

| Qty | Part # | Description |
|-----|-----------|---|
| 1 | 6063 | Paper holder, extra deep, 5 slots |
| 1 | 6070 | 6" Hook, 3" opening, painted |
| 1 | 6072 | 8" Swivel hook, 4" opening, painted |
| 8 | 62-U1114 | 14" Deep plastic bin |
| 2 | 62-UDR14 | Set of 5 dividers for a 14" shelf |
| 1 | 7124 | Reel holder with two 5/8" diameter rods |
| 2 | 77-U1048 | Adjustable shelving door unit - 45" W - for 48" and 96" shelves |
| 1 | C20-FTH | Straight steel partition with perforated window, no access |
| 1 | N5-RS60-4 | Steel shelving unit for high roof van, 14" D x 60" W x 62" H |
| 1 | N5-RS96-4 | Steel shelving unit for high roof van, 14" D x 96" W x 62" H |
| 1 | X50-B | Compact 2-drawer unit |
| 1 | X50-C | Compact 3-drawer unit |



FORD TRANSIT



77-U1048

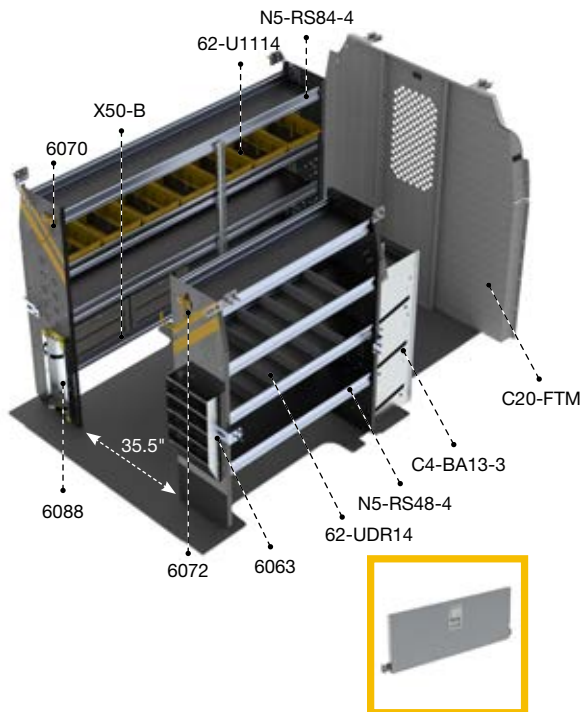
FTL-12

HVAC

| | | |
|---------|------------|----------|
| Steel | 130", 148" | Low Roof |
| 325 lbs | 5.6 hrs | Yes |

| Qty | Part # | Description |
|-----|------------------|---|
| 1 | C4-BA13-3 | 3 Tier refrigerant rack for large bottles |
| 1 | 6063 | Paper holder, extra deep, 5 slots |
| 1 | 6070 | 6" Hook, 3" opening, painted |
| 1 | 6072 | 8" Swivel hook, 4" opening, painted |
| 1 | 6088 | Large aluminum bottle holder, with two black nylon straps |
| 7 | 62-U1114 | 14" Deep plastic bin |
| 2 | 62-UDR14 | Set of 5 dividers for a 14" shelf |
| 1 | 77-U1048 | Adjustable shelving door unit - 45" W - for 48" & 96" shelves |
| 1 | C20-FTL | Straight steel partition with perforated window, no access |
| 1 | N4-RS48-3 | Steel shelving unit for low roof van, 14" D x 48" W x 44.5" H |
| 1 | N4-RS84-3 | Steel shelving unit for low roof van, 14" D x 84" W x 44.5" H |
| 2 | X50-B | Compact 2-drawer unit |

PACKAGES



77-U1048

FTR-12

HVAC

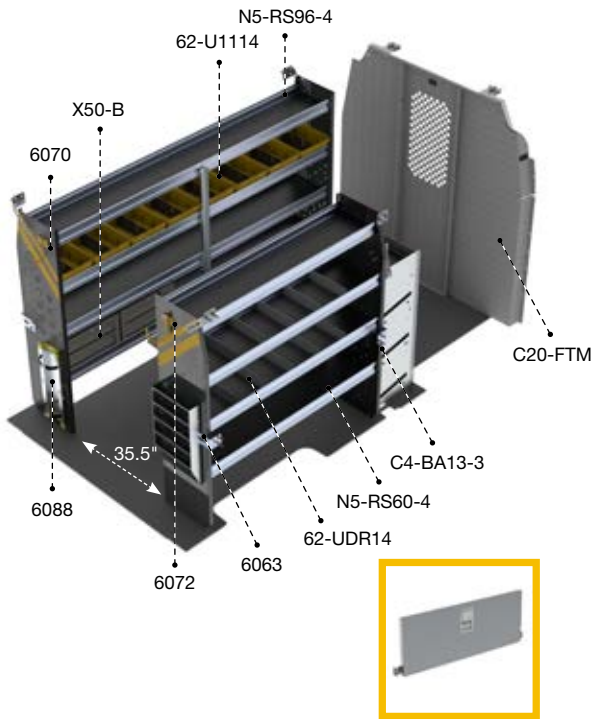
| | | |
|---------|---------|-------------|
| Steel | 130" | Medium Roof |
| 387 lbs | 6.1 hrs | Yes |

| Qty | Part # | Description |
|-----|------------------|---|
| 1 | C4-BA13-3 | 3 Tier refrigerant rack for large bottles |
| 1 | 6063 | Paper holder, extra deep, 5 slots |
| 1 | 6070 | 6" Hook, 3" opening, painted |
| 1 | 6072 | 8" Swivel hook, 4" opening, painted |
| 1 | 6088 | Large aluminum bottle holder, with two black nylon straps |
| 7 | 62-U1114 | 14" Deep plastic bin |
| 2 | 62-UDR14 | Set of 5 dividers for a 14" shelf |
| 1 | 77-U1048 | Adjustable shelving door unit - 45" W - for 48" & 96" shelves |
| 1 | C20-FTM | Straight steel partition with perforated window, no access |
| 1 | N5-RS48-4 | Steel shelving unit for high roof van, 14" D x 48" W x 62" H |
| 1 | N5-RS84-4 | Steel shelving unit for high roof van, 14" D x 84" W x 62" H |
| 2 | X50-B | Compact 2-drawer unit |

FORD TRANSIT



PACKAGES



77-U1060

FTM-12

HVAC

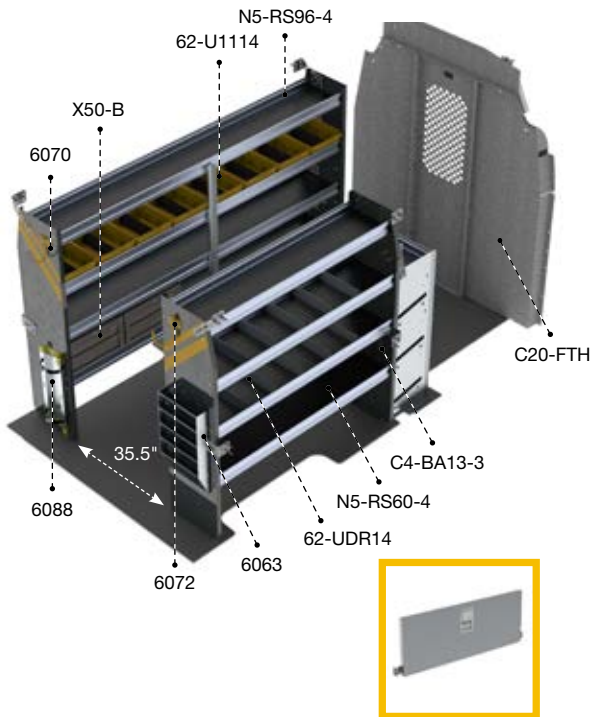
| | | | | | |
|--|---------|--|---------|--|-------------|
| | Steel | | 148" | | Medium Roof |
| | 411 lbs | | 6.1 hrs | | Yes |

| Qty | Part # | Description |
|-----|------------------|--|
| 1 | C4-BA13-3 | 3 Tier refrigerant rack for large bottles |
| 1 | 6063 | Paper holder, extra deep, 5 slots |
| 1 | 6070 | 6" Hook, 3" opening, painted |
| 1 | 6072 | 8" Swivel hook, 4" opening, painted |
| 1 | 6088 | Large aluminum bottle holder, with two black nylon straps |
| 8 | 62-U1114 | 14" Deep plastic bin |
| 2 | 62-UDR14 | Set of 5 dividers for a 14" shelf |
| 1 | 77-U1060 | Adjustable shelving door unit - 57" W - for 60" shelves |
| 1 | C20-FTM | Straight steel partition with perforated window, no access |
| 1 | N5-RS60-4 | Steel shelving unit for high roof van, 14" D x 60" W x 62" H |
| 1 | N5-RS96-4 | Steel shelving unit for high roof van, 14" D x 96" W x 62" H |
| 2 | X50-B | Compact 2-drawer unit |

FTH-12

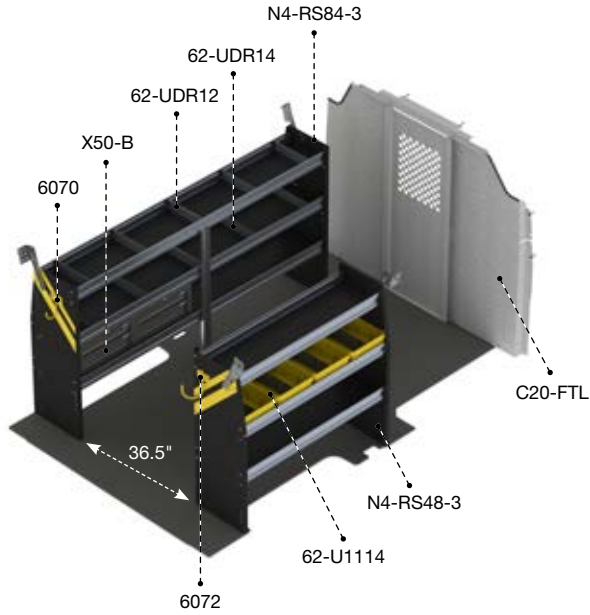
HVAC

| | | | | | |
|--|---------|--|-----------------|--|-----------|
| | Steel | | 148", 148" Ext. | | High Roof |
| | 426 lbs | | 6.1 hrs | | Yes |



77-U1060

| Qty | Part # | Description |
|-----|------------------|--|
| 1 | C4-BA13-3 | 3 Tier refrigerant rack for large bottles |
| 1 | 6063 | Paper holder, extra deep, 5 slots |
| 1 | 6070 | 6" Hook, 3" opening, painted |
| 1 | 6072 | 8" Swivel hook, 4" opening, painted |
| 1 | 6088 | Large aluminum bottle holder, with two black nylon straps |
| 8 | 62-U1114 | 14" Deep plastic bin |
| 2 | 62-UDR14 | Set of 5 dividers for a 14" shelf |
| 1 | 77-U1060 | Adjustable shelving door unit - 57" W - for 60" shelves |
| 1 | C20-FTH | Straight steel partition with perforated window, no access |
| 1 | N5-RS60-4 | Steel shelving unit for high roof van, 14" D x 60" W x 62" H |
| 1 | N5-RS96-4 | Steel shelving unit for high roof van, 14" D x 96" W x 62" H |
| 2 | X50-B | Compact 2-drawer unit |

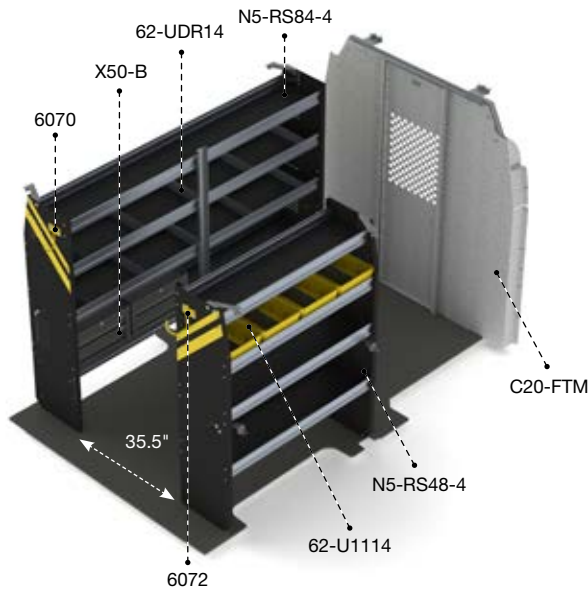


FTL-16 SERVICE

| | | |
|---------|------------|----------|
| Steel | 130", 148" | Low Roof |
| 273 lbs | 4.1 hrs | Yes |

| Qty | Part # | Description |
|-----|-----------|---|
| 1 | 6070 | 6" Hook, 3" opening, painted |
| 1 | 6072 | 8" Swivel hook, 4" opening, painted |
| 4 | 62-U1114 | 14" Deep plastic bin |
| 1 | 62-UDR12 | Set of 5 dividers for a 12" shelf |
| 1 | 62-UDR14 | Set of 5 dividers for a 14" shelf |
| 1 | C20-FTL | Straight steel partition with perforated window, no access |
| 1 | N4-RS48-3 | Steel shelving unit for low roof van, 14" D x 48" W x 44.5" H |
| 1 | N4-RS84-3 | Steel shelving unit for low roof van, 14" D x 84" W x 44.5" H |
| 2 | X50-B | Compact 2-drawer unit |

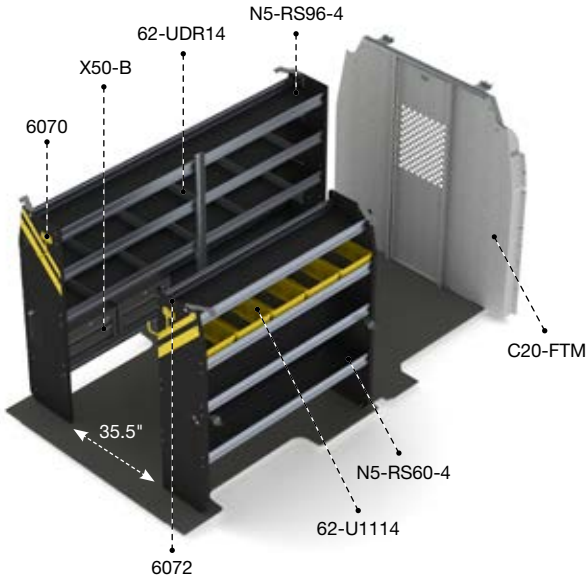
PACKAGES



FTR-16 SERVICE

| | | |
|---------|---------|-------------|
| Steel | 130" | Medium Roof |
| 336 lbs | 4.6 hrs | Yes |

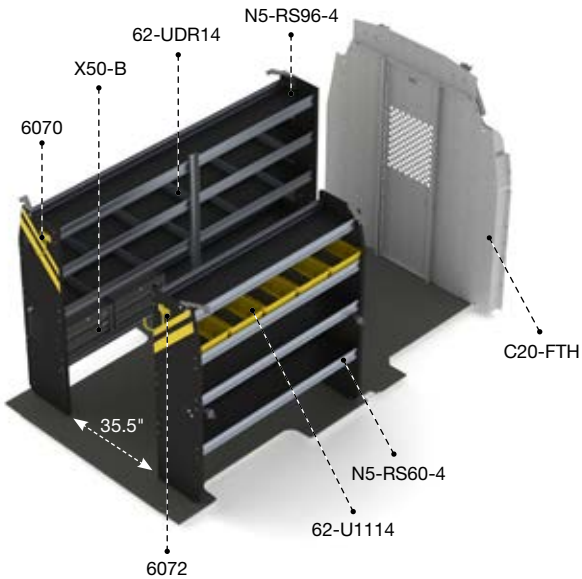
| Qty | Part # | Description |
|-----|-----------|---|
| 1 | 6070 | 6" Hook, 3" opening, painted |
| 1 | 6072 | 8" Swivel hook, 4" opening, painted |
| 4 | 62-U1114 | 14" Deep plastic bin |
| 2 | 62-UDR14 | Set of 5 dividers for a 14" shelf |
| 1 | C20-FTM | Straight steel partition with perforated window, no access |
| 1 | N5-RS48-4 | Steel shelving unit for low roof van, 14" D x 48" W x 62" H |
| 1 | N5-RS84-4 | Steel shelving unit for low roof van, 14" D x 84" W x 62" H |
| 2 | X50-B | Compact 2-drawer unit |



FTM-16 SERVICE

| | | |
|---------|---------|-------------|
| Steel | 148" | Medium Roof |
| 358 lbs | 4.6 hrs | Yes |

| Qty | Part # | Description |
|-----|-----------|--|
| 1 | 6070 | 6" Hook, 3" opening, painted |
| 1 | 6072 | 8" Swivel hook, 4" opening, painted |
| 5 | 62-U1114 | 14" Deep plastic bin |
| 2 | 62-UDR14 | Set of 5 dividers for a 14" shelf |
| 1 | C20-FTM | Straight steel partition with perforated window, no access |
| 1 | N5-RS60-4 | Steel shelving unit for high roof van, 14" D x 60" W x 62" H |
| 1 | N5-RS96-4 | Steel shelving unit for high roof van, 14" D x 96" W x 62" H |
| 2 | X50-B | Compact 2-drawer unit |



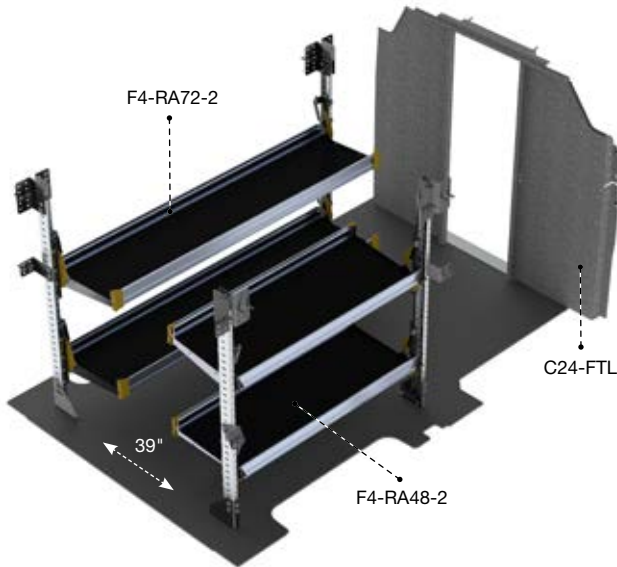
FTH-16 SERVICE

| | | |
|---------|-----------------|-----------|
| Steel | 148", 148" Ext. | High Roof |
| 373 lbs | 4.6 hrs | Yes |

| Qty | Part # | Description |
|-----|-----------|--|
| 1 | 6070 | 6" Hook, 3" opening, painted |
| 1 | 6072 | 8" Swivel hook, 4" opening, painted |
| 5 | 62-U1114 | 14" Deep plastic bin |
| 2 | 62-UDR14 | Set of 5 dividers for a 14" shelf |
| 1 | C20-FTH | Straight steel partition with perforated window, no access |
| 1 | N5-RS60-4 | Steel shelving unit for high roof van, 14" D x 60" W x 62" H |
| 1 | N5-RS96-4 | Steel shelving unit for high roof van, 14" D x 96" W x 62" H |
| 2 | X50-B | Compact 2-drawer unit |



FORD TRANSIT

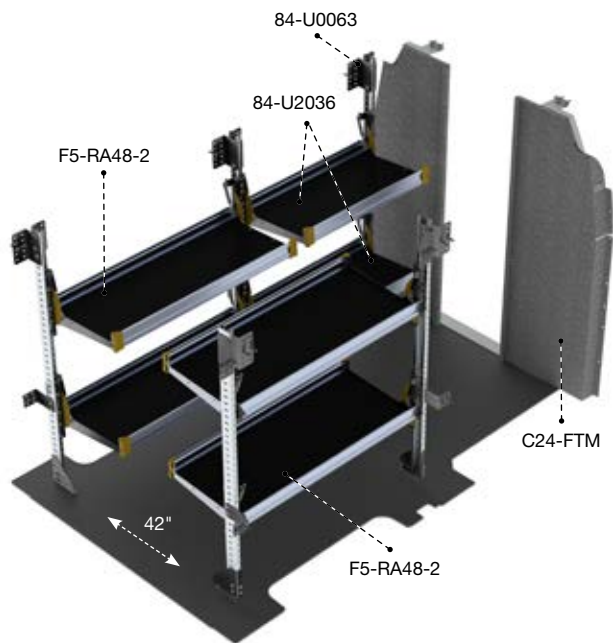


FTL-19 DELIVERY

| | | |
|----------|------------|----------|
| Aluminum | 130", 148" | Low Roof |
| 195 lbs | 4.4 hrs | Yes |

| Qty | Part # | Description |
|-----|------------------|---|
| 1 | C24-FTL | Straight walk through steel partition |
| 1 | F4-RA72-2 | Fold-away unit, 2 levels, 22" D x 72" W x 47" H |
| 1 | F4-RA48-2 | Fold-away unit, 2 levels, 22" D x 48" W x 47" H |

PACKAGES



FTR-19 DELIVERY

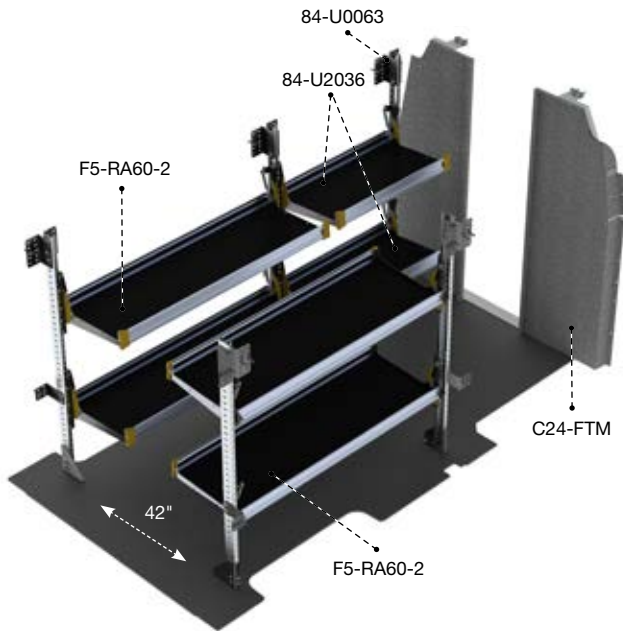
| | | |
|----------|---------|-------------|
| Aluminum | 130" | Medium Roof |
| 259 lbs | 5.5 hrs | Yes |

| Qty | Part # | Description |
|-----|------------------|---|
| 1 | 84-U0063 | Post assembly for fold-away shelving, 63" |
| 2 | 84-U2036 | Fold-away shelf tray, 20" D x 36" W |
| 1 | C24-FTM | Straight walk through steel partition |
| 2 | F5-RA48-2 | Fold-away unit, 2 levels, 25" D x 48" W x 63" H |

FORD TRANSIT



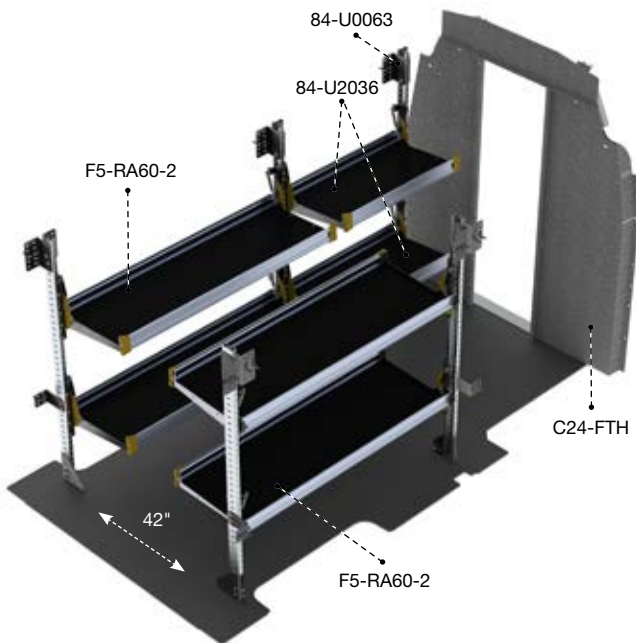
PACKAGES



FTM-19 DELIVERY

| | | |
|----------|---------|-------------|
| Aluminum | 148" | Medium Roof |
| 271 lbs | 5.5 hrs | Yes |

| Qty | Part # | Description |
|-----|------------------|---|
| 1 | 84-U0063 | Post assembly for fold-away shelving, 63" |
| 2 | 84-U2036 | Fold-away shelf tray, 20" D x 36" W |
| 1 | C24-FTM | Straight walk through steel partition |
| 2 | F5-RA60-2 | Fold-away unit, 2 levels, 25" D x 60" W x 63" H |



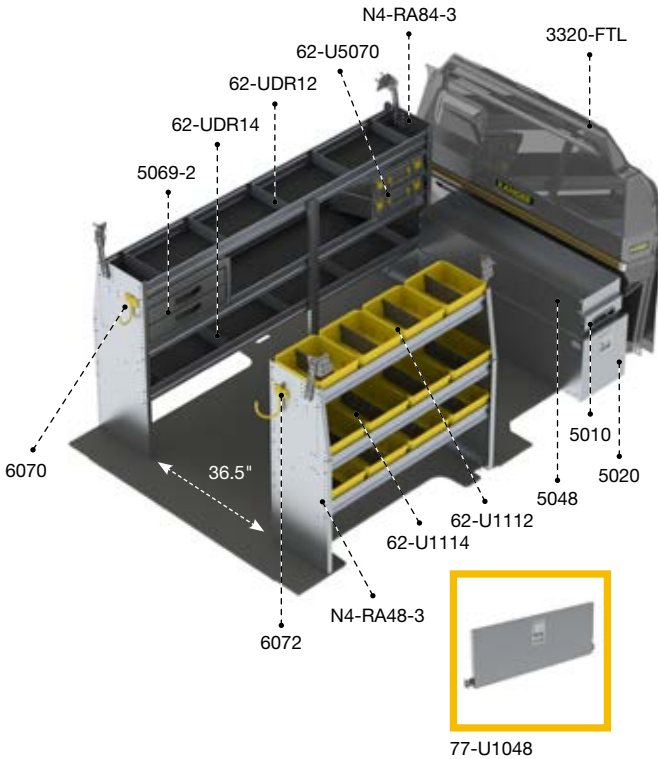
FTH-19 DELIVERY

| | | |
|----------|-----------------|-----------|
| Aluminum | 148", 148" Ext. | High Roof |
| 277 lbs | 5.5 hrs | Yes |

| Qty | Part # | Description |
|-----|------------------|---|
| 1 | 84-U0063 | Post assembly for fold-away shelving, 63" |
| 2 | 84-U2036 | Fold-away shelf tray, 20" D x 36" W |
| 1 | C24-FTH | Straight walk through steel partition |
| 2 | F5-RA60-2 | Fold-away unit, 2 levels, 25" D x 60" W x 63" H |



FORD TRANSIT

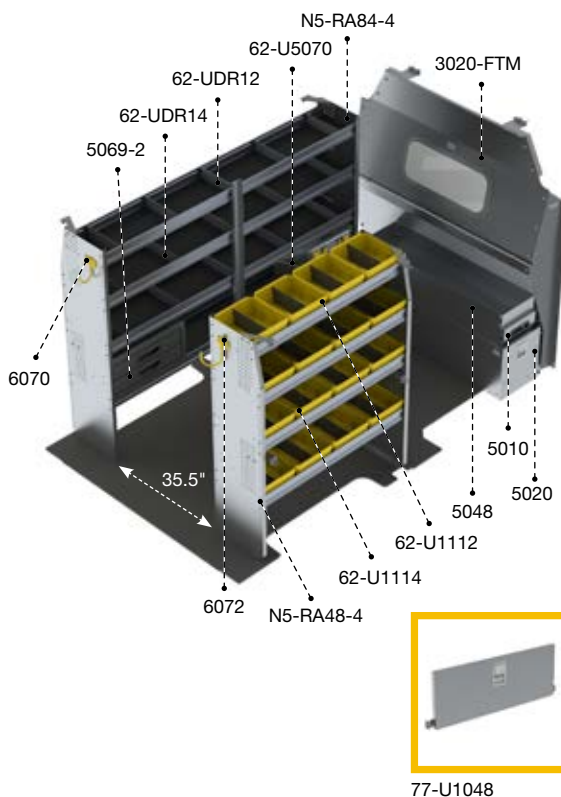


FTL-27 ALUMINUM

| | | | | | |
|--|----------|--|------------|--|----------|
| | Aluminum | | 130", 148" | | Low Roof |
| | 372 lbs | | 7.3 hrs | | Yes |

| Qty | Part # | Description |
|-----|-----------|---|
| 1 | 3320-FTL | Max View Countoured safety partition |
| 1 | 5010 | Partslider 48" D |
| 1 | 5020 | Tool drawer 48" D x 14" W x 16" H |
| 1 | 5048 | Top edge |
| 1 | 5069-2 | 2 Drawer cabinet |
| 2 | 62-U5070 | Partskeeper carry case with holder |
| 1 | 6070 | 6" Hook, 3" opening, painted |
| 1 | 6072 | 8" Swivel hook, 4" opening, painted |
| 4 | 62-U1112 | 12" Deep plastic bin |
| 8 | 62-U1114 | 14" Deep plastic bin |
| 1 | 62-UDR12 | Set of 5 dividers for a 12" shelf |
| 1 | 62-UDR14 | Set of 5 dividers for a 14" shelf |
| 1 | 77-U1048 | Adjustable shelving door unit - 45" W - for 48" & 96" shelves |
| 1 | N4-RA48-3 | Aluminum shelving unit for low roof van, 14"D x 48" W x 44.5" H |
| 1 | N4-RA84-3 | Aluminum shelving unit for low roof van, 14"D x 84" W x 44.5" H |

PACKAGES



FTR-27 ALUMINUM

| | | | | | |
|--|----------|--|---------|--|-------------|
| | Aluminum | | 130" | | Medium Roof |
| | 423 lbs | | 7.3 hrs | | Yes |

| Qty | Part # | Description |
|-----|-----------|---|
| 1 | 3020-FTM | Countoured safety partition with glass window |
| 1 | 5010 | Partslider 48" D |
| 1 | 5020 | Tool drawer 48" D x 14" W x 16" H |
| 1 | 5048 | Top edge |
| 1 | 5069-2 | 2 Drawer cabinet |
| 2 | 62-U5070 | Partskeeper carry case with holder |
| 1 | 6070 | 6" Hook, 3" opening, painted |
| 1 | 6072 | 8" Swivel hook, 4" opening, painted |
| 4 | 62-U1112 | 12" Deep plastic bin |
| 12 | 62-U1114 | 14" Deep plastic bin |
| 1 | 62-UDR12 | Set of 5 dividers for a 12" shelf |
| 2 | 62-UDR14 | Set of 5 dividers for a 14" shelf |
| 1 | 77-U1048 | Adjustable shelving door unit - 45" W - for 48" & 96" shelves |
| 1 | N5-RA48-4 | Aluminum shelving unit for high roof van, 14"D x 48" W x 62" H |
| 1 | N5-RA84-4 | Aluminum shelving unit for high roof van, 14" D x 84" W x 62" H |



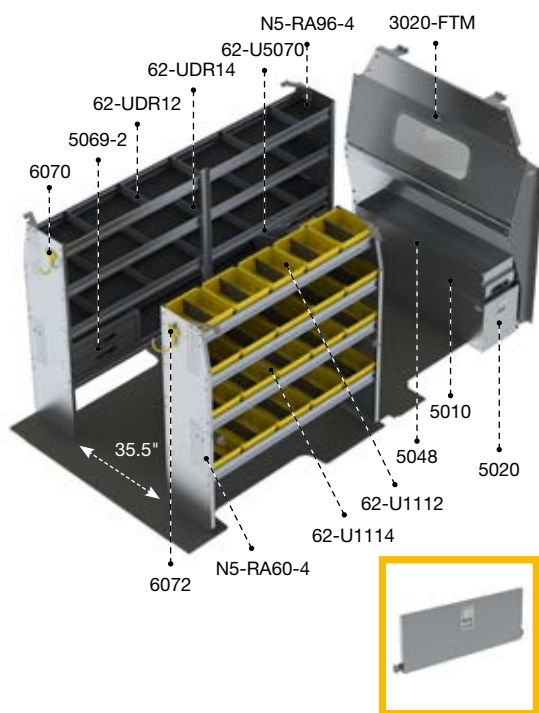
ALUMINUM
FTM-27

FORD TRANSIT





FORD TRANSIT



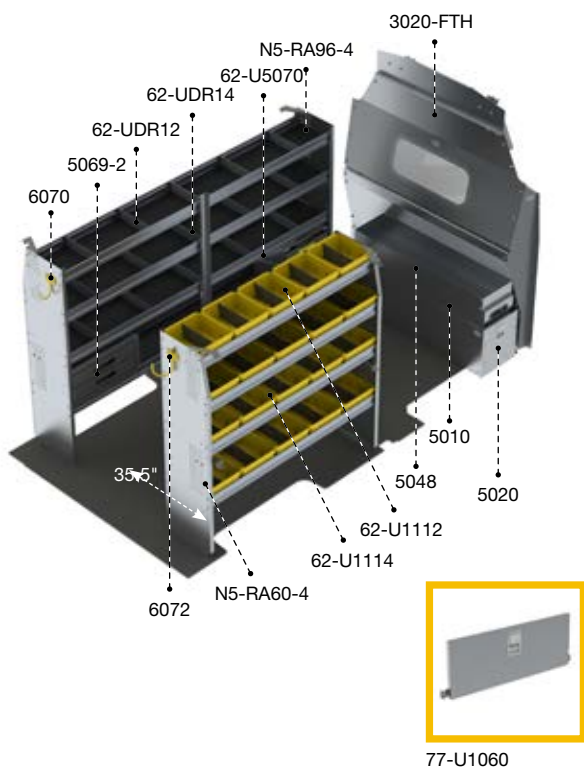
77-U1060

FTM-27 ALUMINUM

| | | | | | |
|--|----------|--|---------|--|-------------|
| | Aluminum | | 148" | | Medium Roof |
| | 453 lbs | | 7.3 hrs | | Yes |

| Qty | Part # | Description |
|-----|-----------|---|
| 1 | 3020-FTM | Countoured safety partition with glass window |
| 1 | 5010 | Partslider 48" D |
| 1 | 5020 | Tool drawer 48" D x 14" W x 16" H |
| 1 | 5048 | Top edge |
| 1 | 5069-2 | 2 Drawer cabinet |
| 2 | 62-U5070 | Partskeeper cabinets |
| 1 | 6070 | 6" Hook, 3" opening, painted |
| 1 | 6072 | 8" Swivel hook, 4" opening, painted |
| 5 | 62-U1112 | 12" Deep plastic bin |
| 15 | 62-U1114 | 14" Deep plastic bin |
| 1 | 62-UDR12 | Set of 5 dividers for a 12" shelf |
| 2 | 62-UDR14 | Set of 5 dividers for a 14" shelf |
| 1 | 77-U1060 | Adjustable shelving door unit - 57" W - for 60" shelves |
| 1 | N5-RA60-4 | Aluminum shelving unit for high roof van, 14"D x 60" W x 62"H |
| 1 | N5-RA96-4 | Aluminum shelving unit for high roof van, 14"D x 96" W x 62"H |

PACKAGES



77-U1060

FTH-27 ALUMINUM

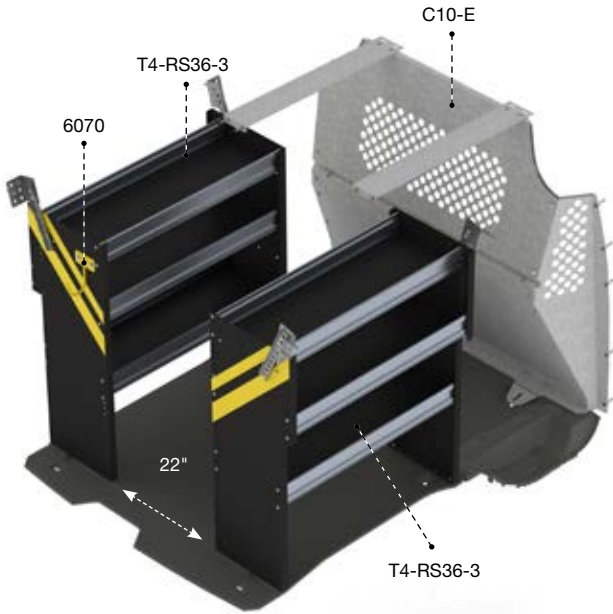
| | | | | | |
|--|----------|--|-----------------|--|-----------|
| | Aluminum | | 148", 148" Ext. | | High Roof |
| | 467 lbs | | 7.3 hrs | | Yes |

| Qty | Part # | Description |
|-----|-----------|---|
| 1 | 3020-FTH | Countoured safety partition with glass window |
| 1 | 5010 | Partslider 48" D |
| 1 | 5020 | Tool drawer 48" D x 14" W x 16" H |
| 1 | 5048 | Top edge |
| 1 | 5069-2 | 2 Drawer cabinet |
| 2 | 62-U5070 | Partskeeper cabinets |
| 1 | 6070 | 6" Hook, 3" opening, painted |
| 1 | 6072 | 8" Swivel hook, 4" opening, painted |
| 5 | 62-U1112 | 12" Deep plastic bin |
| 15 | 62-U1114 | 14" Deep plastic bin |
| 1 | 62-UDR12 | Set of 5 dividers for a 12" shelf |
| 2 | 62-UDR14 | Set of 5 dividers for a 14" shelf |
| 1 | 77-U1060 | Adjustable shelving door unit - 57" W - for 60" shelves |
| 1 | N5-RA60-4 | Aluminum shelving unit for high roof van, 14"D x 60" W x 62"H |
| 1 | N5-RA96-4 | Aluminum shelving unit for high roof van, 14"D x 96" W x 62"H |







FORD TRANSIT CONNECT



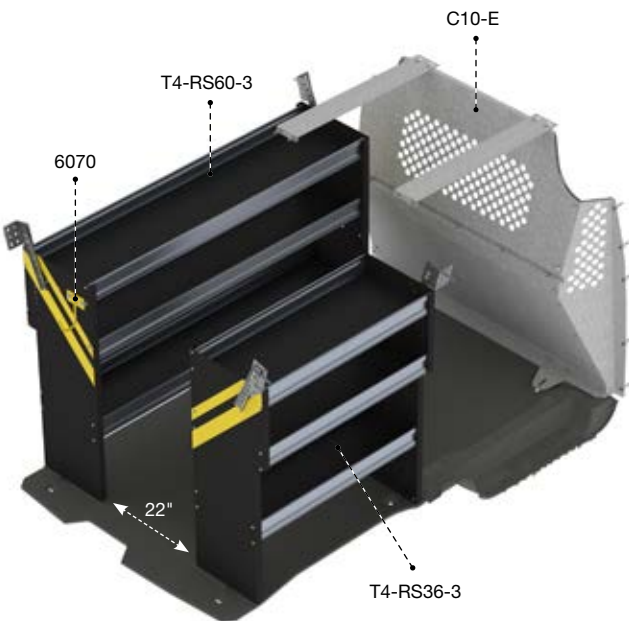
PACKAGES








TCS-10 CONTRACTOR

| | | |
|---|---|--|
|  Steel |  105" |  Standard |
|  149 lbs |  3.2 hrs |  Yes |

| Qty | Part # | Description |
|-----|------------------|---|
| 1 | 6070 | 6" Hook, 3" opening, painted |
| 1 | C10-E | Contoured steel partition with perforated window |
| 2 | T4-RS36-3 | Steel shelving unit for Transit Connect 14" D x 36" W x 41.5" H |



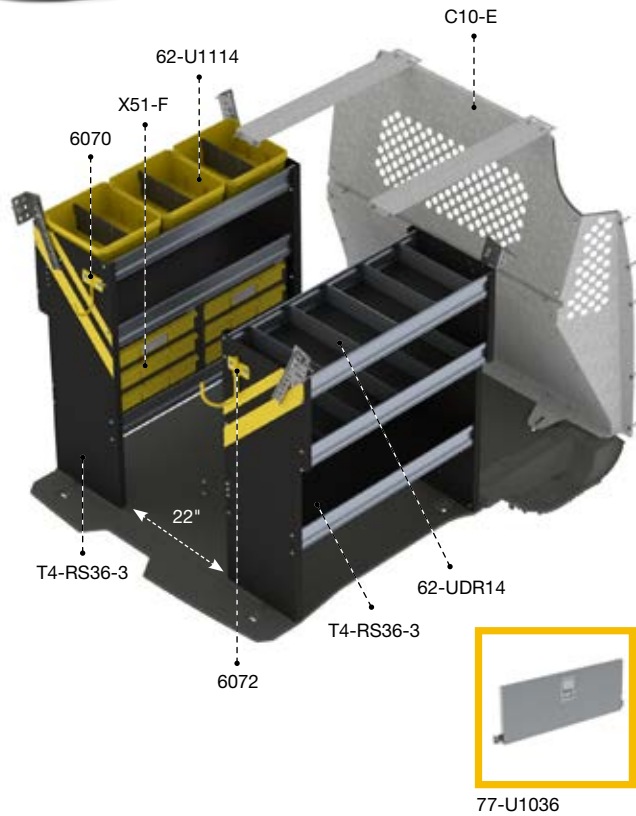
TCL-10 CONTRACTOR

| | | |
|---|---|--|
|  Steel |  120.5" |  Standard |
|  164 lbs |  3.2 hrs |  Yes |

| Qty | Part # | Description |
|-----|------------------|---|
| 1 | 6070 | 6" Hook, 3" opening, painted |
| 1 | C10-E | Contoured steel partition with perforated window |
| 1 | T4-RS36-3 | Steel shelving unit for Transit Connect 14" D x 36" W x 41.5" H |
| 1 | T4-RS60-3 | Steel shelving unit for Transit Connect 14" D x 60" W x 41.5" H |



FORD TRANSIT CONNECT

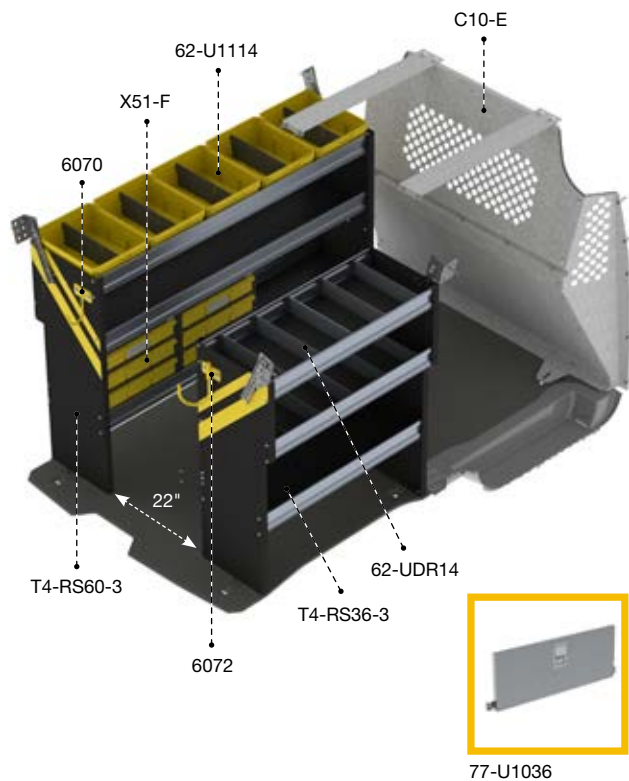


TCS-11 ELECTRICAL

| | | |
|---------|---------|----------|
| Steel | 105" | Standard |
| 223 lbs | 4.5 hrs | Yes |

| Qty | Part # | Description |
|-----|-----------|---|
| 1 | 6070 | 6" Hook, 3" opening, painted |
| 1 | 6072 | 8" Swivel hook, 4" opening, painted |
| 3 | 62-U1114 | 14" deep plastic bin |
| 2 | 62-UDR14 | Set of 5 dividers for a 14" Shelf |
| 1 | 77-U1036 | Adjustable shelving door unit - 33" W - for 36" & 72" shelves |
| 1 | C10-E | Contoured steel partition with perforated window |
| 2 | T4-RS36-3 | Steel Shelving Unit for Transit Connect 14" D x 36" W x 41.5" H |
| 2 | X51-F | Compact 9-drawer unit |

PACKAGES



TCL-11 ELECTRICAL

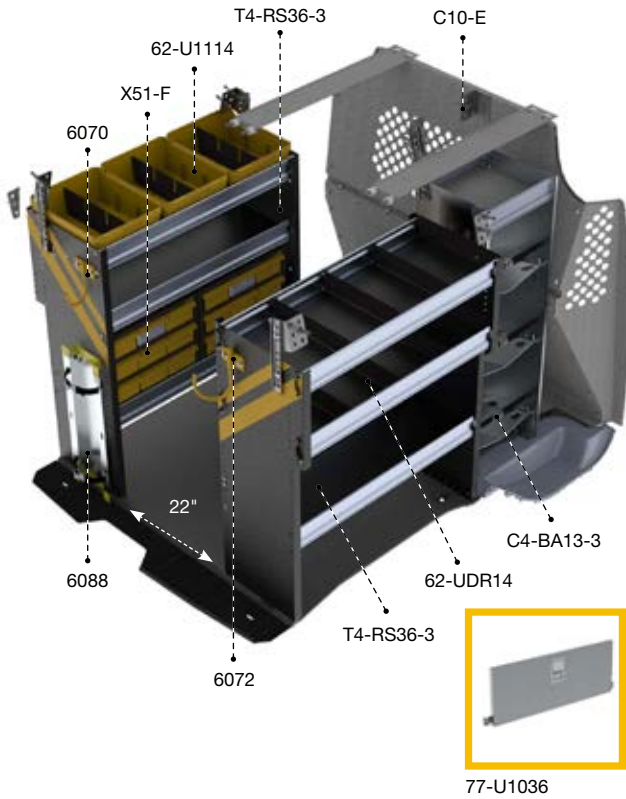
| | | |
|---------|---------|----------|
| Steel | 120.5" | Standard |
| 164 lbs | 4.5 hrs | Yes |

| Qty | Part # | Description |
|-----|-----------|---|
| 1 | 6070 | 6" Hook, 3" opening, painted |
| 1 | 6072 | 8" Swivel hook, 4" opening, painted |
| 5 | 62-U1114 | 14" deep plastic bin |
| 2 | 62-UDR14 | Set of 5 dividers for a 14" Shelf |
| 1 | 77-U1036 | Adjustable shelving door unit - 33" W - for 36" & 72" shelves |
| 1 | C10-E | Contoured steel partition with perforated window |
| 1 | T4-RS36-3 | Steel Shelving Unit for Transit Connect 14" D x 36" W x 41.5" H |
| 1 | T4-RS60-3 | Steel Shelving Unit for Transit Connect 14" D x 60" W x 41.5" H |
| 2 | X51-F | Compact 9-drawer unit |

FORD TRANSIT CONNECT



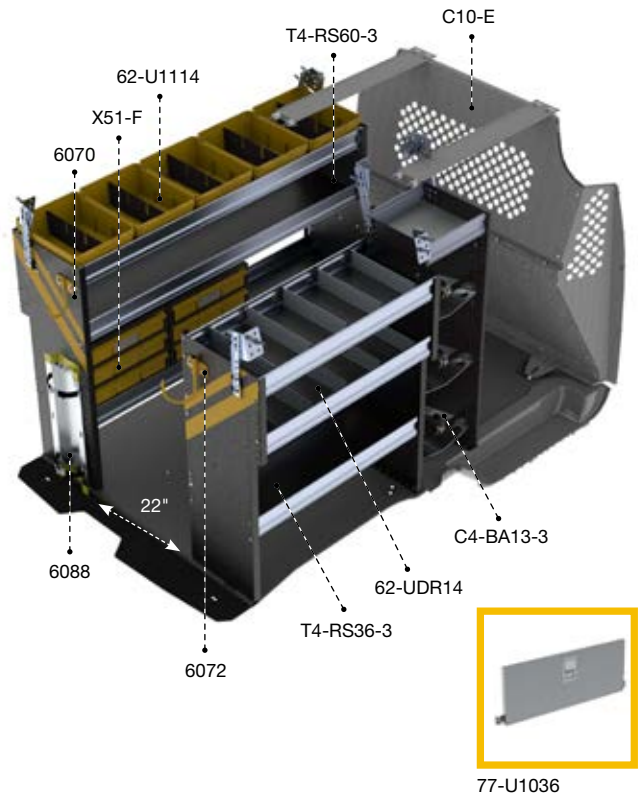
PACKAGES



TCS-12 HVAC

| | | | | | |
|--|---------|--|---------|--|----------|
| | Steel | | 105" | | Standard |
| | 254 lbs | | 5.3 hrs | | Yes |

| Qty | Part # | Description |
|-----|------------------|---|
| 1 | C4-BA13-3 | 3 Tier refrigerant rack for large bottles |
| 1 | 6070 | 6" Hook, 3" opening, painted |
| 1 | 6072 | 8" Swivel hook, 4" opening, painted |
| 1 | 6088 | Large aluminum bottle holder, with two black nylon straps |
| 3 | 62-U1114 | 14" Deep plastic bin |
| 2 | 62-UDR14 | Set of 5 dividers for a 14" shelf |
| 1 | 77-U1036 | Adjustable shelving door unit - 33" W - for 36" & 72" shelves |
| 1 | C10-E | Contoured steel partition with perforated window |
| 2 | T4-RS36-3 | Steel shelving unit for Transit Connect 14" D x 36" W x 41.5" H |
| 2 | X51-F | Compact 9-drawer unit |



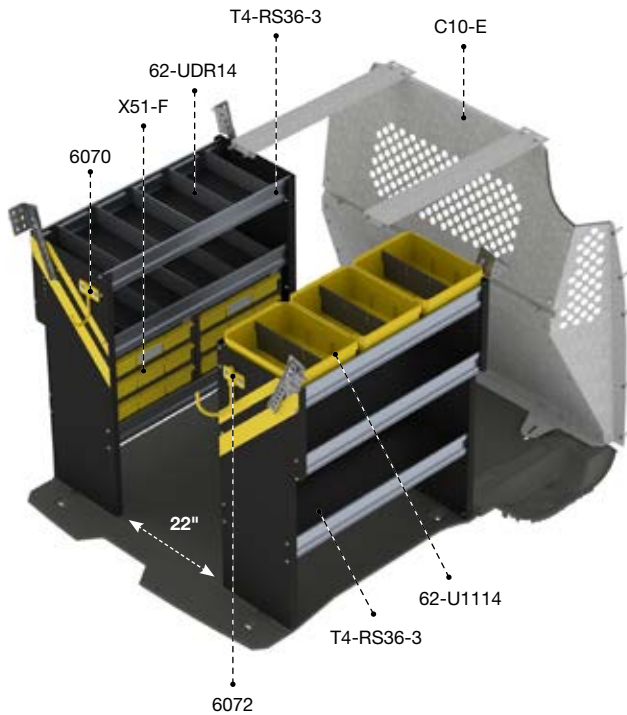
TCL-12 HVAC

| | | | | | |
|--|---------|--|---------|--|----------|
| | Steel | | 120.5" | | Standard |
| | 273 lbs | | 5.3 hrs | | Yes |

| Qty | Part # | Description |
|-----|------------------|---|
| 1 | C4-BA13-3 | 3 Tier refrigerant rack for large bottles |
| 1 | 6070 | 6" Hook, 3" opening, painted |
| 1 | 6072 | 8" Swivel hook, 4" opening, painted |
| 1 | 6088 | Large aluminum bottle holder, with two black nylon straps |
| 5 | 62-U1114 | 14" Deep plastic bin |
| 2 | 62-UDR14 | Set of 5 dividers for a 14" shelf |
| 1 | 77-U1036 | Adjustable shelving door unit - 33" W - for 36" & 72" shelves |
| 1 | C10-E | Contoured steel partition with perforated window |
| 1 | T4-RS36-3 | Steel shelving unit for Transit Connect 14" D x 36" W x 41.5" H |
| 1 | T4-RS60-3 | Steel Shelving Unit for Transit Connect 14" D x 60" W x 41.5" H |
| 2 | X51-F | Compact 9-drawer unit |



FORD TRANSIT CONNECT

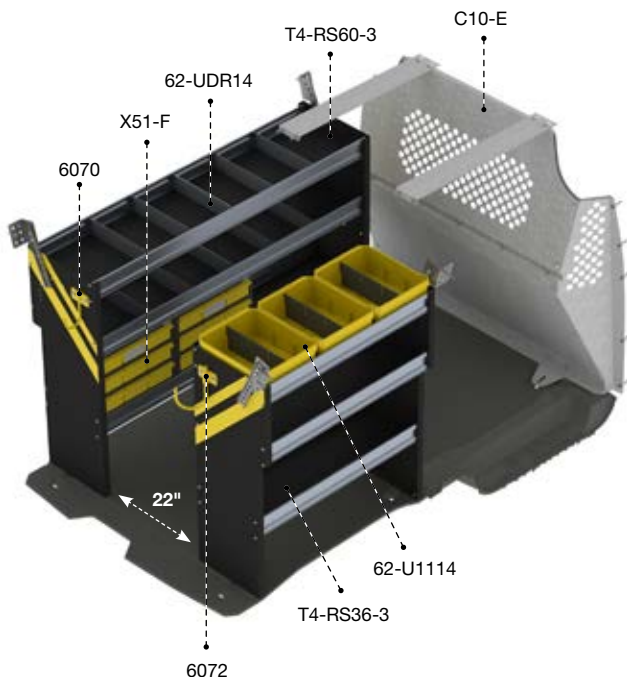


TCS-16 SERVICE

| | | |
|---------|-------|----------|
| Steel | 105" | Standard |
| 217 lbs | 4 hrs | Yes |

| Qty | Part # | Description |
|-----|-----------|--|
| 1 | 6070 | 6" Hook, 3" opening, painted |
| 1 | 6072 | 8" Swivel hook, 4" opening, painted |
| 3 | 62-U1114 | 14" deep plastic bin |
| 2 | 62-UDR14 | Set of 5 dividers for a 14" Shelf |
| 1 | C10-E | Contoured steel partition with perforated window |
| 2 | T4-RS36-3 | Steel Shelving Unit 14" D x 36" W x 41.5" H |
| 2 | X51-F | Compact 9-drawer unit |

PACKAGES



TCL-16 SERVICE

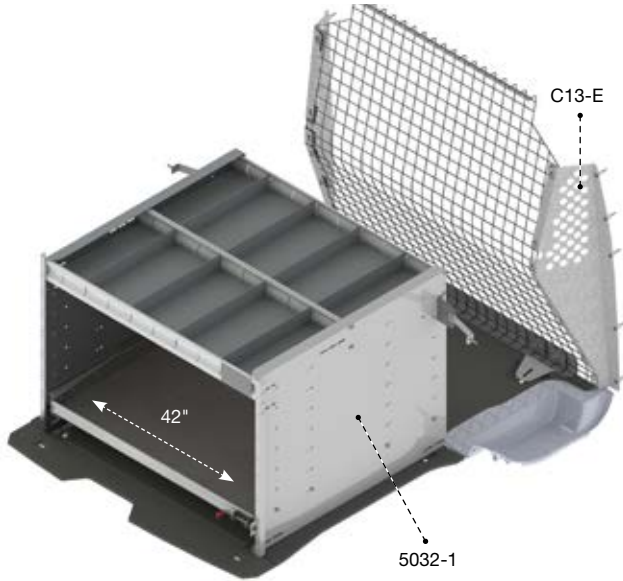
| | | |
|---------|--------|----------|
| Steel | 120.5" | Standard |
| 232 lbs | 4 hrs | Yes |

| Qty | Part # | Description |
|-----|-----------|--|
| 1 | 6070 | 6" Hook, 3" opening, painted |
| 1 | 6072 | 8" Swivel hook, 4" opening, painted |
| 3 | 62-U1114 | 14" deep plastic bin |
| 2 | 62-UDR14 | Set of 5 dividers for a 14" Shelf |
| 1 | C10-E | Contoured steel partition with perforated window |
| 1 | T4-RS36-3 | Steel Shelving Unit 14" D x 36" W x 41.5" H |
| 1 | T4-RS60-3 | Steel Shelving Unit 14" D x 60" W x 41.5" H |
| 2 | X51-F | Compact 9-drawer unit |

FORD TRANSIT CONNECT



PACKAGES

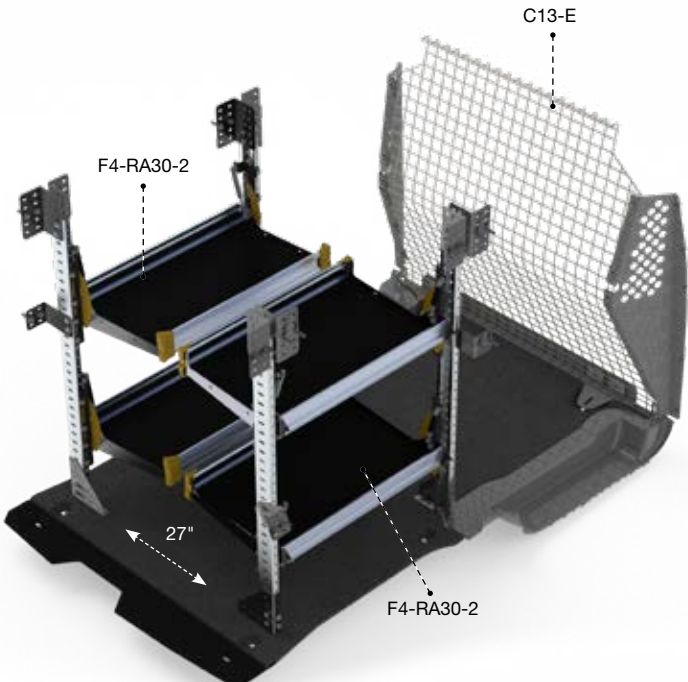


TCS-19
DELIVERY

| | | |
|----------|---------|----------|
| Aluminum | 105" | Standard |
| 126 lbs | 1.7 hrs | Yes |

| Qty | Part # | Description |
|-----|---------------|---|
| 1 | 5032-1 | Axess tray with 1 shelf and 1 drawer, 38" D x 45" W x 30" H |
| 1 | C13-E | Wire mesh partition |

Install kit # 6472 can be purchased separately.



TCL-19
DELIVERY

| | | |
|----------|---------|----------|
| Aluminum | 120.5" | Standard |
| 154 lbs | 3.9 hrs | Yes |

| Qty | Part # | Description |
|-----|------------------|---|
| 1 | C13-E | Wire mesh partition |
| 2 | F4-RA30-2 | Fold-away unit, 2 levels, 22" D x 30" W x 47" H |



SERVICE
TCL-16

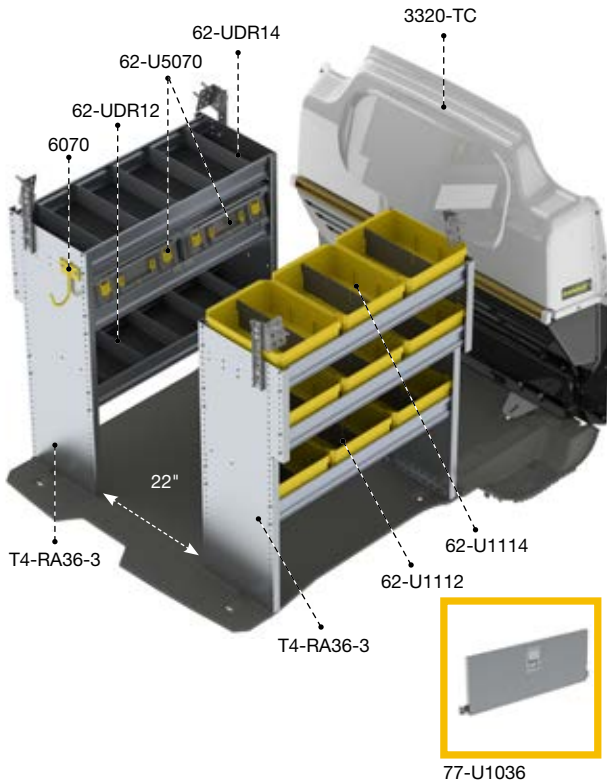
FORD TRANSIT CONNECT



FORD TRANSIT CONNECT



PACKAGES



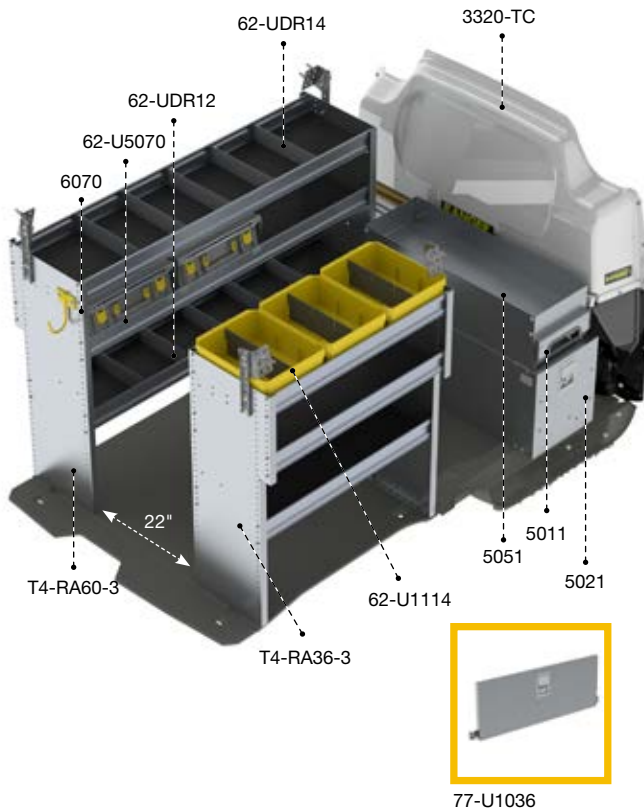
TCS-27 ALUMINUM

| | | |
|----------|---------|----------|
| Aluminum | 105" | Standard |
| 161 lbs | 4.3 hrs | Yes |

| Qty | Part # | Description |
|-----|------------------|---|
| 1 | 3320-TC | Max View countoured safety partition |
| 2 | 62-U5070 | Partskeeper carry case with holder |
| 1 | 6070 | 6" Hook, 3" opening, painted |
| 3 | 62-U1112 | 12" Deep plastic bin |
| 6 | 62-U1114 | 14" Deep plastic bin |
| 1 | 62-UDR12 | Set of 5 dividers for a 12" shelf |
| 1 | 62-UDR14 | Set of 5 dividers for a 14" shelf |
| 1 | 77-U1036 | Adjustable shelving door unit - 33" W - for 36" & 72" shelves |
| 2 | T4-RA36-3 | Aluminum shelving unit for Transit Connect 14" D x 36" W x 41.5" H |

TCL-27 ALUMINUM

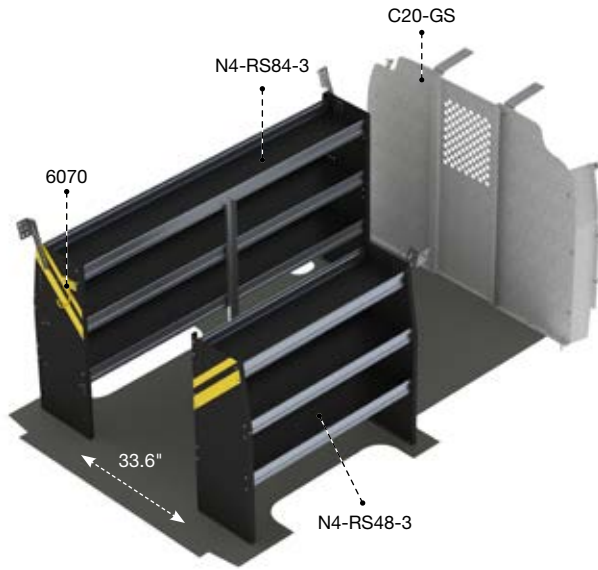
| | | |
|----------|--------|----------|
| Aluminum | 120.5" | Standard |
| 240 lbs | 6 hrs | Yes |



| Qty | Part # | Description |
|-----|------------------|---|
| 1 | 3320-TC | Max View countoured safety partition |
| 1 | 5011 | Partslider 36" D |
| 1 | 5021 | Tool drawer 36" D x 14" W x 16" H |
| 1 | 5051 | Top edge |
| 2 | 62-U5070 | Partskeeper carry case with holder |
| 1 | 6070 | 6" Hook, 3" opening, painted |
| 3 | 62-U1114 | 14" Deep plastic bin |
| 1 | 62-UDR12 | Set of 5 dividers for a 12" shelf |
| 1 | 62-UDR14 | Set of 5 dividers for a 14" shelf |
| 1 | 77-U1036 | Adjustable shelving door unit - 33" W - for 36" & 72" shelves |
| 1 | T4-RA36-3 | Aluminum shelving unit for Transit Connect 14" D x 36" W x 41.5" H |
| 1 | T4-RA60-3 | Aluminum shelving unit for Transit Connect 14" D x 60" W x 41.5" H |



GMC SAVANA

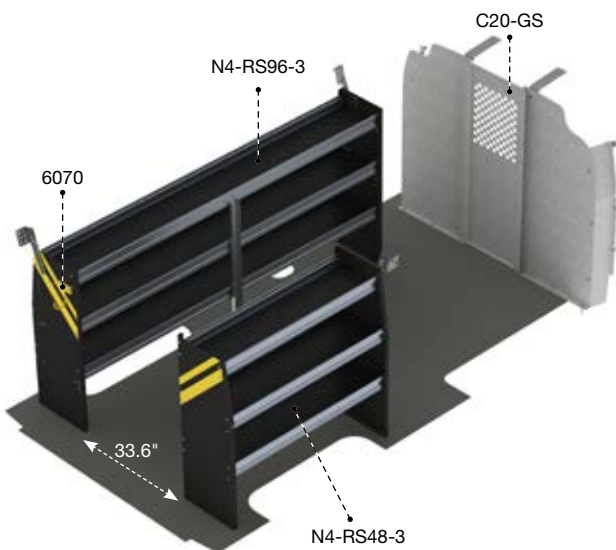


GSR-10 CONTRACTOR

| | | |
|---------|---------|----------|
| Steel | 135" | Standard |
| 203 lbs | 3.8 hrs | Yes |

| Qty | Part | Description |
|-----|-----------|--|
| 1 | 6070 | 6" Hook, 3" opening, painted |
| 1 | C20-GS | Straight steel partition with perforated window, no access |
| 1 | N4-RS48-3 | Steel shelving unit for low roof van 14" D x 48" W x 44.5" H |
| 1 | N4-RS84-3 | Steel shelving unit for low roof van 14" D x 84" W x 44.5" H |

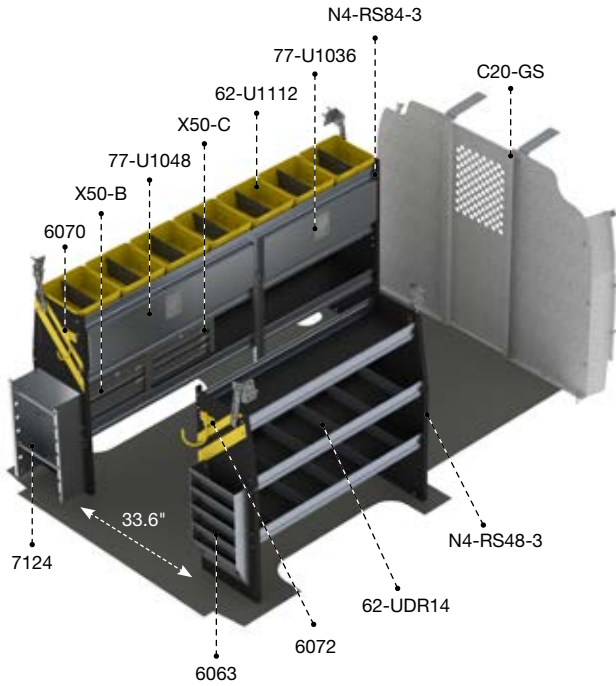
PACKAGES



GSL-10 CONTRACTOR

| | | |
|---------|---------|----------|
| Steel | 155" | Standard |
| 211 lbs | 3.8 hrs | Yes |

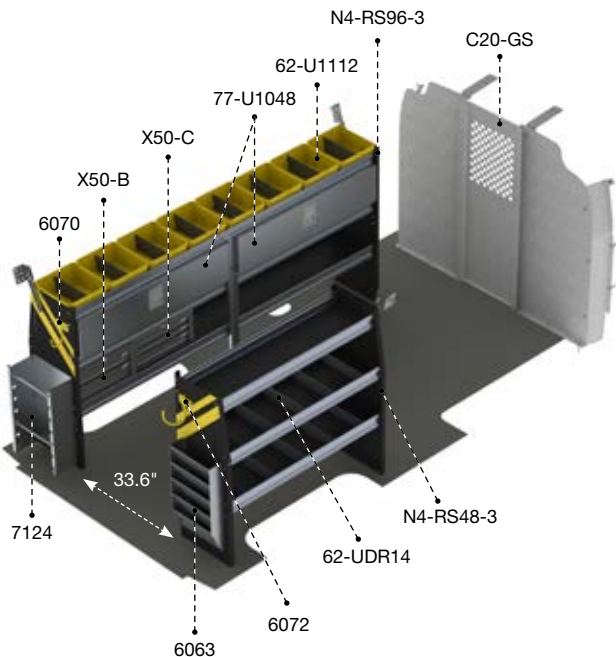
| Qty | Part | Description |
|-----|-----------|--|
| 1 | 6070 | 6" Hook, 3" opening, painted |
| 1 | C20-GS | Straight steel partition with perforated window, no access |
| 1 | N4-RS48-3 | Steel shelving unit for low roof van 14" D x 48" W x 44.5" H |
| 1 | N4-RS96-3 | Steel shelving unit for low roof van 14" D x 96" W x 44.5" H |



GSR-11 ELECTRICAL

| | | |
|---------|---------|----------|
| Steel | 135" | Standard |
| 311 lbs | 6.3 hrs | Yes |

| Qty | Part | Description |
|-----|-----------|---|
| 1 | 6063 | Paper holder, extra deep, 5 slots |
| 1 | 6070 | 6" Hook, 3" opening, painted |
| 1 | 6072 | 8" Swivel hook, 4" opening, painted |
| 1 | 7124 | Reel holder with two 5/8" diameter rods |
| 7 | 62-U1112 | 12" deep plastic bin |
| 2 | 62-UDR14 | Set of 5 dividers for a 14" Shelf |
| 1 | 77-U1036 | Adjustable shelving door unit - 33" W - for 36" & 72" shelves |
| 1 | 77-U1048 | Adjustable shelving door unit - 45" W - for 48" & 96" shelves |
| 1 | C20-GS | Straight steel partition with perforated window, no access |
| 1 | N4-RS48-3 | Steel shelving unit for low roof van 14" D x 48" W x 44.5" H |
| 1 | N4-RS84-3 | Steel shelving unit for low roof van 14" D x 84" W x 44.5" H |
| 1 | X50-B | Compact 2-drawer unit |
| 1 | X50-C | Compact 3-drawer unit |



GSL-11 ELECTRICAL

| | | |
|---------|---------|----------|
| Steel | 155" | Standard |
| 322 lbs | 6.3 hrs | Yes |

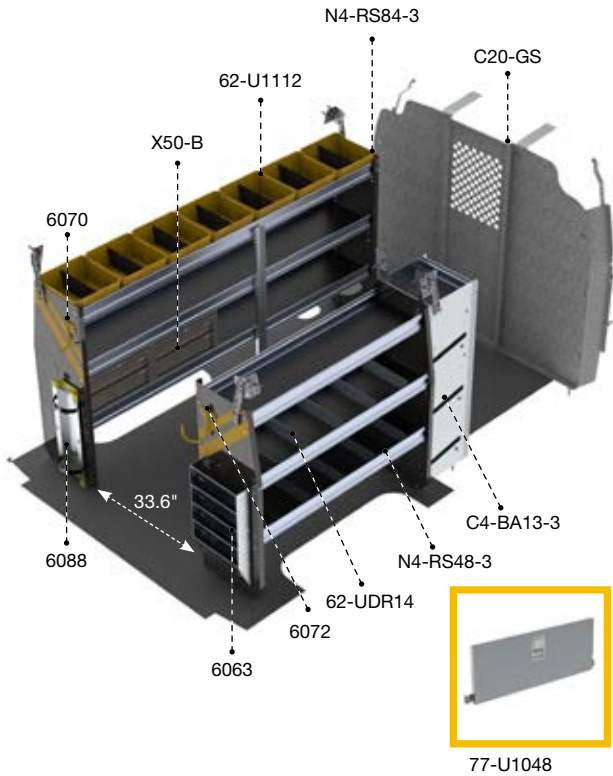
| Qty | Part | Description |
|-----|-----------|---|
| 1 | 6063 | Paper holder, extra deep, 5 slots |
| 1 | 6070 | 6" Hook, 3" opening, painted |
| 1 | 6072 | 8" Swivel hook, 4" opening, painted |
| 1 | 7124 | Reel holder with two 5/8" diameter rods |
| 8 | 62-U1112 | 12" deep plastic bin |
| 2 | 62-UDR14 | Set of 5 dividers for a 14" Shelf |
| 2 | 77-U1048 | Adjustable shelving door unit - 45" W - for 48" & 96" shelves |
| 1 | C20-GS | Straight steel partition with perforated window, no access |
| 1 | N4-RS48-3 | Steel shelving unit for low roof van 14" D x 48" W x 44.5" H |
| 1 | N4-RS96-3 | Steel shelving unit for low roof van 14" D x 96" W x 44.5" H |
| 1 | X50-B | Compact 2-drawer unit |
| 1 | X50-C | Compact 3-drawer unit |



HVAC **GSR-12**

GMC SAVANA





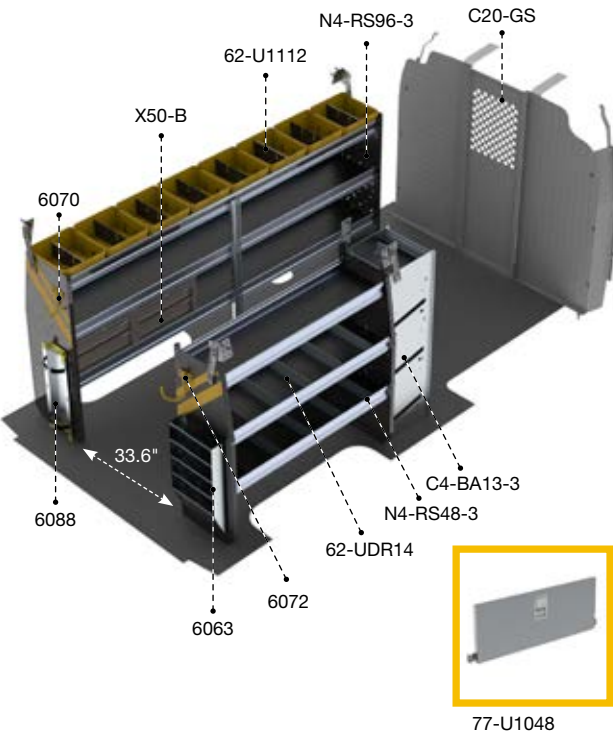
GSR-12 HVAC

| | | |
|---------|---------|----------|
| Steel | 135" | Standard |
| 320 lbs | 6.1 hrs | Yes |

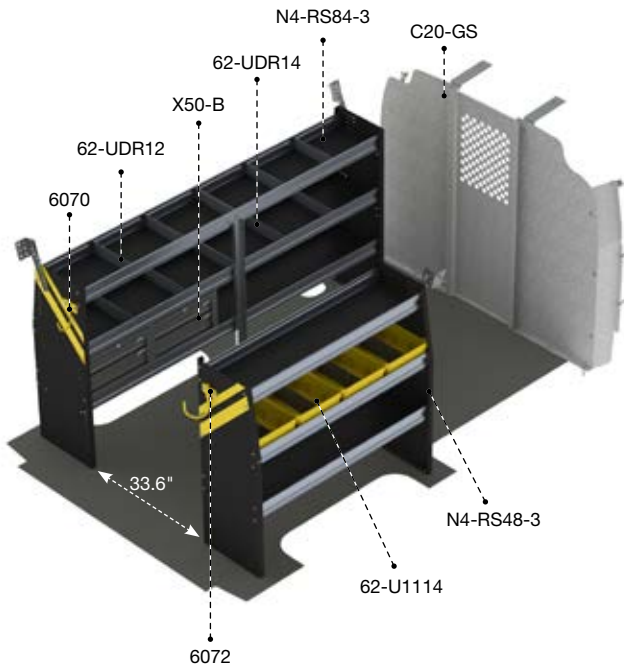
| Qty | Part | Description |
|-----|------------------|---|
| 1 | C4-BA13-3 | 3 Tier refrigerant rack for large bottles |
| 1 | 6063 | Paper holder, extra deep, 5 slots |
| 1 | 6070 | 6" Hook, 3" opening, painted |
| 1 | 6072 | 8" Swivel hook, 4" opening, painted |
| 1 | 6088 | Large aluminum bottle holder, with two black nylon straps |
| 7 | 62-U1112 | 12" deep plastic bin |
| 2 | 62-UDR14 | Set of 5 dividers for a 14" Shelf |
| 1 | 77-U1048 | Adjustable shelving door unit - 45" W - for 48" & 96" shelves |
| 1 | C20-GS | Straight steel partition with perforated window, no access |
| 1 | N4-RS48-3 | Steel shelving unit for low roof van 14" D x 48" W x 44.5" H |
| 1 | N4-RS84-3 | Steel shelving unit for low roof van 14" D x 84" W x 44.5" H |
| 2 | X50-B | Compact 2-drawer unit |

GSL-12 HVAC

| | | |
|---------|---------|----------|
| Steel | 155" | Standard |
| 330 lbs | 6.1 hrs | Yes |



| Qty | Part | Description |
|-----|------------------|---|
| 1 | C4-BA13-3 | 3 Tier refrigerant rack for large bottles |
| 1 | 6063 | Paper holder, extra deep, 5 slots |
| 1 | 6070 | 6" Hook, 3" opening, painted |
| 1 | 6072 | 8" Swivel hook, 4" opening, painted |
| 1 | 6088 | Large aluminum bottle holder, with two black nylon straps |
| 8 | 62-U1112 | 12" deep plastic bin |
| 2 | 62-UDR14 | Set of 5 dividers for a 14" Shelf |
| 1 | 77-U1048 | Adjustable shelving door unit - 45" W - for 48" & 96" shelves |
| 1 | C20-GS | Straight steel partition with perforated window, no access |
| 1 | N4-RS48-3 | Steel shelving unit for low roof van 14" D x 48" W x 44.5" H |
| 1 | N4-RS96-3 | Steel shelving unit for low roof van 14" D x 96" W x 44.5" H |
| 2 | X50-B | Compact 2-drawer unit |

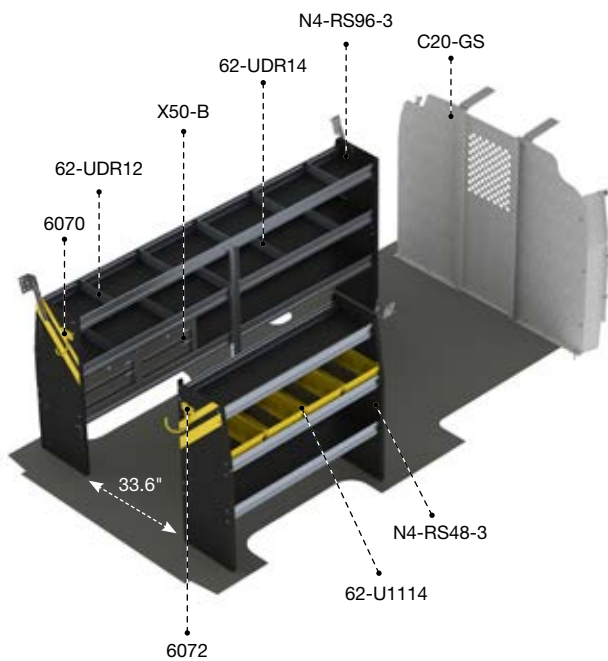


GSR-16 SERVICE

| | | |
|---------|---------|----------|
| Steel | 135" | Standard |
| 270 lbs | 4.6 hrs | Yes |

| Qty | Part | Description |
|-----|-----------|--|
| 1 | 6070 | 6" Hook, 3" opening, painted |
| 1 | 6072 | 8" Swivel hook, 4" opening, painted |
| 4 | 62-U1114 | 14" deep plastic bin |
| 1 | 62-UDR12 | Set of 5 dividers for a 12" Shelf |
| 1 | 62-UDR14 | Set of 5 dividers for a 14" Shelf |
| 1 | C20-GS | Straight steel partition with perforated window, no access |
| 1 | N4-RS48-3 | Steel shelving unit for low roof van 14" D x 48" W x 44.5" H |
| 1 | N4-RS84-3 | Steel shelving unit for low roof van 14" D x 84" W x 44.5" H |
| 2 | X50-B | Compact 2-drawer unit |

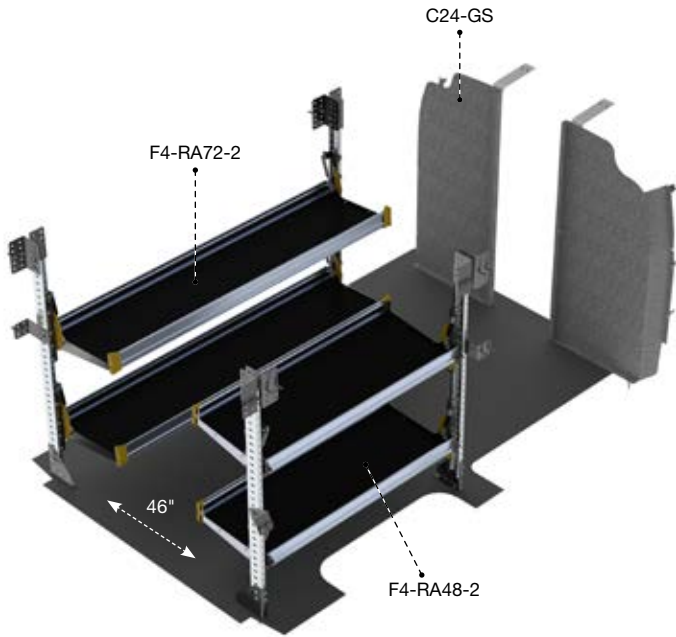
PACKAGES



GSL-16 SERVICE

| | | |
|---------|---------|----------|
| Steel | 155" | Standard |
| 278 lbs | 4.6 hrs | Yes |

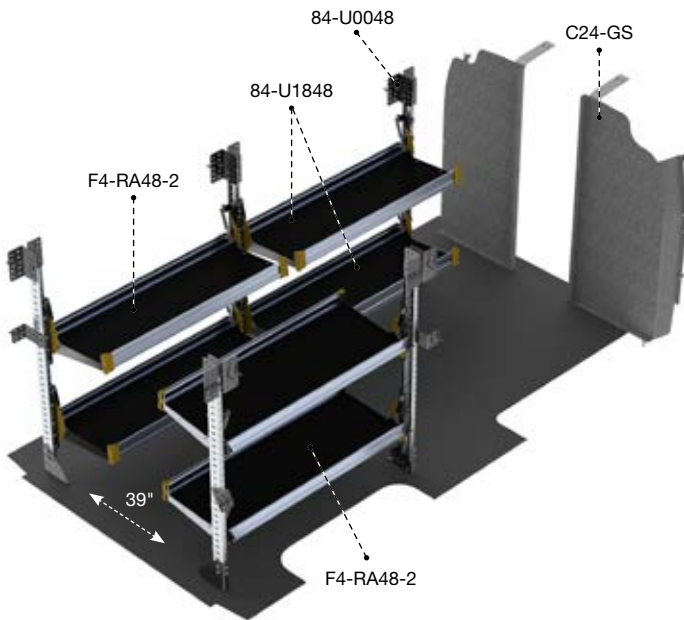
| Qty | Part | Description |
|-----|-----------|--|
| 1 | 6070 | 6" Hook, 3" opening, painted |
| 1 | 6072 | 8" Swivel hook, 4" opening, painted |
| 4 | 62-U1114 | 14" deep plastic bin |
| 1 | 62-UDR12 | Set of 5 dividers for a 12" Shelf |
| 1 | 62-UDR14 | Set of 5 dividers for a 14" Shelf |
| 1 | C20-GS | Straight steel partition with perforated window, no access |
| 1 | N4-RS48-3 | Steel shelving unit for low roof van 14" D x 48" W x 44.5" H |
| 1 | N4-RS96-3 | Steel shelving unit for low roof van 14" D x 96" W x 44.5" H |
| 2 | X50-B | Compact 2-drawer unit |



GSR-19 DELIVERY

| | | |
|----------|---------|----------|
| Aluminum | 135" | Standard |
| 195 lbs | 4.2 hrs | Yes |

| Qty | Part | Description |
|-----|------------------|---|
| 1 | C24-GS | Straight walk through steel partition |
| 1 | F4-RA72-2 | Fold-away unit, 2 levels, 22" D x 72" W x 47" H |
| 1 | F4-RA48-2 | Fold-away unit, 2 levels, 22" D x 48" W x 47" H |



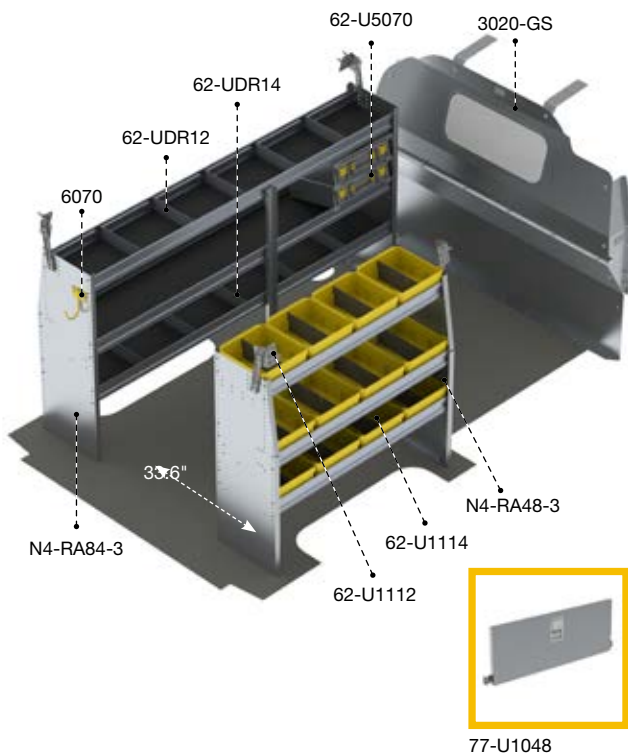
GSL-19 DELIVERY

| | | |
|----------|---------|----------|
| Aluminum | 155" | Standard |
| 239 lbs | 5.3 hrs | Yes |

| Qty | Part | Description |
|-----|------------------|---|
| 1 | 84-U0048 | Post assembly for fold-away shelving, 48" |
| 2 | 84-U1848 | Fold-away shelf tray, 18" D x 48" W |
| 1 | C24-GS | Straight walk through steel partition |
| 2 | F4-RA48-2 | Fold-away unit, 2 levels, 22" D x 48" W x 47" H |



GMC SAVANA

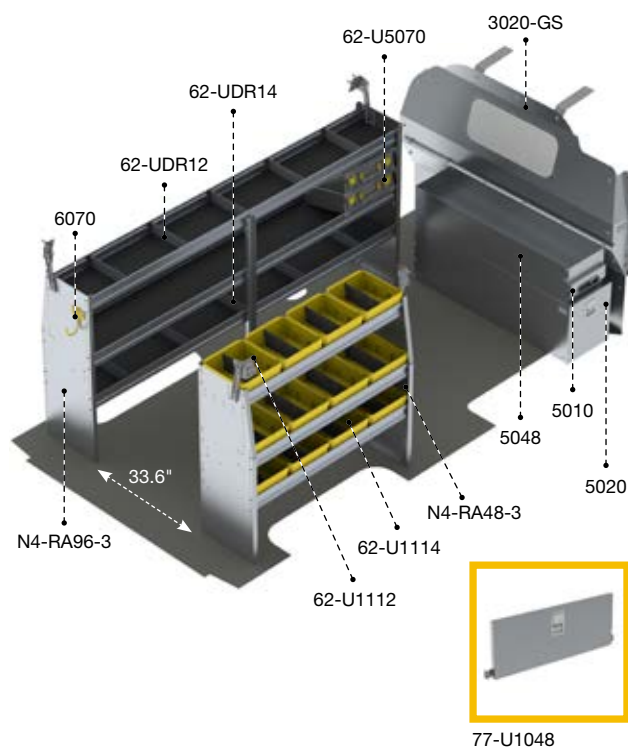


GSR-27 ALUMINUM

| | | |
|----------|---------|----------|
| Aluminum | 135" | Standard |
| 224 lbs | 4.4 hrs | Yes |

| Qty | Part | Description |
|-----|------------------|---|
| 1 | 3020-GS | Countoured safety partition with glass window |
| 2 | 62-U5070 | Partskeeper carry case with holder |
| 1 | 6070 | 6" Hook, 3" opening, painted |
| 4 | 62-U1112 | 12" deep plastic bin |
| 8 | 62-U1114 | 14" deep plastic bin |
| 1 | 62-UDR12 | Set of 5 dividers for a 12" Shelf |
| 1 | 62-UDR14 | Set of 5 dividers for a 14" Shelf |
| 1 | 77-U1048 | Adjustable shelving door unit - 45" W - for 48" & 96" shelves |
| 1 | N4-RA48-3 | Aluminum shelving unit for low roof van 14" D x 48" W x 44.5" H |
| 1 | N4-RA84-3 | Aluminum shelving unit for low roof van 14" D x 84" W x 44.5" H |

PACKAGES



GSL-27 ALUMINUM

| | | |
|----------|---------|----------|
| Aluminum | 155" | Standard |
| 339 lbs | 6.1 hrs | Yes |

| Qty | Part | Description |
|-----|------------------|---|
| 1 | 3020-GS | Countoured safety partition with glass window |
| 1 | 5010 | Partslider drawer 48" D |
| 1 | 5020 | Tool Drawer 48" D x 14" W x 16" H |
| 1 | 5048 | Top edge |
| 2 | 62-U5070 | Partskeeper carry case with holder |
| 1 | 6070 | 6" Hook, 3" opening, painted |
| 4 | 62-U1112 | 12" deep plastic bin |
| 8 | 62-U1114 | 14" deep plastic bin |
| 1 | 62-UDR12 | Set of 5 dividers for a 12" Shelf |
| 1 | 62-UDR14 | Set of 5 dividers for a 14" Shelf |
| 1 | 77-U1048 | Adjustable shelving door unit - 45" W - for 48" & 96" shelves |
| 1 | N4-RA48-3 | Aluminum shelving unit for low roof van 14" D x 48" W x 44.5" H |
| 1 | N4-RA96-3 | Aluminum shelving unit for low roof van 14" D x 96" W x 44.5" H |

MERCEDES-BENZ METRIS



PACKAGES

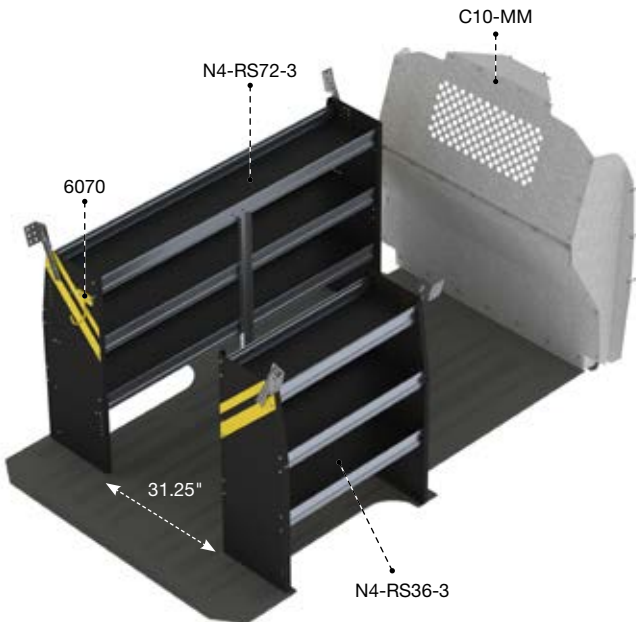


MMR-10 CONTRACTOR

| | | |
|---------|------------|----------|
| Steel | 126", 135" | Standard |
| 164 lbs | 3.2 hrs | Yes |

| Qty | Part # | Description |
|-----|-----------|--|
| 1 | 6070 | 6" Hook, 3" opening, painted |
| 1 | C10-MM | Contoured steel partition with perforated window |
| 2 | N4-RS36-3 | Steel shelving unit for low roof van 14" D x 36" W x 46.5" H |

The Base package is designed to fit in a Metris with dual sliding doors.



MML-10 CONTRACTOR

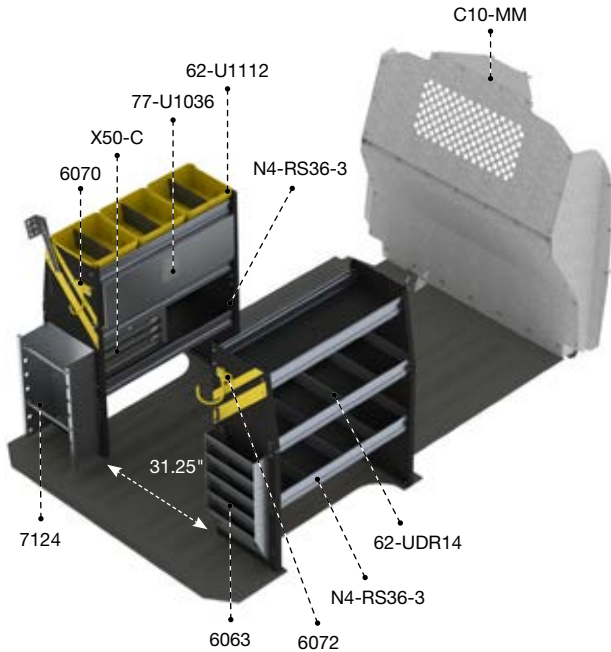
| | | |
|---------|------------|----------|
| Steel | 126", 135" | Standard |
| 189 lbs | 3.3 hrs | Yes |

| Qty | Part # | Description |
|-----|-----------|--|
| 1 | 6070 | 6" Hook, 3" opening, painted |
| 1 | C10-MM | Contoured steel partition with perforated window |
| 1 | N4-RS36-3 | Steel shelving unit for low roof van 14" D x 36" W x 46.5" H |
| 1 | N4-RS72-3 | Steel shelving unit for low roof van 14" D x 72" W x 46.5" H |

The Deluxe package is designed to fit in a Metris with a single sliding door.



MERCEDES-BENZ METRIS



MMR-11
ELECTRICAL

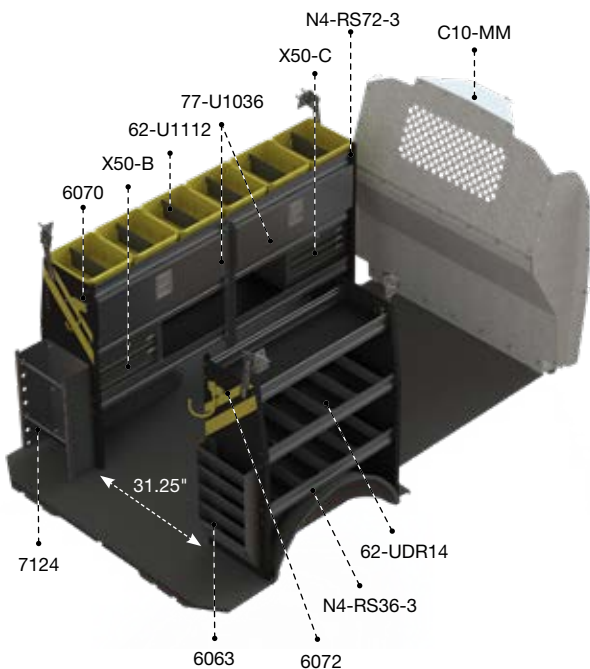
| | | | | | |
|--|---------|--|------------|--|----------|
| | Steel | | 126", 135" | | Standard |
| | 229 lbs | | 4.9 hrs | | Yes |

| Qty | Part # | Description |
|-----|-----------|---|
| 1 | 6063 | Paper holder, extra deep, 5 slots |
| 1 | 6070 | 6" Hook, 3" opening, painted |
| 1 | 6072 | 8" Swivel hook, 4" opening, painted |
| 3 | 62-U1112 | 12" Deep plastic bin |
| 2 | 62-UDR14 | Set of 5 dividers for a 14" shelf |
| 1 | 7124 | Reel holder with two 5/8" diameter rods |
| 1 | 77-U1036 | Adjustable shelving door unit - 33" W - for 36" & 72" shelves |
| 1 | C10-MM | Contoured steel partition with perforated window |
| 2 | N4-RS36-3 | Steel shelving unit for low roof van 14" D x 36" W x 46.5" H |
| 1 | X50-C | Compact 3-drawer unit |

The Base package is designed to fit in a Metris with dual sliding doors.

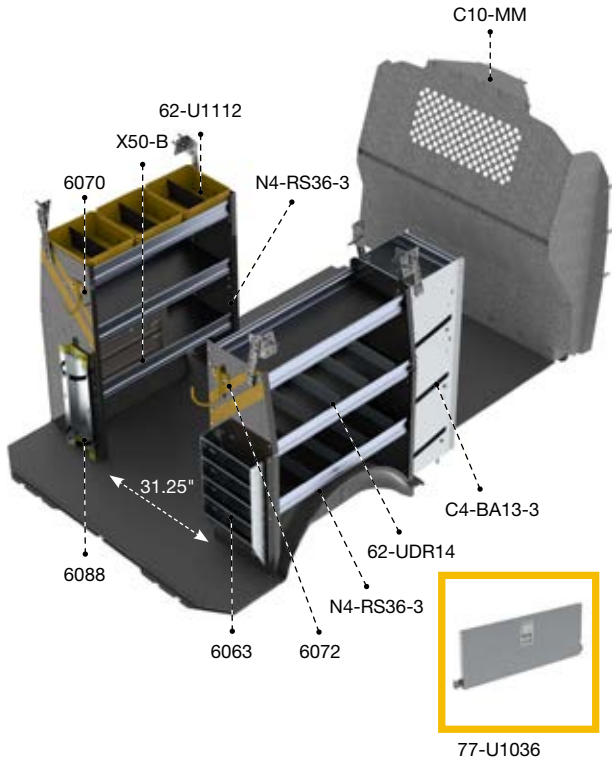
MML-11
ELECTRICAL

| | | | | | |
|--|---------|--|------------|--|----------|
| | Steel | | 126", 135" | | Standard |
| | 293 lbs | | 5.8 hrs | | Yes |



| Qty | Part # | Description |
|-----|-----------|---|
| 1 | 6063 | Paper holder, extra deep, 5 slots |
| 1 | 6070 | 6" Hook, 3" opening, painted |
| 1 | 6072 | 8" Swivel hook, 4" opening, painted |
| 6 | 62-U1112 | 12" Deep plastic bin |
| 2 | 62-UDR14 | Set of 5 dividers for a 14" shelf |
| 1 | 7124 | Reel holder with two 5/8" diameter rods |
| 2 | 77-U1036 | Adjustable shelving door unit - 33" W - for 36" & 72" shelves |
| 1 | C10-MM | Contoured steel partition with perforated window |
| 1 | N4-RS36-3 | Steel shelving unit for low roof van 14" D x 36" W x 44.5" H |
| 1 | N4-RS72-3 | Steel shelving unit for low roof van 14" D x 72" W x 44.5" H |
| 1 | X50-B | Compact 2-drawer unit |
| 1 | X50-C | Compact 3-drawer unit |

The Deluxe package is designed to fit in a Metris with a single sliding door.



MMR-12 HVAC

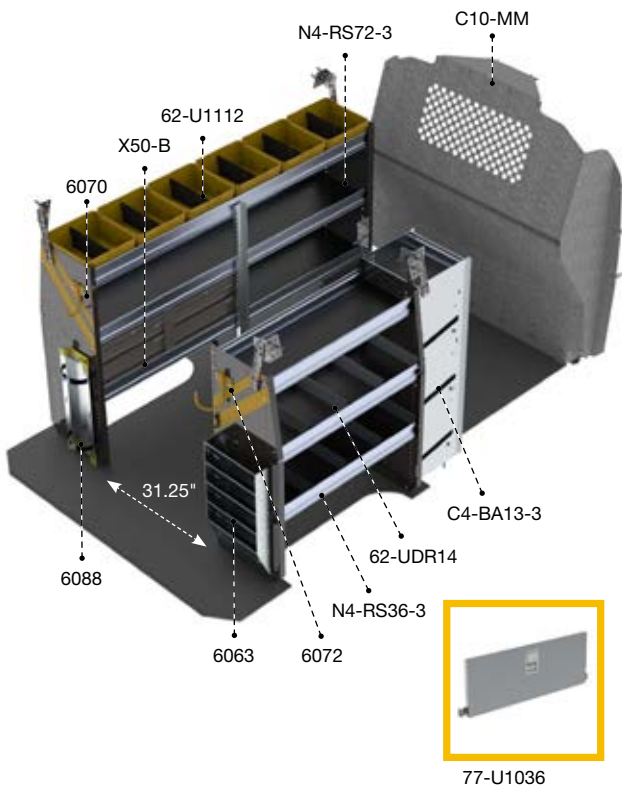
| | | | | | |
|--|---------|--|------------|--|----------|
| | Steel | | 126", 135" | | Standard |
| | 246 lbs | | 5.2 hrs | | Yes |

| Qty | Part # | Description |
|-----|------------------|---|
| 1 | C4-BA13-3 | 3 Tier refrigerant rack for large bottles |
| 1 | 6063 | Paper holder, extra deep, 5 slots |
| 1 | 6070 | 6" Hook, 3" opening, painted |
| 1 | 6072 | 8" Swivel hook, 4" opening, painted |
| 1 | 6088 | Large aluminum bottle holder, with two black nylon straps |
| 3 | 62-U1112 | 12" deep plastic bin |
| 2 | 62-UDR14 | Set of 5 dividers for a 14" Shelf |
| 1 | 77-U1036 | Adjustable shelving door unit - 33" W - for 36" & 72" shelves |
| 1 | C10-MM | Contoured steel partition with perforated window |
| 2 | N4-RS36-3 | Steel shelving unit for low roof van 14" D x 36" W x 44.5" H |
| 1 | X50-B | 2 Drawer Cabinet |

The Base package is designed to fit in a Metris with dual sliding doors.

MML-12 HVAC

| | | | | | |
|--|---------|--|------------|--|----------|
| | Steel | | 126", 135" | | Standard |
| | 303 lbs | | 5.6 hrs | | Yes |

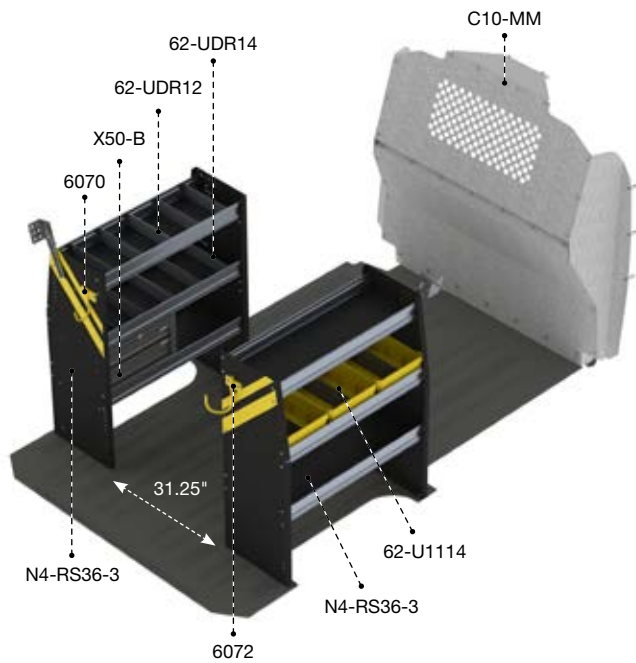


| Qty | Part # | Description |
|-----|------------------|---|
| 1 | C4-BA13-3 | 3 Tier refrigerant rack for large bottles |
| 1 | 6063 | Paper holder, extra deep, 5 slots |
| 1 | 6070 | 6" Hook, 3" opening, painted |
| 1 | 6072 | 8" Swivel hook, 4" opening, painted |
| 1 | 6088 | Large aluminum bottle holder, with two black nylon straps |
| 6 | 62-U1112 | 12" deep plastic bin |
| 2 | 62-UDR14 | Set of 5 dividers for a 14" Shelf |
| 1 | 77-U1036 | Adjustable shelving door unit - 33" W - for 36" & 72" shelves |
| 1 | C10-MM | Contoured steel partition with perforated window |
| 1 | N4-RS36-3 | Steel shelving unit for low roof van 14" D x 36" W x 44.5" H |
| 1 | N4-RS72-3 | Steel shelving unit for low roof van 14" D x 72" W x 44.5" H |
| 2 | X50-B | 2 Drawer Cabinet |

The Deluxe package is designed to fit in a Metris with a single sliding door.



MERCEDES-BENZ **METRIS**

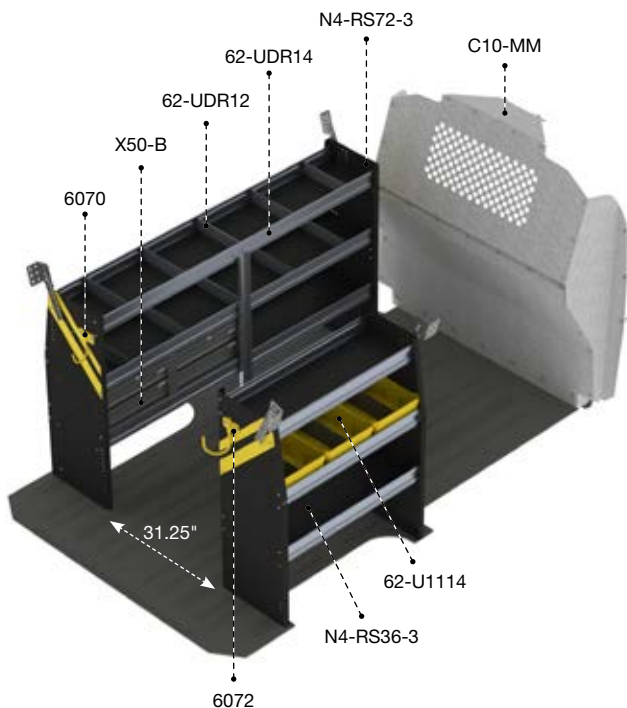


MMR-16
SERVICE

| | | | | | |
|--|---------|--|------------|--|----------|
| | Steel | | 126", 135" | | Standard |
| | 203 lbs | | 3.7 hrs | | Yes |

| Qty | Part # | Description |
|-----|-----------|--|
| 1 | 6070 | 6" Hook, 3" opening, painted |
| 1 | 6072 | 8" Swivel hook, 4" opening, painted |
| 3 | 62-U1114 | 14" Deep plastic bin |
| 1 | 62-UDR12 | Set of 5 dividers for a 12" shelf |
| 1 | 62-UDR14 | Set of 5 dividers for a 14" shelf |
| 1 | C10-MM | Contoured steel partition with perforated window |
| 2 | N4-RS36-3 | Steel shelving unit for low roof van 14" D x 36" W x 44.5" H |
| 1 | X50-B | Compact 2-drawer unit |

The Base package is designed to fit in a Metris with dual sliding doors.



MML-16
SERVICE

| | | | | | |
|--|---------|--|------------|--|----------|
| | Steel | | 126", 135" | | Standard |
| | 254 lbs | | 4.1 hrs | | Yes |

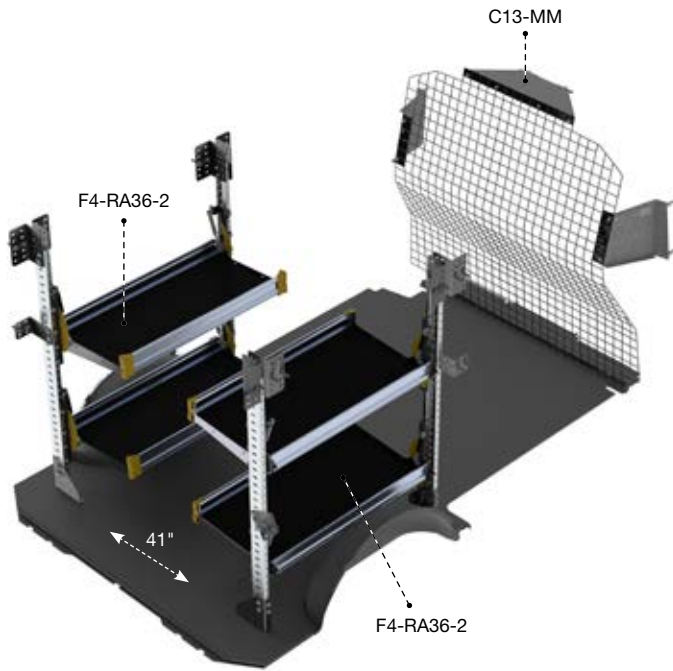
| Qty | Part # | Description |
|-----|-----------|--|
| 1 | 6070 | 6" Hook, 3" opening, painted |
| 1 | 6072 | 8" Swivel hook, 4" opening, painted |
| 3 | 62-U1114 | 14" Deep plastic bin |
| 1 | 62-UDR12 | Set of 5 dividers for a 12" shelf |
| 1 | 62-UDR14 | Set of 5 dividers for a 14" shelf |
| 1 | C10-MM | Contoured steel partition with perforated window |
| 1 | N4-RS36-3 | Steel shelving unit for low roof van 14" D x 36" W x 44.5" H |
| 1 | N4-RS72-3 | Steel shelving unit for low roof van 14" D x 72" W x 44.5" H |
| 2 | X50-B | Compact 2-drawer unit |

The Deluxe package is designed to fit in a Metris with a single sliding door.

MERCEDES-BENZ METRIS



PACKAGES



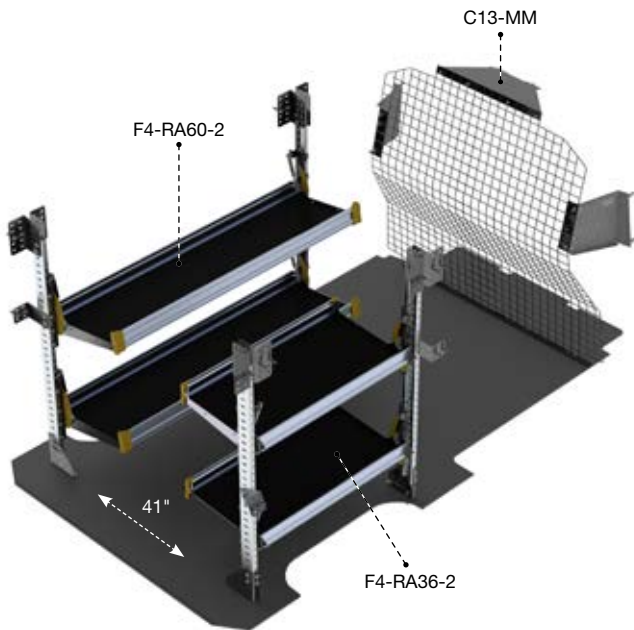
MMR-19

DELIVERY

| | | |
|----------|------------|----------|
| Aluminum | 126", 135" | Standard |
| 159 lbs | 4.4 hrs | Yes |

| Qty | Part # | Description |
|-----|------------------|---|
| 1 | C13-MM | Wire mesh partition |
| 2 | F4-RA36-2 | Fold-away unit, 2 levels, 22" D x 36" W x 47" H |

The Base package is designed to fit in a Metris with dual sliding doors.



MML-19

DELIVERY

| | | |
|----------|------------|----------|
| Aluminum | 126", 135" | Standard |
| 171 lbs | 4.4 hrs | Yes |

| Qty | Part # | Description |
|-----|------------------|---|
| 1 | C13-MM | Wire mesh partition |
| 1 | F4-RA60-2 | Fold-away unit, 2 levels, 22" D x 60" W x 47" H |
| 1 | F4-RA36-2 | Fold-away unit, 2 levels, 22" D x 36" W x 47" H |

The Deluxe package is designed to fit in a Metris with a single sliding door.



ALUMINUM **MML-27**

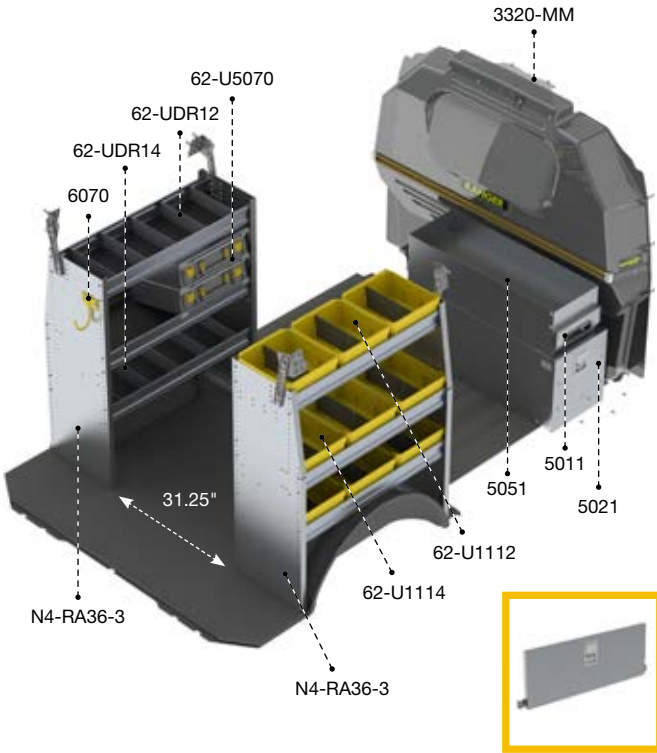
MERCEDES-BENZ METRIS



MERCEDES-BENZ METRIS



PACKAGES



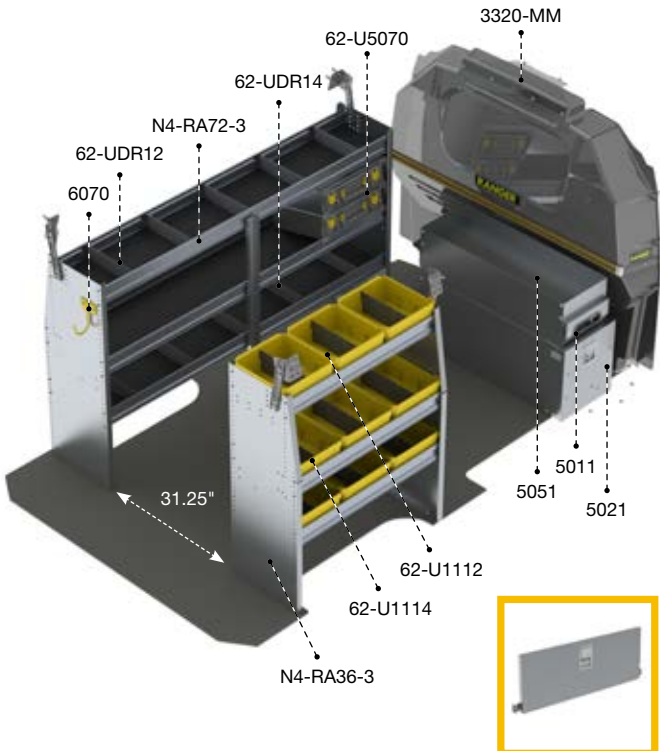
MMR-27 ALUMINUM

| | | |
|----------|------------|----------|
| Aluminum | 126", 135" | Standard |
| 252 lbs | 6.2 hrs | Yes |

| Qty | Part # | Description |
|-----|-----------|---|
| 1 | 3320-MM | Max view contoured safety partition |
| 1 | 5011 | Partslider 36" D |
| 1 | 5021 | Tool drawer 36" D x 14" W x 16" H |
| 1 | 5051 | Top edge |
| 2 | 62-U5070 | Partskeeper carry case with holder |
| 1 | 6070 | 6" Hook, 3" opening, painted |
| 3 | 62-U1112 | 14" Deep plastic bin |
| 6 | 62-U1114 | 14" Deep plastic bin |
| 1 | 62-UDR12 | Set of 5 dividers for a 12" shelf |
| 1 | 62-UDR14 | Set of 5 dividers for a 14" shelf |
| 1 | 77-U1036 | Adjustable shelving door unit - 33" W - for 36" & 72" shelves |
| 2 | N4-RA36-3 | Aluminum shelving unit for low roof van 14" D x 36" W x 44.5" H |

The Base package is designed to fit in a Metris with dual sliding doors.

77-U1036



MML-27 ALUMINUM

| | | |
|----------|------------|----------|
| Aluminum | 126", 135" | Standard |
| 276 lbs | 6.3 hrs | Yes |

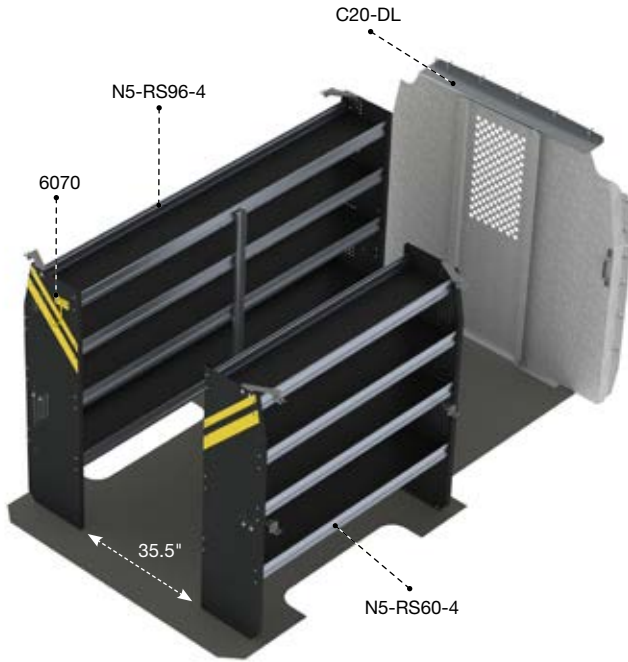
| Qty | Part # | Description |
|-----|-----------|---|
| 1 | 3320-MM | Max view contoured safety partition |
| 1 | 5011 | Partslider 36" D |
| 1 | 5021 | Tool drawer 36" D x 14" W x 16" H |
| 1 | 5051 | Top edge |
| 2 | 62-U5070 | Partskeeper carry case with holder |
| 1 | 6070 | 6" Hook, 3" opening, painted |
| 3 | 62-U1112 | 12" Deep plastic bin |
| 6 | 62-U1114 | 14" Deep plastic bin |
| 1 | 62-UDR12 | Set of 5 dividers for a 12" shelf |
| 1 | 62-UDR14 | Set of 5 dividers for a 14" shelf |
| 1 | 77-U1036 | Adjustable shelving door unit - 33" W - for 36" & 72" shelves |
| 1 | N4-RA36-3 | Aluminum shelving unit for low roof van 14" D x 36" W x 44.5" H |
| 1 | N4-RA72-3 | Aluminum shelving unit for low roof van 14" D x 72" W x 44.5" H |

The Deluxe package is designed to fit in a Metris with a single sliding door.

77-U1036



MERCEDES-BENZ **SPRINTER**

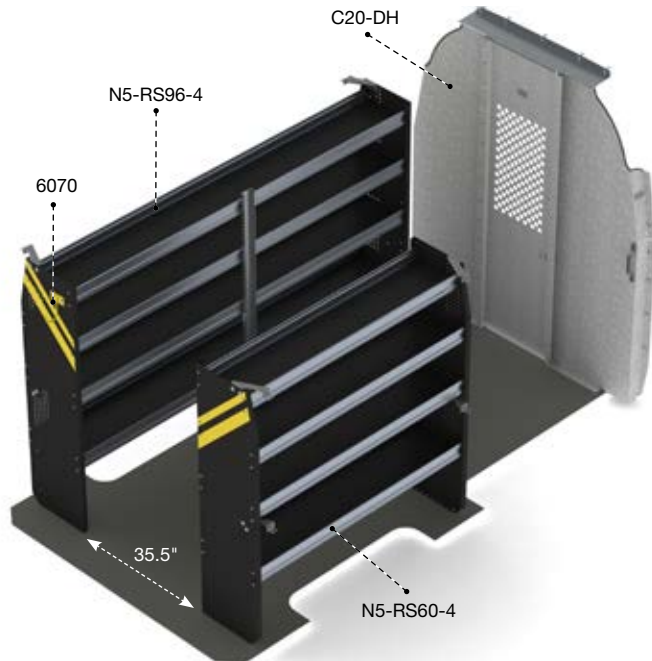


DLS-10
CONTRACTOR

| | | |
|---------|---------|----------|
| Steel | 144" | Low Roof |
| 291 lbs | 3.8 hrs | Yes |

| Qty | Part # | Description |
|-----|-----------|--|
| 1 | 6070 | 6" Hook, 3" opening, painted |
| 1 | C20-DL | Straight partition with perforated window, no access |
| 1 | N5-RS60-4 | Steel shelving unit for high roof van, 14" D x 60" W x 62" H |
| 1 | N5-RS96-4 | Steel shelving unit for high roof van, 14" D x 96" W x 62" H |

PACKAGES



DHS-10
CONTRACTOR

| | | |
|---------|---------|-----------|
| Steel | 144" | High Roof |
| 300 lbs | 3.8 hrs | Yes |

| Qty | Part # | Description |
|-----|-----------|--|
| 1 | 6070 | 6" Hook, 3" opening, painted |
| 1 | C20-DH | Straight partition with perforated window, no access |
| 1 | N5-RS60-4 | Steel shelving unit for high roof van, 14" D x 60" W x 62" H |
| 1 | N5-RS96-4 | Steel shelving unit for high roof van, 14" D x 96" W x 62" H |



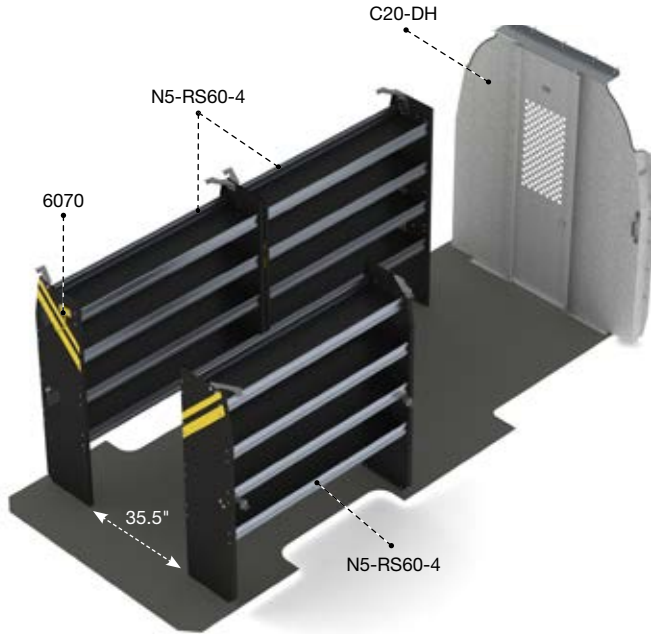
ELECTRICAL
DHS-11

MERCEDES-BENZ **SPRINTER**





MERCEDES-BENZ SPRINTER

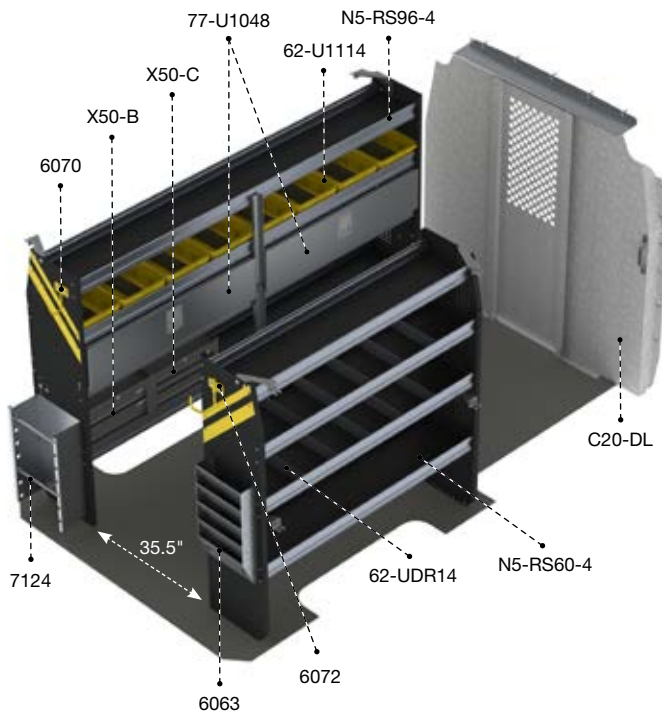


DHL-10 CONTRACTOR

| | | |
|---------|-----------------|-----------|
| Steel | 170", 170" Ext. | High Roof |
| 355 lbs | 4.8 hrs | Yes |

| Qty | Part # | Description |
|-----|-----------|--|
| 1 | 6070 | 6" Hook, 3" opening, painted |
| 1 | C20-DH | Straight partition with perforated window, no access |
| 3 | N5-RS60-4 | Steel shelving unit for high roof van, 14" D x 60" W x 62" H |

PACKAGES



DLS-11 ELECTRICAL

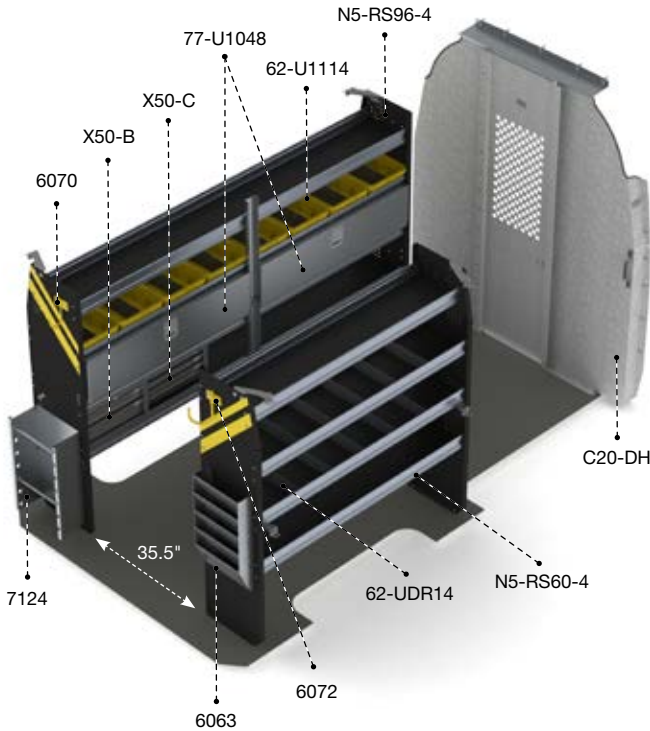
| | | |
|---------|---------|----------|
| Steel | 144" | Low Roof |
| 404 lbs | 6.3 hrs | Yes |

| Qty | Part # | Description |
|-----|-----------|---|
| 1 | 6063 | Paper holder, extra deep, 5 slots |
| 1 | 6070 | 6" Hook, 3" opening, painted |
| 1 | 6072 | 8" Swivel hook, 4" opening, painted |
| 8 | 62-U1114 | 14" Deep plastic bin |
| 2 | 62-UDR14 | Set of 5 dividers for a 14" shelf |
| 1 | 7124 | Reel holder with two 5/8" diameter rods |
| 2 | 77-U1048 | Adjustable shelving door unit - 45" W - for 48" & 96" shelves |
| 1 | C20-DL | Straight partition with perforated window, no access |
| 1 | N5-RS60-4 | Steel shelving unit for high roof van, 14" D x 60" W x 62" H |
| 1 | N5-RS96-4 | Steel shelving unit for high roof van, 14" D x 96" W x 62" H |
| 1 | X50-B | Compact 2-drawer unit |
| 1 | X50-C | Compact 3-drawer unit |

MERCEDES-BENZ SPRINTER



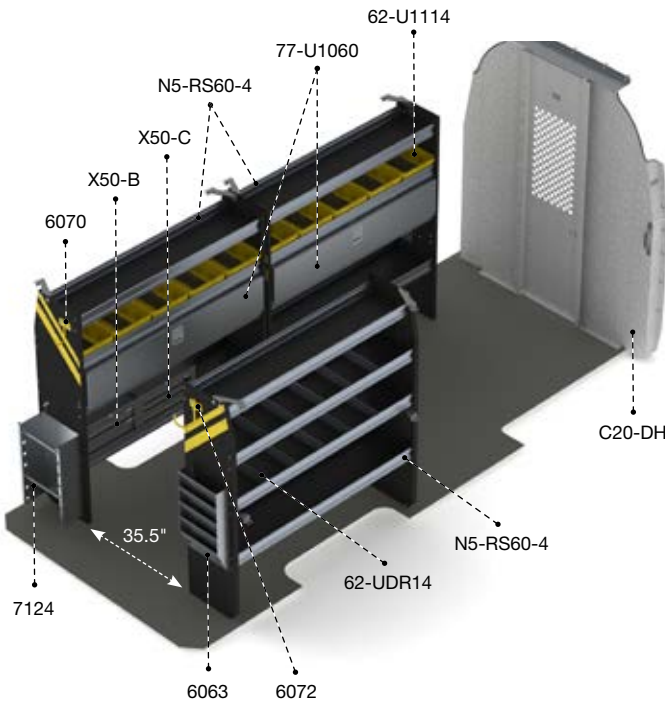
PACKAGES



DHS-11 ELECTRICAL

| | | | | | |
|--|---------|--|---------|--|-----------|
| | Steel | | 144" | | High Roof |
| | 413 lbs | | 6.3 hrs | | Yes |

| Qty | Part # | Description |
|-----|-----------|---|
| 1 | 6063 | Paper holder, extra deep, 5 slots |
| 1 | 6070 | 6" Hook, 3" opening, painted |
| 1 | 6072 | 8" Swivel hook, 4" opening, painted |
| 8 | 62-U1114 | 14" Deep plastic bin |
| 2 | 62-UDR14 | Set of 5 dividers for a 14" shelf |
| 1 | 7124 | Reel holder with two 5/8" diameter rods |
| 2 | 77-U1048 | Adjustable shelving door unit - 45" W - for 48" & 96" shelves |
| 1 | C20-DH | Straight partition with perforated window, no access |
| 1 | N5-RS60-4 | Steel shelving unit for high roof van, 14" D x 60" W x 62" H |
| 1 | N5-RS96-4 | Steel shelving unit for high roof van, 14" D x 96" W x 62" H |
| 1 | X50-B | Compact 2-drawer unit |
| 1 | X50-C | Compact 3-drawer unit |



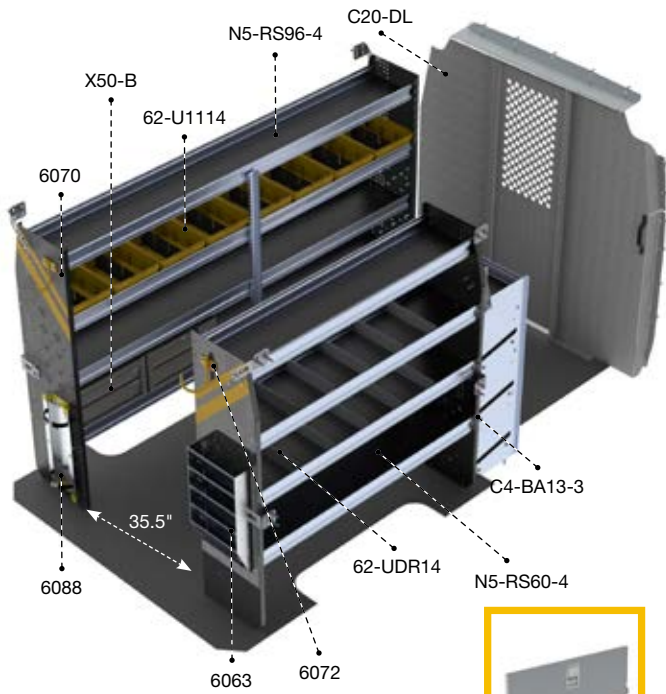
DHL-11 ELECTRICAL

| | | | | | |
|--|---------|--|-----------------|--|-----------|
| | Steel | | 170", 170" Ext. | | High Roof |
| | 475 lbs | | 7.3 hrs | | Yes |

| Qty | Part # | Description |
|-----|-----------|--|
| 1 | 6063 | Paper holder, extra deep, 5 slots |
| 1 | 6070 | 6" Hook, 3" opening, painted |
| 1 | 6072 | 8" Swivel hook, 4" opening, painted |
| 10 | 62-U1114 | 14" Deep plastic bin |
| 2 | 62-UDR14 | Set of 5 dividers for a 14" shelf |
| 1 | 7124 | Reel holder with two 5/8" diameter rods |
| 2 | 77-U1060 | Adjustable shelving door unit - 57" W - for 60" shelves |
| 1 | C20-DH | Straight partition with perforated window, no access |
| 3 | N5-RS60-4 | Steel shelving unit for high roof van, 14" D x 60" W x 62" H |
| 1 | X50-B | Compact 2-drawer unit |
| 1 | X50-C | Compact 3-drawer unit |



MERCEDES-BENZ **SPRINTER**



77-U1060

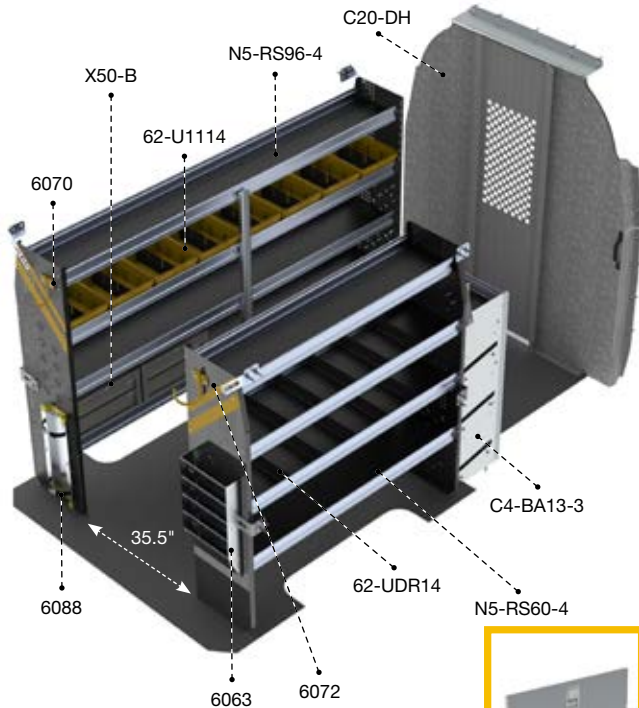
DLS-12

HVAC

| | | |
|---------|---------|----------|
| Steel | 144" | Low Roof |
| 414 lbs | 6.1 hrs | Yes |

| Qty | Part # | Description |
|-----|------------------|--|
| 1 | C4-BA13-3 | 3 Tier refrigerant rack for large bottles |
| 1 | 6063 | Paper holder, extra deep, 5 slots |
| 1 | 6070 | 6" Hook, 3" opening, painted |
| 1 | 6072 | 8" Swivel hook, 4" opening, painted |
| 1 | 6088 | Large aluminum bottle holder, with two black nylon straps |
| 8 | 62-U1114 | 14" Deep plastic bin |
| 2 | 62-UDR14 | Set of 5 dividers for a 14" shelf |
| 1 | 77-U1060 | Adjustable shelving door unit - 57" W - for 60" shelves |
| 1 | C20-DL | Straight partition with perforated window, no access |
| 1 | N5-RS60-4 | Steel shelving unit for high roof van, 14" D x 60" W x 62" H |
| 1 | N5-RS96-4 | Steel shelving unit for high roof van, 14" D x 96" W x 62" H |
| 2 | X50-B | Compact 2-drawer unit |

PACKAGES



77-U1060

DHS-12

HVAC

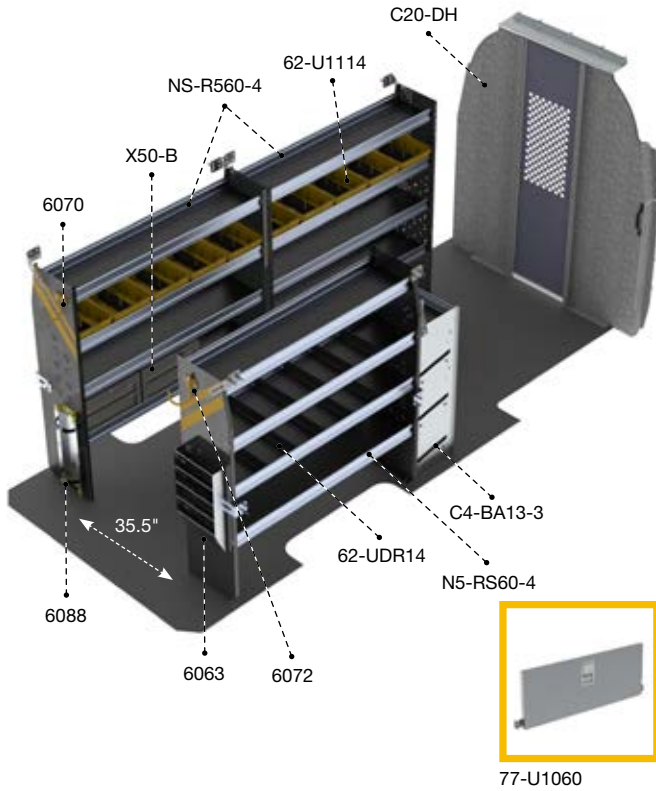
| | | |
|---------|---------|-----------|
| Steel | 144" | High Roof |
| 423 lbs | 6.1 hrs | Yes |

| Qty | Part # | Description |
|-----|------------------|--|
| 1 | C4-BA13-3 | 3 Tier refrigerant rack for large bottles |
| 1 | 6063 | Paper holder, extra deep, 5 slots |
| 1 | 6070 | 6" Hook, 3" opening, painted |
| 1 | 6072 | 8" Swivel hook, 4" opening, painted |
| 1 | 6088 | Large aluminum bottle holder, with two black nylon straps |
| 8 | 62-U1114 | 14" Deep plastic bin |
| 2 | 62-UDR14 | Set of 5 dividers for a 14" shelf |
| 1 | 77-U1060 | Adjustable shelving door unit - 57" W - for 60" shelves |
| 1 | C20-DH | Straight partition with perforated window, no access |
| 1 | N5-RS60-4 | Steel shelving unit for high roof van, 14" D x 60" W x 62" H |
| 1 | N5-RS96-4 | Steel shelving unit for high roof van, 14" D x 96" W x 62" H |
| 2 | X50-B | Compact 2-drawer unit |

MERCEDES-BENZ SPRINTER



PACKAGES

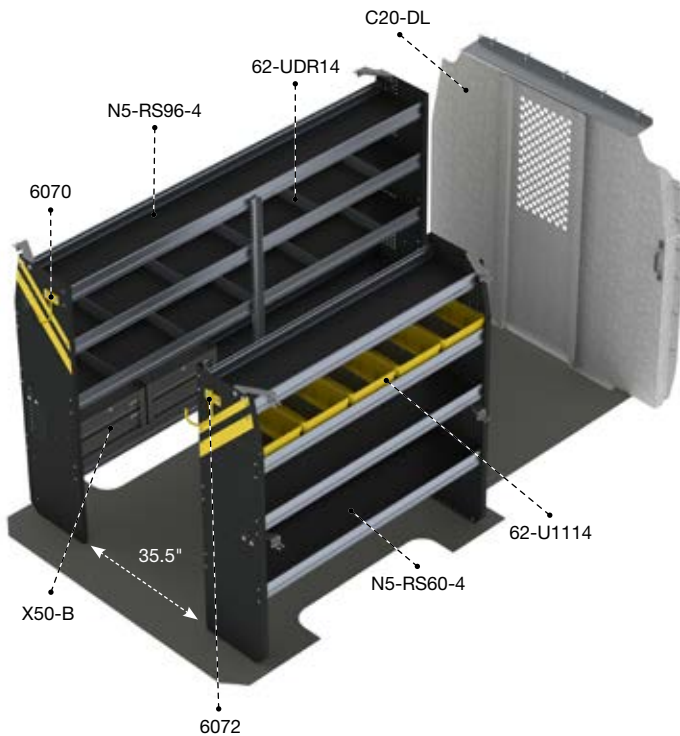


DHL-12 HVAC

| | | |
|---------|-----------------|-----------|
| Steel | 170", 170" Ext. | High Roof |
| 482 lbs | 7.1 hrs | Yes |

| Qty | Part # | Description |
|-----|------------------|--|
| 1 | C4-BA13-3 | 3 Tier refrigerant rack for large bottles |
| 1 | 6063 | Paper holder, extra deep, 5 slots |
| 1 | 6070 | 6" Hook, 3" opening, painted |
| 1 | 6072 | 8" Swivel hook, 4" opening, painted |
| 1 | 6088 | Large aluminum bottle holder, with two black nylon straps |
| 10 | 62-U1114 | 14" Deep plastic bin |
| 2 | 62-UDR14 | Set of 5 dividers for a 14" shelf |
| 1 | 77-U1060 | Adjustable shelving door unit - 57" W - for 60" shelves |
| 1 | C20-DH | Straight partition with perforated window, no access |
| 3 | N5-RS60-4 | Steel shelving unit for high roof van, 14" D x 60" W x 62" H |
| 2 | X50-B | Compact 2-drawer unit |

77-U1060



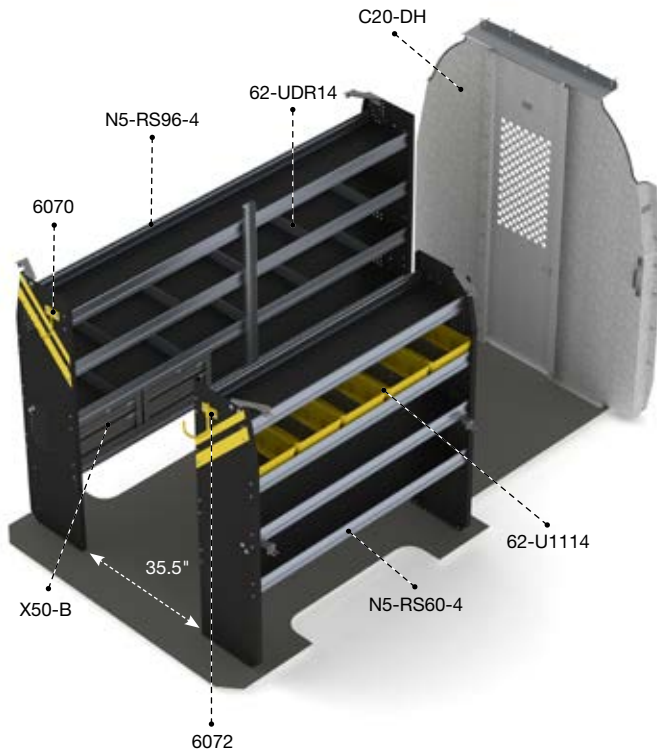
DLS-16 SERVICE

| | | |
|---------|---------|----------|
| Steel | 144" | Low Roof |
| 361 lbs | 4.6 hrs | Yes |

| Qty | Part # | Description |
|-----|------------------|--|
| 1 | 6070 | 6" Hook, 3" opening, painted |
| 1 | 6072 | 8" Swivel hook, 4" opening, painted |
| 5 | 62-U1114 | 14" Deep plastic bin |
| 2 | 62-UDR14 | Set of 5 dividers for a 14" shelf |
| 1 | C20-DL | Straight partition with perforated window, no access |
| 1 | N5-RS60-4 | Steel shelving unit for high roof van, 14" D x 60" W x 62" H |
| 1 | N5-RS96-4 | Steel shelving unit for high roof van, 14" D x 96" W x 62" H |
| 2 | X50-B | Compact 2-drawer unit |



MERCEDES-BENZ **SPRINTER**

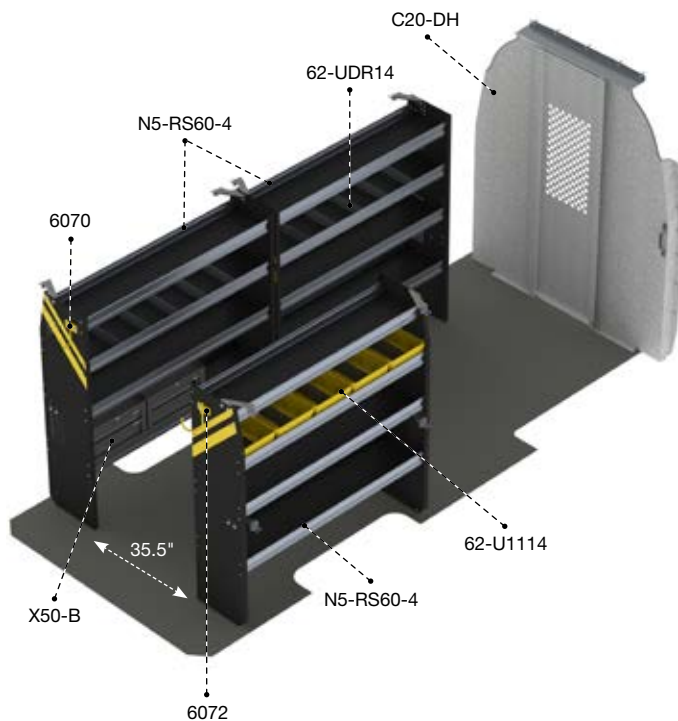


DHS-16
SERVICE

| | | |
|---------|---------|-----------|
| Steel | 144" | High Roof |
| 370 lbs | 4.6 hrs | Yes |

| Qty | Part # | Description |
|-----|-----------|--|
| 1 | 6070 | 6" Hook, 3" opening, painted |
| 1 | 6072 | 8" Swivel hook, 4" opening, painted |
| 5 | 62-U1114 | 14" Deep plastic bin |
| 2 | 62-UDR14 | Set of 5 dividers for a 14" shelf |
| 1 | C20-DH | Straight partition with perforated window, no access |
| 1 | N5-RS60-4 | Steel shelving unit for high roof van, 14" D x 60" W x 62" H |
| 1 | N5-RS96-4 | Steel shelving unit for high roof van, 14" D x 96" W x 62" H |
| 2 | X50-B | Compact 2-drawer unit |

PACKAGES



DHL-16
SERVICE

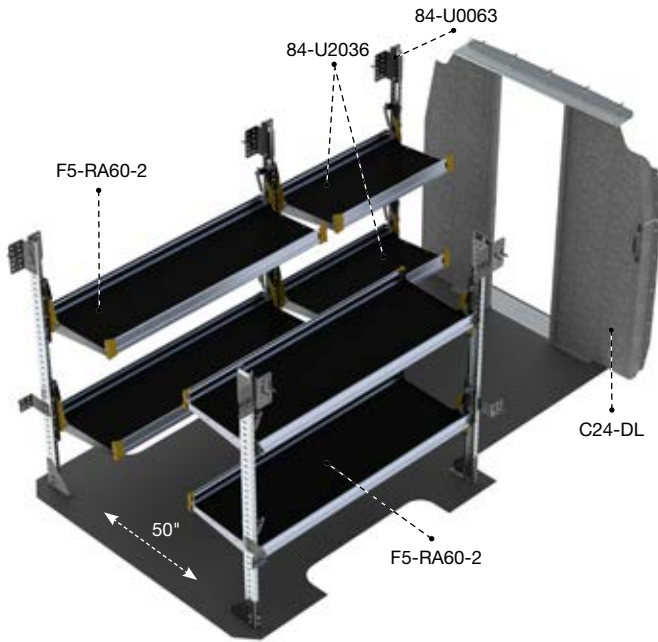
| | | |
|---------|-----------------|-----------|
| Steel | 170", 170" Ext. | High Roof |
| 425 lbs | 5.6 hrs | Yes |

| Qty | Part # | Description |
|-----|-----------|--|
| 1 | 6070 | 6" Hook, 3" opening, painted |
| 1 | 6072 | 8" Swivel hook, 4" opening, painted |
| 5 | 62-U1114 | 14" Deep plastic bin |
| 2 | 62-UDR14 | Set of 5 dividers for a 14" shelf |
| 1 | C20-DH | Straight partition with perforated window, no access |
| 3 | N5-RS60-4 | Steel shelving unit for high roof van, 14" D x 60" W x 62" H |
| 2 | X50-B | Compact 2-drawer unit |

MERCEDES-BENZ **SPRINTER**



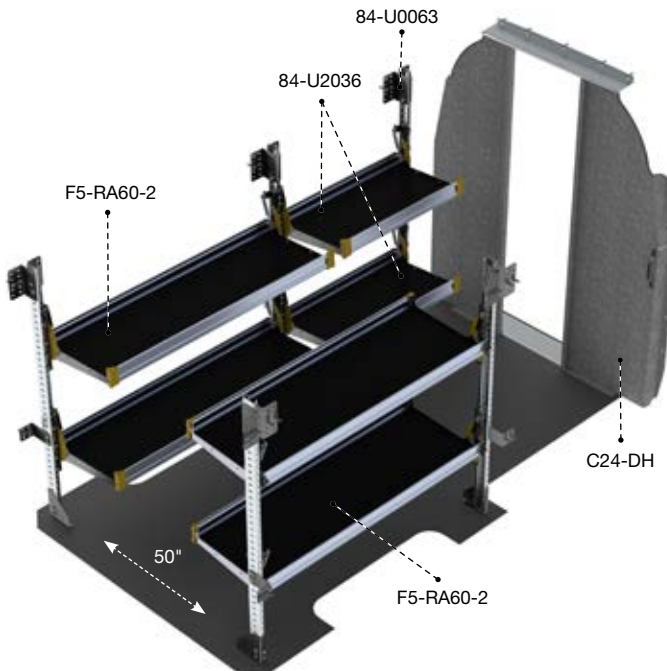
PACKAGES



DLS-19 DELIVERY

| | | |
|----------|---------|----------|
| Aluminum | 144" | Low Roof |
| 274 lbs | 5.3 hrs | Yes |

| Qty | Part # | Description |
|-----|------------------|---|
| 1 | 84-U0063 | Post assembly for fold-away shelving, 63" |
| 2 | 84-U2036 | Fold-away shelf tray, 20" D x 36" W |
| 1 | C24-DL | Straight walk through steel partition |
| 2 | F5-RA60-2 | Fold-away unit, 2 levels, 25" D x 60" W x 63" H |



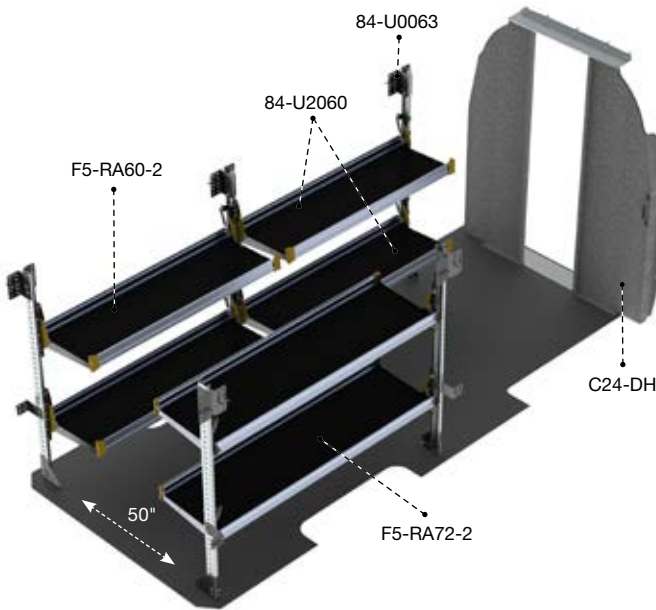
DHS-19 DELIVERY

| | | |
|----------|---------|-----------|
| Aluminum | 144" | High Roof |
| 277 lbs | 5.3 hrs | Yes |

| Qty | Part # | Description |
|-----|------------------|---|
| 1 | 84-U0063 | Post assembly for fold-away shelving, 63" |
| 2 | 84-U2036 | Fold-away shelf tray, 20" D x 36" W |
| 1 | C24-DH | Straight walk through steel partition |
| 2 | F5-RA60-2 | Fold-away unit, 2 levels, 25" D x 60" W x 63" H |



MERCEDES-BENZ **SPRINTER**

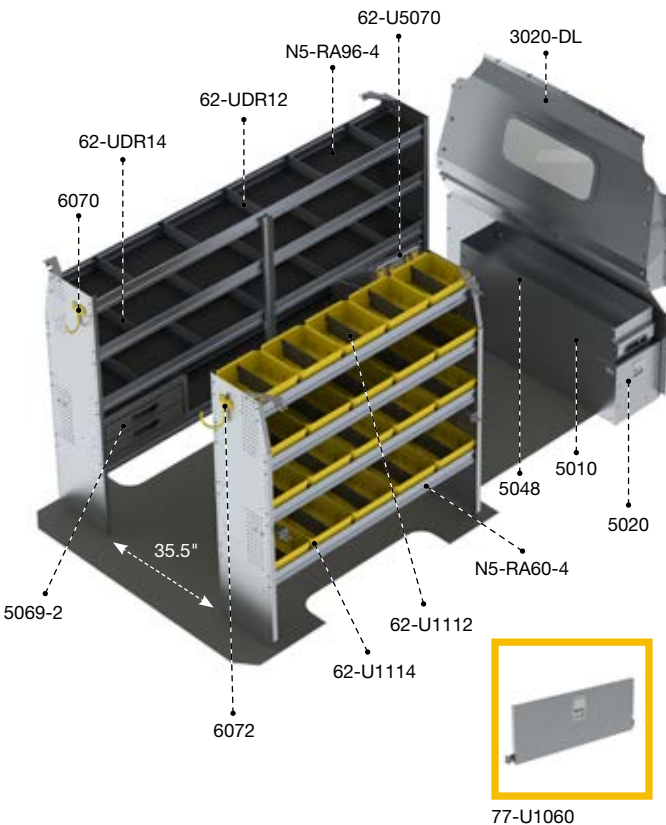


DHL-19
DELIVERY

| | | |
|----------|-----------------|-----------|
| Aluminum | 170", 170" Ext. | High Roof |
| 299 | 5.3 hrs | Yes |

| Qty | Part # | Description |
|-----|------------------|---|
| 1 | C24-DH | Straight walk through steel partition |
| 1 | F5-RA60-2 | Fold-away unit, 2 levels, 60" W x 63" H |
| 1 | 84-U0063 | Post assembly for fold-away shelving, 63" |
| 2 | 84-U2060 | Fold-away shelf tray, 20" D x 60" W |
| 1 | F5-RA72-2 | Fold-away unit, 2 levels, 72" W x 63" H |

PACKAGES



DLS-27
ALUMINUM

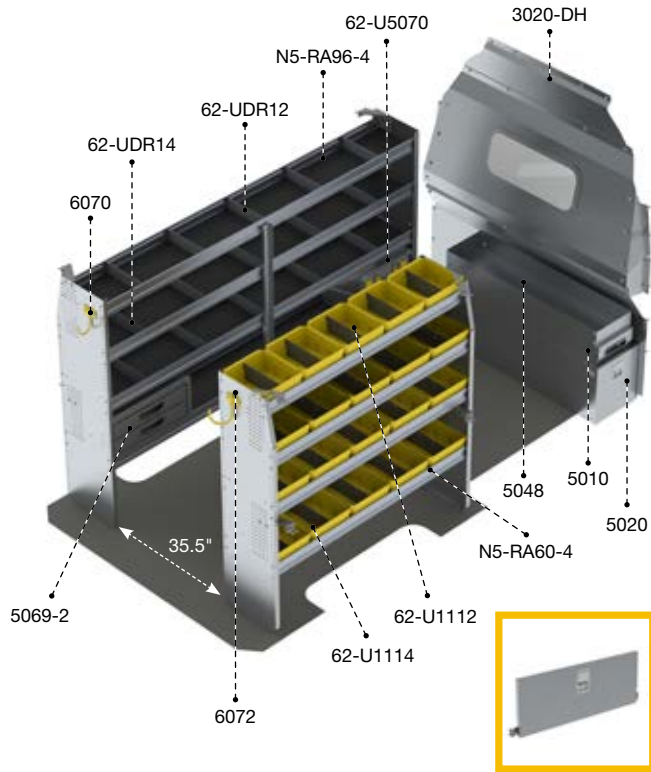
| | | |
|----------|---------|----------|
| Aluminum | 144" | Low Roof |
| 465 lbs | 7.5 hrs | Yes |

| Qty | Part # | Description |
|-----|------------------|---|
| 1 | 3020-DL | Countoured safety partition with glass window |
| 1 | 5010 | Partslider drawer |
| 1 | 5020 | Tool drawer 48" D x 14" W x 16" H |
| 1 | 5048 | Top edge |
| 1 | 5069-2 | 2 Drawer cabinet |
| 2 | 62-U5070 | Partskeeper carry case with holder |
| 1 | 6070 | 6" Hook, 3" opening, painted |
| 1 | 6072 | 8" Swivel hook, 4" opening, painted |
| 5 | 62-U1112 | 12" Deep plastic bin |
| 15 | 62-U1114 | 14" Deep plastic bin |
| 1 | 62-UDR12 | Set of 5 dividers for a 12" shelf |
| 2 | 62-UDR14 | Set of 5 dividers for a 14" shelf |
| 1 | 77-U1060 | Adjustable shelving door unit - 57" W - for 60" shelves |
| 1 | N5-RA60-4 | Aluminum shelving unit high roof van, 60", 14"D x 60" W x 62" H |
| 1 | N5-RA96-4 | Aluminum shelving unit high roof van, 96", 14"D x 96" W x 62" H |

MERCEDES-BENZ SPRINTER



PACKAGES



77-U1060

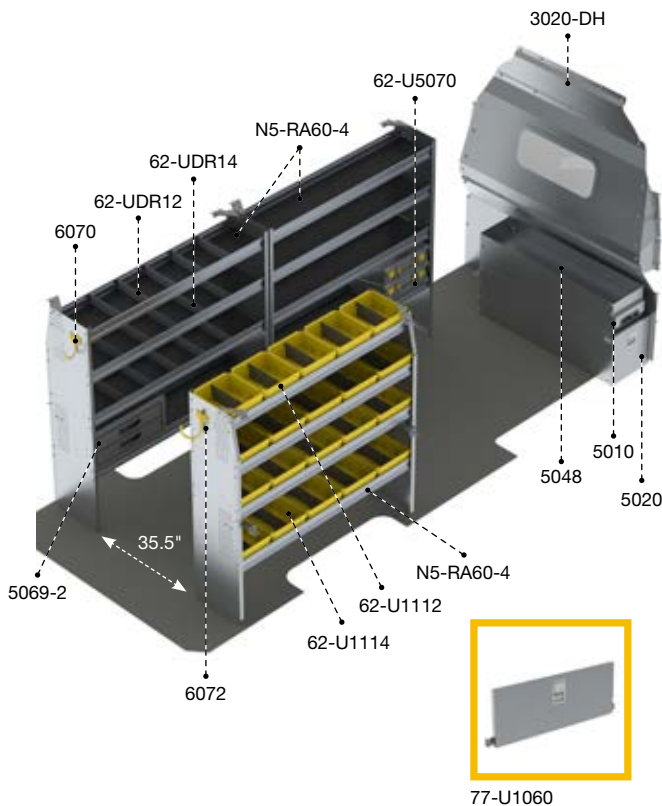
DHS-27 ALUMINUM

| | | |
|----------|---------|-----------|
| Aluminum | 144" | High Roof |
| 467 lbs | 7.5 hrs | Yes |

| Qty | Part # | Description |
|-----|------------------|--|
| 1 | 3020-DH | Countoured safety partition with glass window |
| 1 | 5010 | Partslider drawer |
| 1 | 5020 | Tool drawer 48" D x 14" W x 16" H |
| 1 | 5048 | Top edge |
| 1 | 5069-2 | 2 Drawer cabinet |
| 2 | 62-U5070 | Partskeeper carry case with holder |
| 1 | 6070 | 6" Hook, 3" opening, painted |
| 1 | 6072 | 8" Swivel hook, 4" opening, painted |
| 5 | 62-U1112 | 12" Deep plastic bin |
| 15 | 62-U1114 | 14" Deep plastic bin |
| 1 | 62-UDR12 | Set of 5 dividers for a 12" shelf |
| 2 | 62-UDR14 | Set of 5 dividers for a 14" shelf |
| 1 | 77-U1060 | Adjustable shelving door unit - 57" W - for 60" shelves |
| 1 | N5-RA60-4 | Aluminum shelving unit high roof van, 60", 14"D x 60" W x 62"H |
| 1 | N5-RA96-4 | Aluminum shelving unit high roof van, 96", 14"D x 96" W x 62"H |

DHL-27 ALUMINUM

| | | |
|----------|-----------------|-----------|
| Aluminum | 170", 170" Ext. | High Roof |
| 508 lbs | 8.5 hrs | Yes |



77-U1060

| Qty | Part # | Description |
|-----|------------------|--|
| 1 | 3020-DH | Countoured safety partition with glass window |
| 1 | 5010 | Partslider 48" D |
| 1 | 5020 | Tool drawer 48" D x 14" W x 16" H |
| 1 | 5048 | Top edge |
| 1 | 5069-2 | 2 Drawer cabinet |
| 2 | 62-U5070 | Partskeeper carry case with holder |
| 1 | 6070 | 6" Hook, 3" opening, painted |
| 1 | 6072 | 8" Swivel hook, 4" opening, painted |
| 5 | 62-U1112 | 12" Deep plastic bin |
| 15 | 62-U1114 | 14" Deep plastic bin |
| 1 | 62-UDR12 | Set of 5 dividers for a 12" shelf |
| 2 | 62-UDR14 | Set of 5 dividers for a 14" shelf |
| 1 | 77-U1060 | Adjustable shelving door unit - 57" W - for 60" shelves |
| 3 | N5-RA60-4 | Aluminum shelving unit high roof van, 60", 14"D x 60" W x 62"H |



ALUMINUM **DHS-27**

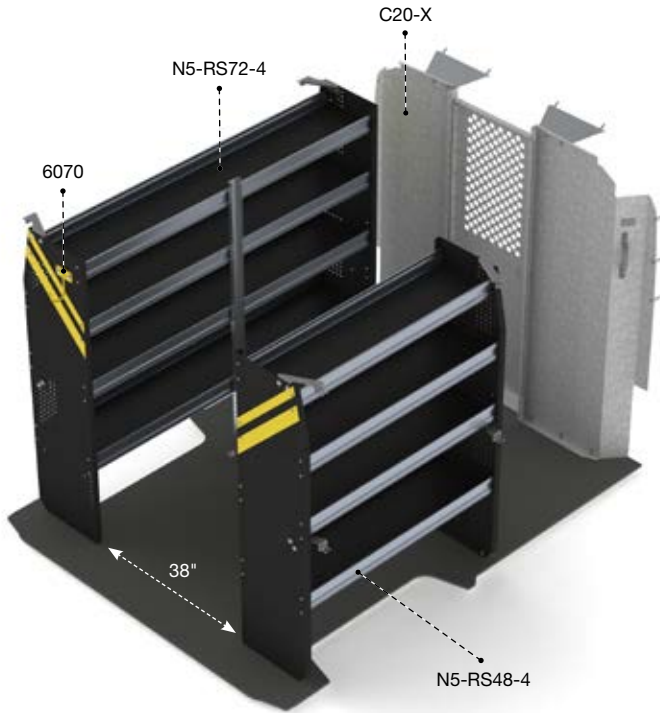
MERCEDES-BENZ **SPRINTER**





RAM PROMASTER

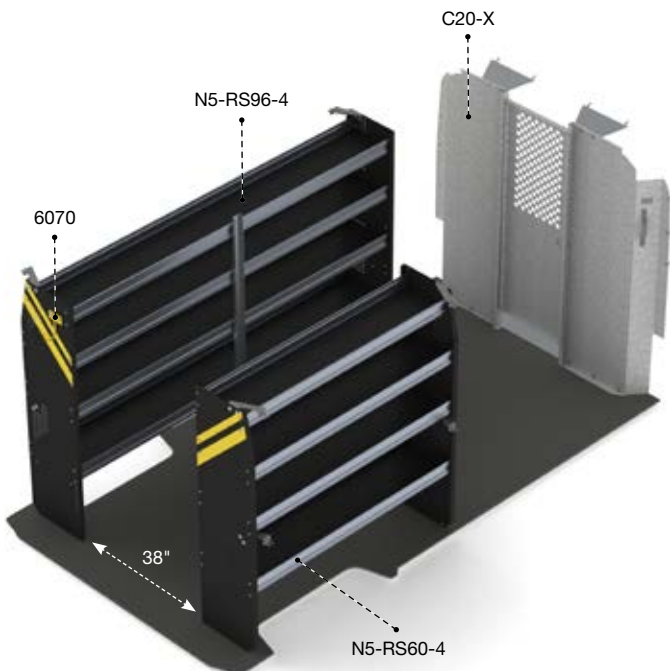
PACKAGES



RPS-10 CONTRACTOR

| | | |
|---------|------------|------------|
| Steel | 118", 136" | Low / High |
| 259 lbs | 3.8 hrs | Yes |

| Qty | Part # | Description |
|-----|-----------|--|
| 1 | 6070 | 6" Hook, 3" opening, painted |
| 1 | C20-X | Straight steel partition with perforated window, no access |
| 1 | N5-RS48-4 | Steel shelving unit for high roof van, 14" D x 48" W x 62" H |
| 1 | N5-RS72-4 | Steel shelving unit for high roof van, 14" D x 72" W x 62" H |



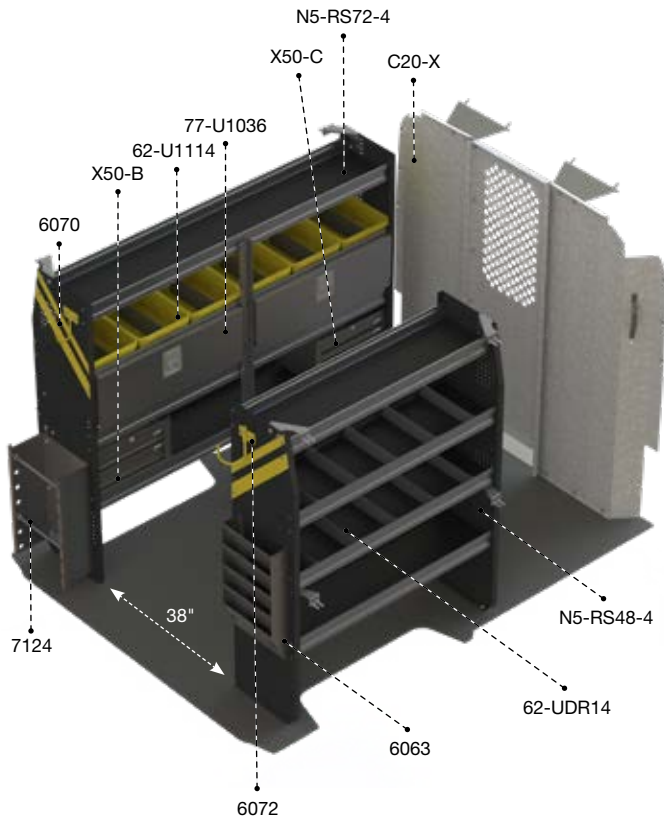
RPL-10 CONTRACTOR

| | | |
|---------|-----------------|------|
| Steel | 159", 159" Ext. | High |
| 289 lbs | 3.8 hrs | Yes |

| Qty | Part # | Description |
|-----|-----------|--|
| 1 | 6070 | 6" Hook, 3" opening, painted |
| 1 | C20-X | Straight steel partition with perforated window, no access |
| 1 | N5-RS60-4 | Steel shelving unit for high roof van, 14" D x 60" W x 62" H |
| 1 | N5-RS96-4 | Steel shelving unit for high roof van, 14" D x 96" W x 62" H |



RAM PROMASTER

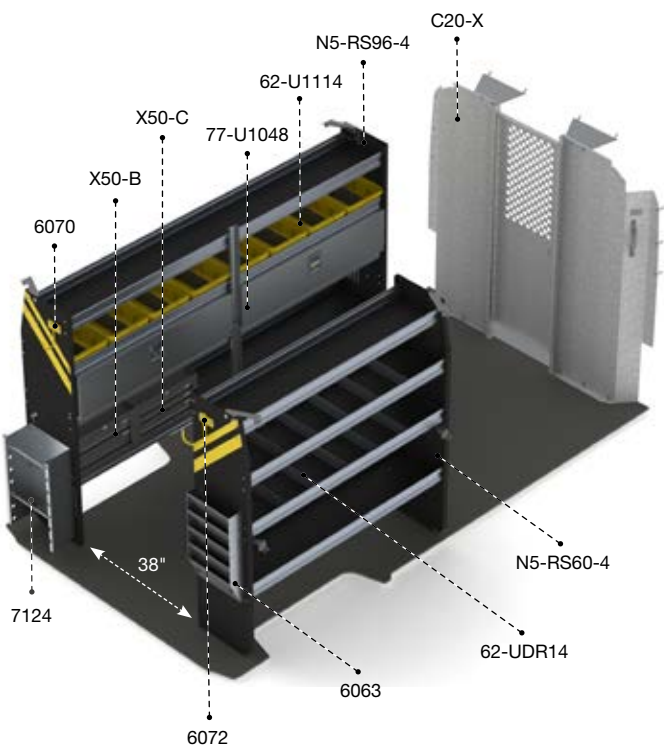


RPS-11
ELECTRICAL

| | | | | | |
|--|---------|--|------------|--|------------|
| | Steel | | 118", 136" | | Low / High |
| | 364 lbs | | 6.3 hrs | | Yes |

| Qty | Part # | Description |
|-----|-----------|---|
| 1 | 6063 | Paper holder, extra deep, 5 slots |
| 1 | 6070 | 6" Hook, 3" opening, painted |
| 1 | 6072 | 8" Swivel hook, 4" opening, painted |
| 6 | 62-U1114 | 14" Deep plastic bin |
| 2 | 62-UDR14 | Set of 5 dividers for a 14" shelf |
| 1 | 7124 | Reel holder with two 5/8" diameter rods |
| 2 | 77-U1036 | Adjustable shelving door unit - 33" W - for 36" & 72" shelves |
| 1 | C20-X | Straight steel partition with perforated window, no access |
| 1 | N5-RS48-4 | Steel shelving unit for high roof van, 14" D x 48" W x 62" H |
| 1 | N5-RS72-4 | Steel shelving unit for high roof van, 14" D x 72" W x 62" H |
| 1 | X50-B | Compact 2-drawer unit |
| 1 | X50-C | Compact 3-drawer unit |

PACKAGES



RPL-11
ELECTRICAL

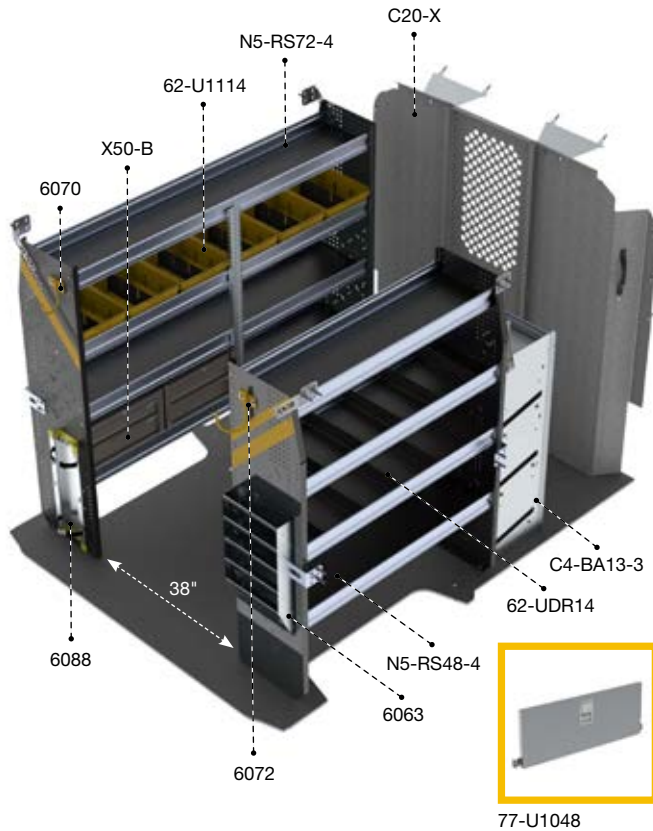
| | | | | | |
|--|---------|--|-----------------|--|------|
| | Steel | | 159", 159" Ext. | | High |
| | 402 lbs | | 6.3 hrs | | Yes |

| Qty | Part # | Description |
|-----|-----------|---|
| 1 | 6063 | Paper holder, extra deep, 5 slots |
| 1 | 6070 | 6" Hook, 3" opening, painted |
| 1 | 6072 | 8" Swivel hook, 4" opening, painted |
| 8 | 62-U1114 | 14" Deep plastic bin |
| 2 | 62-UDR14 | Set of 5 dividers for a 14" shelf |
| 1 | 7124 | Reel holder with two 5/8" diameter rods |
| 2 | 77-U1048 | Adjustable shelving door unit - 45" W - for 48" & 96" shelves |
| 1 | C20-X | Straight steel partition with perforated window, no access |
| 1 | N5-RS60-4 | Steel shelving unit for high roof van, 14" D x 60" W x 62" H |
| 1 | N5-RS96-4 | Steel shelving unit for high roof van, 14" D x 96" W x 62" H |
| 1 | X50-B | Compact 2-drawer unit |
| 1 | X50-C | Compact 3-drawer unit |



RAM PROMASTER

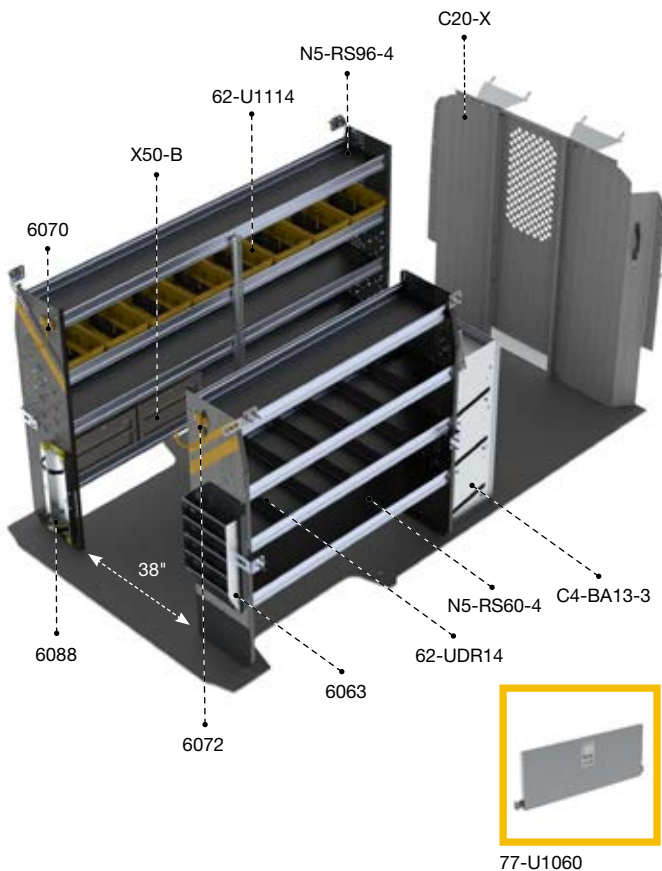
PACKAGES



RPS-12 HVAC

| | | | | | |
|--|---------|--|------------|--|------------|
| | Steel | | 118", 136" | | Low / High |
| | 376 lbs | | 6.1 hrs | | Yes |

| Qty | Part # | Description |
|-----|------------------|---|
| 1 | C4-BA13-3 | 3 Tier refrigerant rack for large bottles |
| 1 | 6063 | Paper holder, extra deep, 5 slots |
| 1 | 6070 | 6" Hook, 3" opening, painted |
| 1 | 6072 | 8" Swivel hook, 4" opening, painted |
| 1 | 6088 | Large aluminum bottle holder, with two black nylon straps |
| 6 | 62-U1114 | 14" Deep plastic bin |
| 2 | 62-UDR14 | Set of 5 dividers for a 14" shelf |
| 1 | 77-U1048 | Adjustable shelving door unit - 45" W - for 48" & 96" shelves |
| 1 | C20-X | Straight steel partition with perforated window, no access |
| 1 | N5-RS48-4 | Steel shelving unit for high roof van, 14" D x 48" W x 62" H |
| 1 | N5-RS72-4 | Steel shelving unit for high roof van, 14" D x 72" W x 62" H |
| 2 | X50-B | Compact 2-drawer unit |



RPL-12 HVAC

| | | | | | |
|--|---------|--|-----------------|--|------|
| | Steel | | 159", 159" Ext. | | High |
| | 412 lbs | | 6.1 hrs | | Yes |

| Qty | Part # | Description |
|-----|------------------|--|
| 1 | C4-BA13-3 | 3 Tier refrigerant rack for large bottles |
| 1 | 6063 | Paper holder, extra deep, 5 slots |
| 1 | 6070 | 6" Hook, 3" opening, painted |
| 1 | 6072 | 8" Swivel hook, 4" opening, painted |
| 1 | 6088 | Large aluminum bottle holder, with two black nylon straps |
| 8 | 62-U1114 | 14" Deep plastic bin |
| 2 | 62-UDR14 | Set of 5 dividers for a 14" shelf |
| 1 | 77-U1060 | Adjustable shelving door unit - 57" W - for 60" shelves |
| 1 | C20-X | Straight steel partition with perforated window, no access |
| 1 | N5-RS60-4 | Steel shelving unit for high roof van, 14" D x 60" W x 62" H |
| 1 | N5-RS96-4 | Steel shelving unit for high roof van, 14" D x 96" W x 62" H |
| 2 | X50-B | Compact 2-drawer unit |



SERVICE **RPS-16**

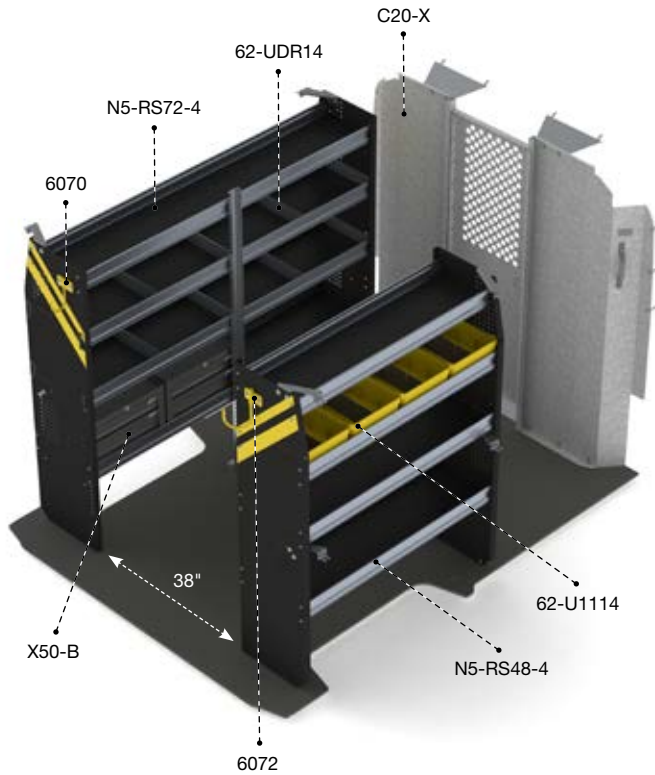
RAM PROMASTER





RAM PROMASTER

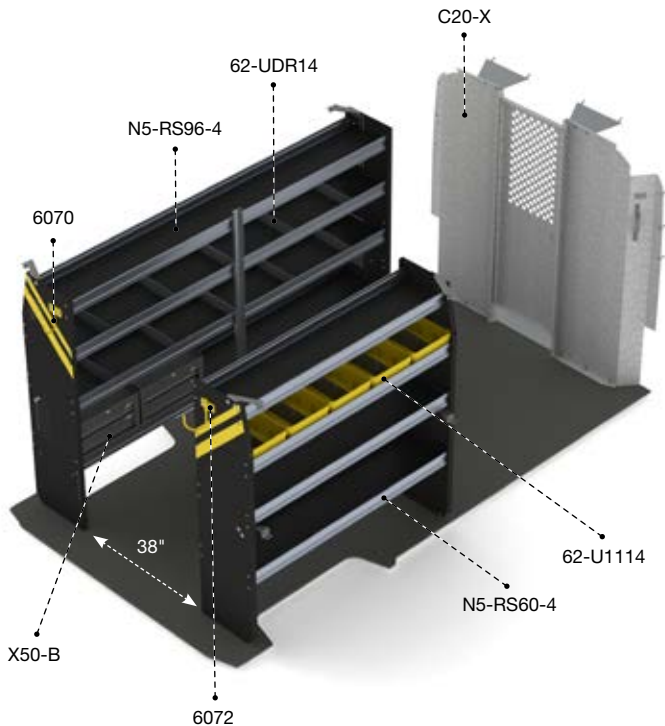
PACKAGES



RPS-16 SERVICE

| | | | | | |
|--|---------|--|------------|--|------------|
| | Steel | | 118", 136" | | Low / High |
| | 326 lbs | | 4.6 hrs | | Yes |

| Qty | Part # | Description |
|-----|-----------|--|
| 1 | 6070 | 6" Hook, 3" opening, painted |
| 1 | 6072 | 8" Swivel hook, 4" opening, painted |
| 4 | 62-U1114 | 14" Deep plastic bin |
| 2 | 62-UDR14 | Set of 5 dividers for a 14" shelf |
| 1 | C20-X | Straight steel partition with perforated window, no access |
| 1 | N5-RS48-4 | Steel shelving unit for high roof van, 14" D x 48" W x 62" H |
| 1 | N5-RS72-4 | Steel shelving unit for high roof van, 14" D x 72" W x 62" H |
| 2 | X50-B | Compact 2-drawer unit |



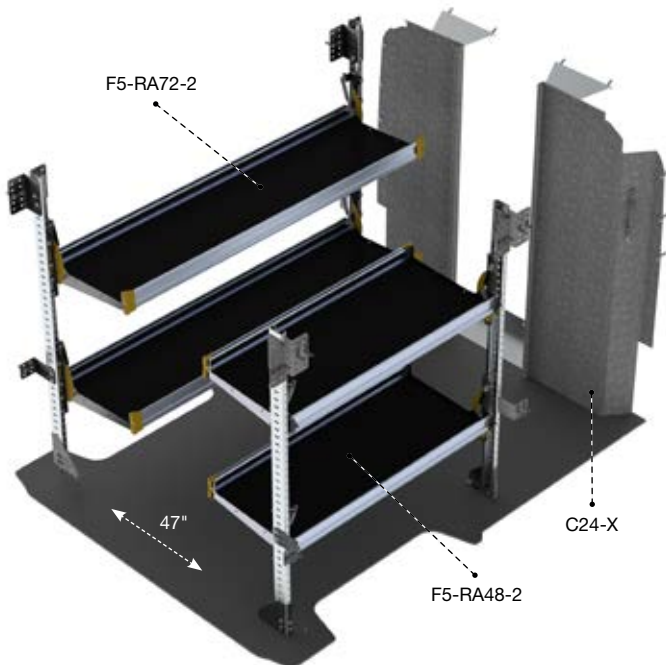
RPL-16 SERVICE

| | | | | | |
|--|---------|--|-----------------|--|------|
| | Steel | | 159", 159" Ext. | | High |
| | 359 lbs | | 4.6 hrs | | Yes |

| Qty | Part # | Description |
|-----|-----------|--|
| 1 | 6070 | 6" Hook, 3" opening, painted |
| 1 | 6072 | 8" Swivel hook, 4" opening, painted |
| 5 | 62-U1114 | 14" Deep plastic bin |
| 2 | 62-UDR14 | Set of 5 dividers for a 14" shelf |
| 1 | C20-X | Straight steel partition with perforated window, no access |
| 1 | N5-RS60-4 | Steel shelving unit for high roof van, 14" D x 60" W x 62" H |
| 1 | N5-RS96-4 | Steel shelving unit for high roof van, 14" D x 96" W x 62" H |
| 2 | X50-B | Compact 2-drawer unit |



RAM PROMASTER

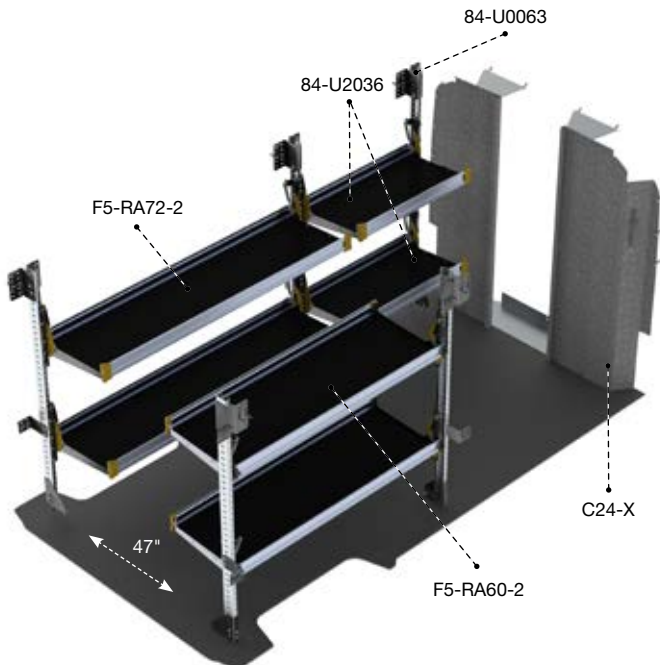


RPS-19
DELIVERY

| | | |
|----------|------------|------------|
| Aluminum | 118", 136" | Low / High |
| 228 lbs | 4.2 hrs | Yes |

| Qty | Part # | Description |
|-----|------------------|---|
| 1 | C24-X | Straight walk through steel partition |
| 1 | F5-RA72-2 | Fold-away unit, 2 levels, 25" D x 72" W x 63" H |
| 1 | F5-RA48-2 | Fold-away unit, 2 levels, 25" D x 48" W x 63" H |

PACKAGES



RPL-19
DELIVERY

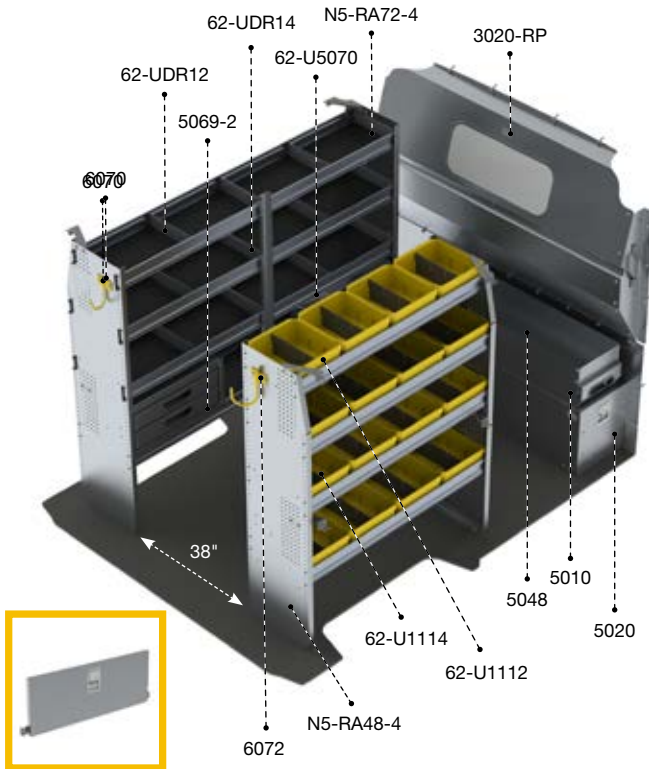
| | | |
|----------|-----------------|------|
| Aluminum | 159", 159" Ext. | High |
| 289 lbs | 5.3 hrs | Yes |

| Qty | Part # | Description |
|-----|------------------|---|
| 1 | C24-X | Straight walk through partition |
| 1 | F5-RA60-2 | Fold-away unit, 2 levels, 25" D x 60" W x 63" H |
| 1 | F5-RA72-2 | Fold-away unit, 2 levels, 25" D x 72" W x 63" H |
| 1 | 84-U0063 | Post assembly for fold-away shelving, 63" |
| 2 | 84-U2036 | Fold-away shelf tray, 20" D x 36" W |



RAM PROMASTER

PACKAGES



77-U1048

RPS-27 ALUMINUM

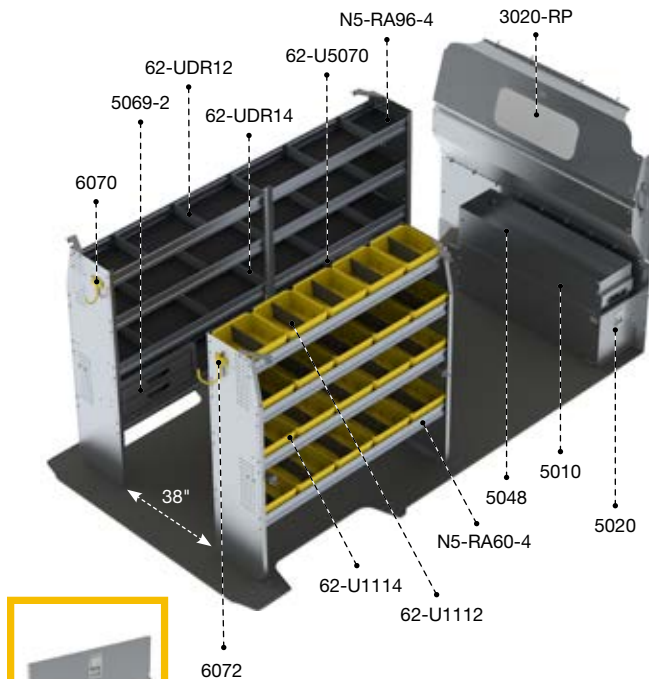
| | | |
|----------|------------|------------|
| Aluminum | 118", 136" | Low / High |
| 420 lbs | 7.3 hrs | Yes |

| Qty | Part # | Description |
|-----|------------------|---|
| 1 | 3020-RP | Countoured safety partition with glass window |
| 1 | 5010 | Partslider 48" D |
| 1 | 5020 | Tool drawer 48" D x 14" W x 16" H |
| 1 | 5048 | Top edge |
| 1 | 5069-2 | 2 Drawer cabinet |
| 2 | 62-U5070 | Partskeeper carry case with holder |
| 1 | 6070 | 6" Hook, 3" opening, painted |
| 1 | 6072 | 8" Swivel hook, 4" opening, painted |
| 4 | 62-U1112 | 12" Deep plastic bin |
| 12 | 62-U1114 | 14" Deep plastic bin |
| 1 | 62-UDR12 | Set of 5 dividers for a 12" shelf |
| 2 | 62-UDR14 | Set of 5 dividers for a 14" shelf |
| 1 | 77-U1048 | Adjustable shelving door unit - 45" W - for 48" & 96"shelves |
| 1 | N5-RA48-4 | Aluminum shelving unit for high roof van, 14" D x 48" W x 62" H |
| 1 | N5-RA72-4 | Aluminum shelving unit for high roof van, 14" D x 72" W x 62" H |

RPL-27 ALUMINUM

| | | |
|----------|-----------------|------|
| Aluminum | 159", 159" Ext. | High |
| 460 lbs | 7.3 hrs | Yes |

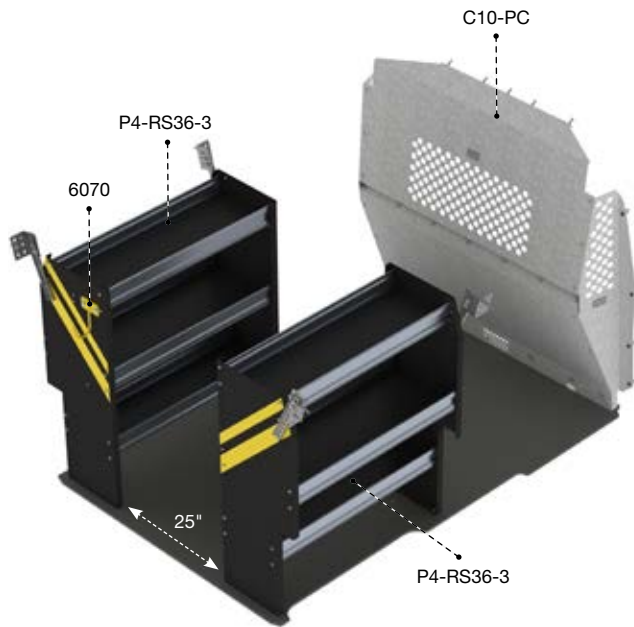
| Qty | Part # | Description |
|-----|------------------|---|
| 1 | 3020-RP | Countoured safety partition with glass window |
| 1 | 5010 | Partslider 48" D |
| 1 | 5020 | Tool drawer 48" D x 14" W x 16" H |
| 1 | 5048 | Top edge |
| 1 | 5069-2 | 2 Drawer cabinet |
| 2 | 62-U5070 | Partskeeper carry case with holder |
| 1 | 6070 | 6" Hook, 3" opening, painted |
| 1 | 6072 | 8" Swivel hook, 4" opening, painted |
| 5 | 62-U1112 | 12" deep plastic bin |
| 15 | 62-U1114 | 14" deep plastic bin |
| 1 | 62-UDR12 | Set of 5 dividers for a 12" Shelf |
| 2 | 62-UDR14 | Set of 5 dividers for a 14" Shelf |
| 1 | 77-U1060 | Adjustable shelving door unit - 57" W - for 60" shelves |
| 1 | N5-RA60-4 | Aluminum Shelving Unit for high roof van, 14" D x 60" W x 62" H |
| 1 | N5-RA96-4 | Aluminum Shelving Unit for high roof van, 14" D x 96" W x 62" H |



77-U1060



RAM **PROMASTER CITY**

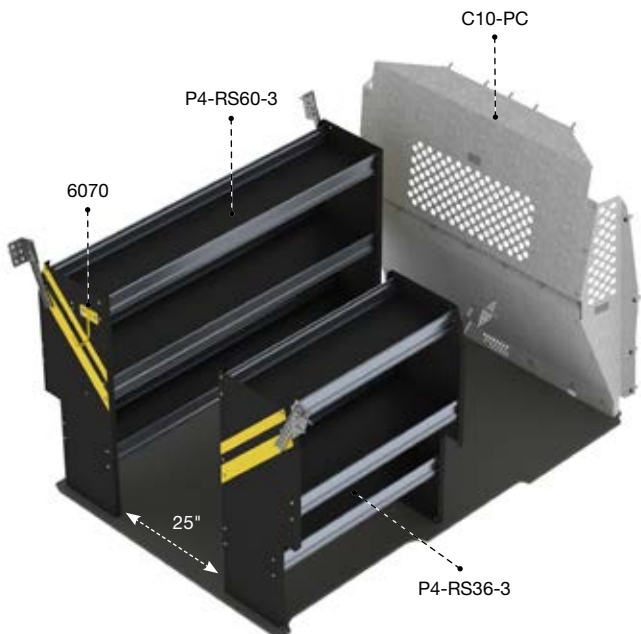


PMC-10
CONTRACTOR

| | | |
|---------|---------|----------|
| Steel | 122" | Standard |
| 156 lbs | 3.2 hrs | Yes |

| Qty | Part # | Description |
|-----|-----------|--|
| 1 | 6070 | 6" Hook, 3" opening, painted |
| 1 | C10-PC | Contoured steel partition with perforated window |
| 2 | P4-RS36-3 | Steel shelving unit for Promaster City 14" D x 36" W x 42" H |

PACKAGES



PMD-10
CONTRACTOR

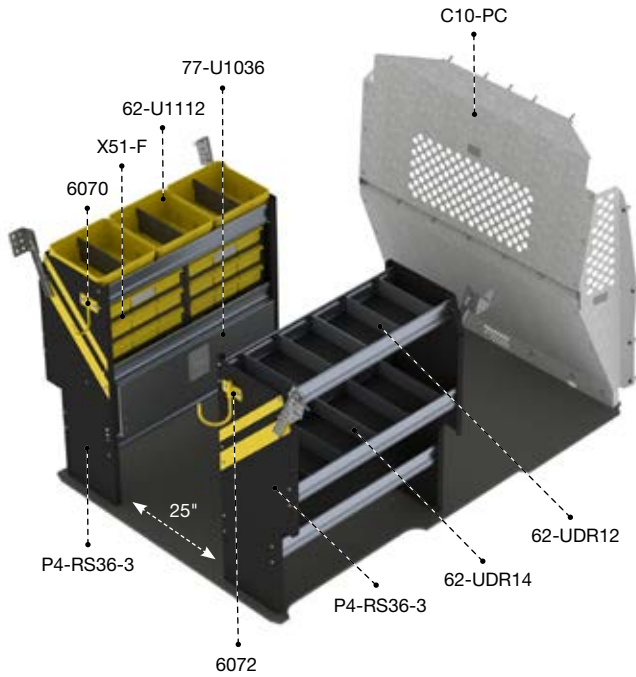
| | | |
|---------|---------|----------|
| Steel | 122" | Standard |
| 170 lbs | 3.2 hrs | Yes |

| Qty | Part # | Description |
|-----|-----------|--|
| 1 | 6070 | 6" Hook, 3" opening, painted |
| 1 | C10-PC | Contoured steel partition with perforated window |
| 1 | P4-RS36-3 | Steel shelving unit for ProMaster City 14" D x 36" W x 42" H |
| 1 | P4-RS60-3 | Steel shelving unit for ProMaster City 14" D x 60" W x 42" H |



RAM PROMASTER CITY

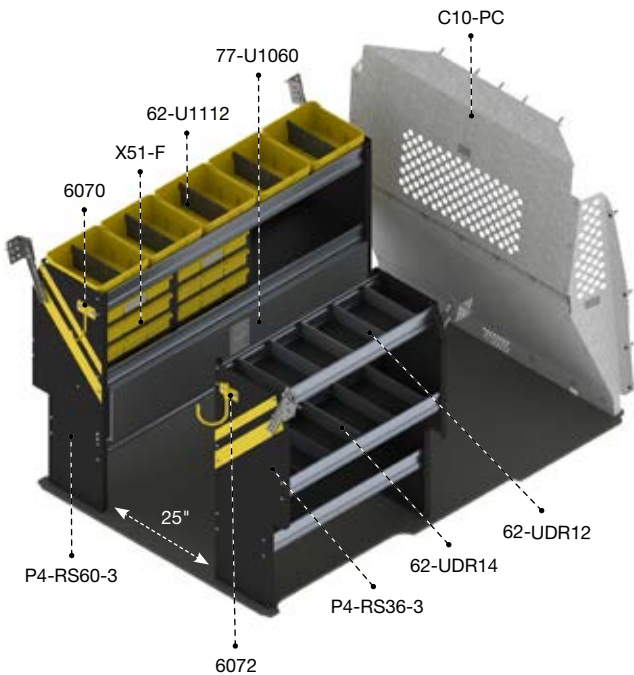
PACKAGES



PMC-11 ELECTRICAL

| | | |
|---------|---------|----------|
| Steel | 122" | Standard |
| 230 lbs | 4.5 hrs | Yes |

| Qty | Part # | Description |
|-----|-----------|---|
| 1 | 6070 | 6" Hook, 3" opening, painted |
| 1 | 6072 | 8" Swivel hook, 4" opening, painted |
| 3 | 62-U1112 | 12" Deep plastic bin |
| 1 | 62-UDR12 | Set of 5 dividers for a 12" shelf |
| 1 | 62-UDR14 | Set of 5 dividers for a 14" shelf |
| 1 | 77-U1036 | Adjustable shelving door unit - 33" W - for 36" & 72" shelves |
| 1 | C10-PC | Contoured steel partition with perforated window |
| 2 | P4-RS36-3 | Steel shelving unit for ProMaster City 14" D x 36" H x 42" W |
| 2 | X51-F | Compact 9-drawer unit |



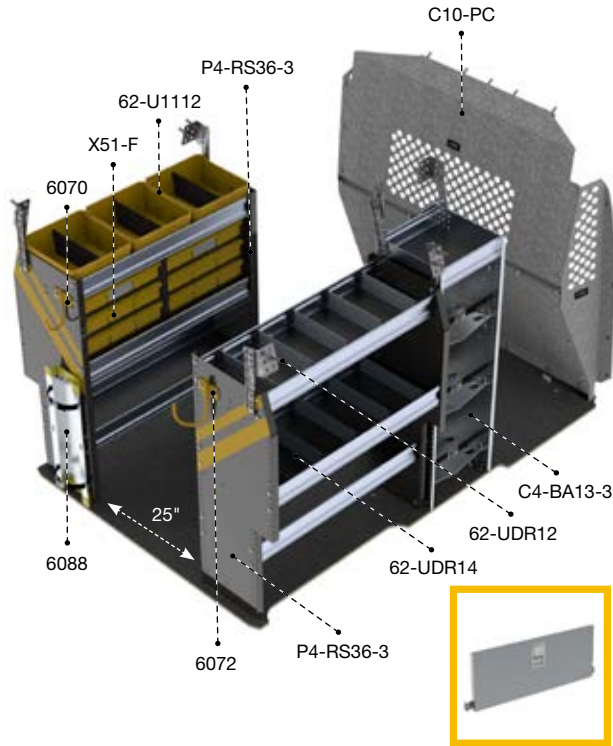
PMD-11 ELECTRICAL

| | | |
|---------|---------|----------|
| Steel | 122" | Standard |
| 251 lbs | 4.5 hrs | Yes |

| Qty | Part # | Description |
|-----|-----------|--|
| 1 | 6070 | 6" Hook, 3" opening, painted |
| 1 | 6072 | 8" Swivel hook, 4" opening, painted |
| 5 | 62-U1112 | 12" Deep plastic bin |
| 1 | 62-UDR12 | Set of 5 dividers for a 12" shelf |
| 1 | 62-UDR14 | Set of 5 dividers for a 14" shelf |
| 1 | 77-U1060 | Adjustable shelving door unit - 57" W - for 60" shelves |
| 1 | C10-PC | Contoured steel partition with perforated window |
| 1 | P4-RS36-3 | Steel shelving unit for ProMaster City 14" D x 36" H x 42" W |
| 1 | P4-RS60-3 | Steel shelving unit for ProMaster City 14" D x 60" H x 42" W |
| 2 | X51-F | Compact 9-drawer unit |



RAM **PROMASTER CITY**



77-U1036

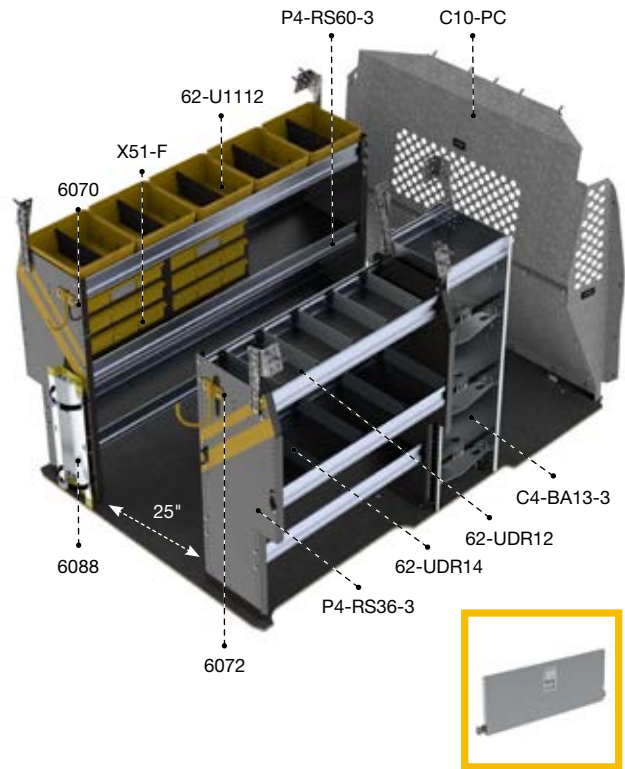
PMC-12

HVAC

| | | |
|---------|---------|----------|
| Steel | 122" | Standard |
| 260 lbs | 5.3 hrs | Yes |

| Qty | Part # | Description |
|-----|------------------|---|
| 1 | C4-BA13-3 | 3 Tier refrigerant rack for large bottles |
| 1 | 6070 | 6" Hook, 3" opening, painted |
| 1 | 6072 | 8" Swivel hook, 4" opening, painted |
| 1 | 6088 | Large aluminum bottle holder, with two black nylon straps |
| 3 | 62-U1112 | 12" Deep plastic bin |
| 1 | 62-UDR12 | Set of 5 dividers for a 12" shelf |
| 1 | 62-UDR14 | Set of 5 dividers for a 14" shelf |
| 1 | 77-U1036 | Adjustable shelving door unit - 33" W - for 36" & 72" shelves |
| 1 | C10-PC | Contoured steel partition with perforated window |
| 2 | P4-RS36-3 | Steel shelving unit for ProMaster City 14" D x 36" W x 42" H |
| 2 | X51-F | Compact 9-drawer unit |

PACKAGES



77-U1036

PMD-12

HVAC

| | | |
|---------|---------|----------|
| Steel | 122" | Standard |
| 278 lbs | 5.3 hrs | Yes |

| Qty | Part # | Description |
|-----|------------------|---|
| 1 | C4-BA13-3 | 3 Tier refrigerant rack for large bottles |
| 1 | 6070 | 6" Hook, 3" opening, painted |
| 1 | 6072 | 8" Swivel hook, 4" opening, painted |
| 1 | 6088 | Large aluminum bottle holder, with two black nylon straps |
| 5 | 62-U1112 | 12" Deep plastic bin |
| 1 | 62-UDR12 | Set of 5 dividers for a 12" shelf |
| 1 | 62-UDR14 | Set of 5 dividers for a 14" shelf |
| 1 | 77-U1036 | Adjustable shelving door unit - 33" W - for 36" & 72" shelves |
| 1 | C10-PC | Contoured steel partition with perforated window |
| 1 | P4-RS36-3 | Steel shelving unit for ProMaster City 14" D x 36" W x 42" H |
| 1 | P4-RS60-3 | Steel shelving unit for ProMaster City 14" D x 60" W x 42" H |
| 2 | X51-F | Compact 9-drawer unit |



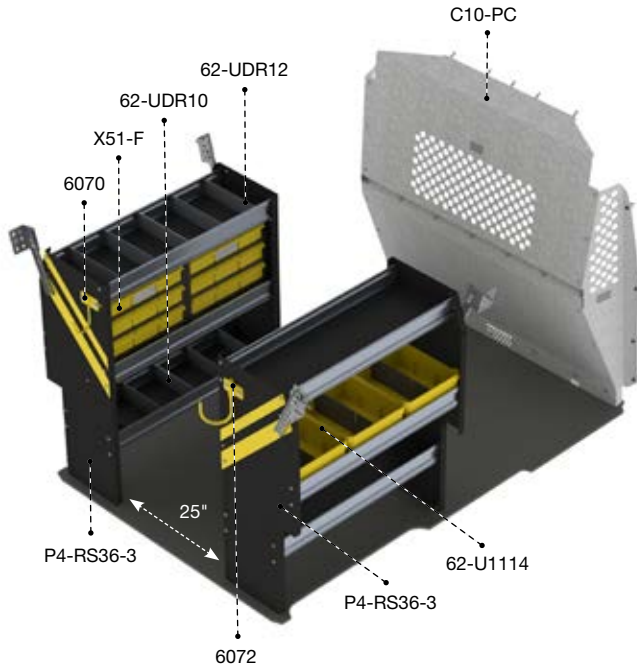
SERVICE
PMC-16

RAM **PROMASTER CITY**





RAM **PROMASTER CITY**

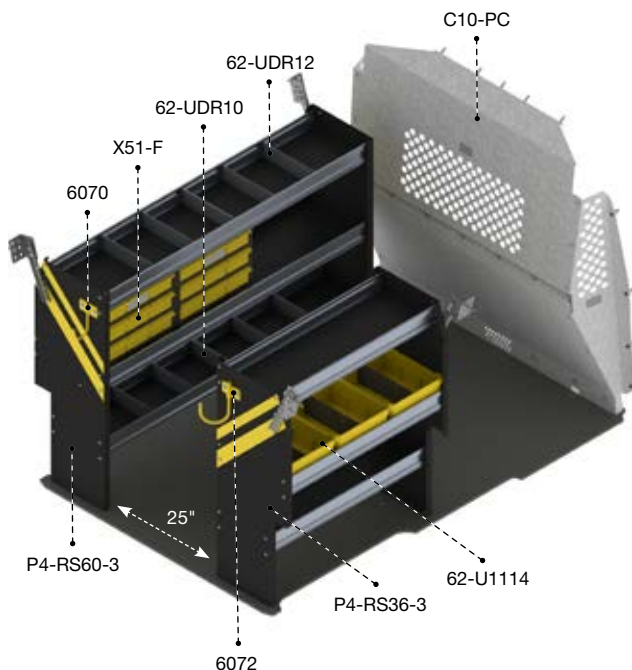


PMC-16
SERVICE

| | | |
|---------|-------|----------|
| Steel | 122" | Standard |
| 223 lbs | 4 hrs | Yes |

| Qty | Part # | Description |
|-----|-----------|--|
| 1 | 6070 | 6" Hook, 3" opening, painted |
| 1 | 6072 | 8" Swivel hook, 4" opening, painted |
| 3 | 62-U1114 | 14" Deep plastic bin |
| 1 | 62-UDR10 | Set of 5 dividers for a 10" shelf |
| 1 | 62-UDR12 | Set of 5 dividers for a 12" shelf |
| 1 | C10-PC | Contoured steel partition with perforated window |
| 2 | P4-RS36-3 | Steel shelving unit for ProMaster City 14" D x 36" W x 42" H |
| 2 | X51-F | Compact 9-drawer unit |

PACKAGES



PMD-16
SERVICE

| | | |
|---------|-------|----------|
| Steel | 122" | Standard |
| 237 lbs | 4 hrs | Yes |

| Qty | Part # | Description |
|-----|-----------|--|
| 1 | 6070 | 6" Hook, 3" opening, painted |
| 1 | 6072 | 8" Swivel hook, 4" opening, painted |
| 3 | 62-U1114 | 14" Deep plastic bin |
| 1 | 62-UDR10 | Set of 5 dividers for a 10" shelf |
| 1 | 62-UDR12 | Set of 5 dividers for a 12" shelf |
| 1 | C10-PC | Contoured steel partition with perforated window |
| 1 | P4-RS36-3 | Steel shelving unit for ProMaster City 14" D x 36" W x 42" H |
| 1 | P4-RS60-3 | Steel shelving unit for ProMaster City 14" D x 60" W x 42" H |
| 2 | X51-F | Compact 9-drawer unit |



RAM PROMASTER CITY

PACKAGES

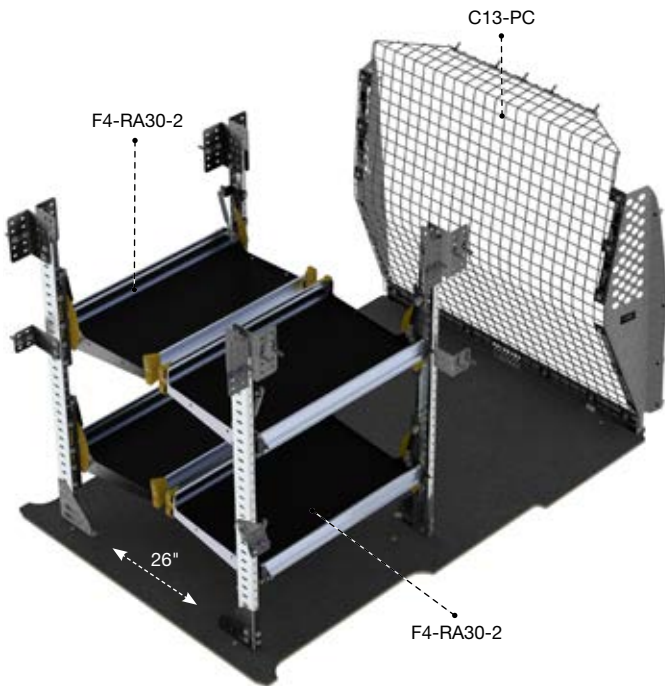


PMC-19 DELIVERY

| | | |
|----------|-------|----------|
| Aluminum | 122" | Standard |
| 161 lbs | 2 hrs | Yes |

| Qty | Part # | Description |
|-----|---------------|---|
| 1 | 5032-1 | Axess tray with 1 shelf and 1 drawer, 38" D x 45" W x 30" H |
| 1 | C13-PC | Wire mesh partition, 38" D x 45" W x 30" H |

Install kit # 6400 can be purchased separately.



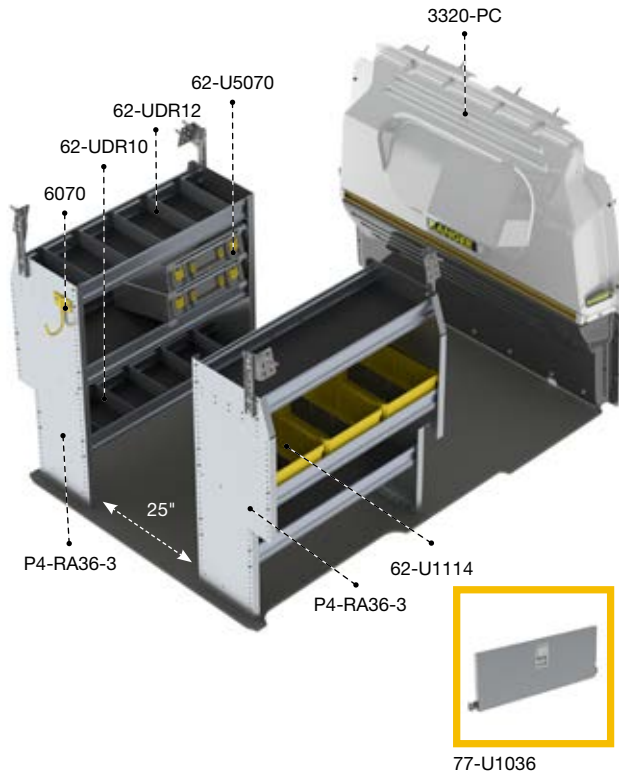
PMD-19 DELIVERY

| | | |
|----------|---------|----------|
| Aluminum | 122" | Standard |
| 188 lbs | 4.2 hrs | Yes |

| Qty | Part # | Description |
|-----|------------------|---|
| 1 | C13-PC | Wire mesh partition |
| 2 | F4-RA30-2 | Fold-away unit, 2 levels, 22" D x 30" W x 47" H |



RAM **PROMASTER CITY**

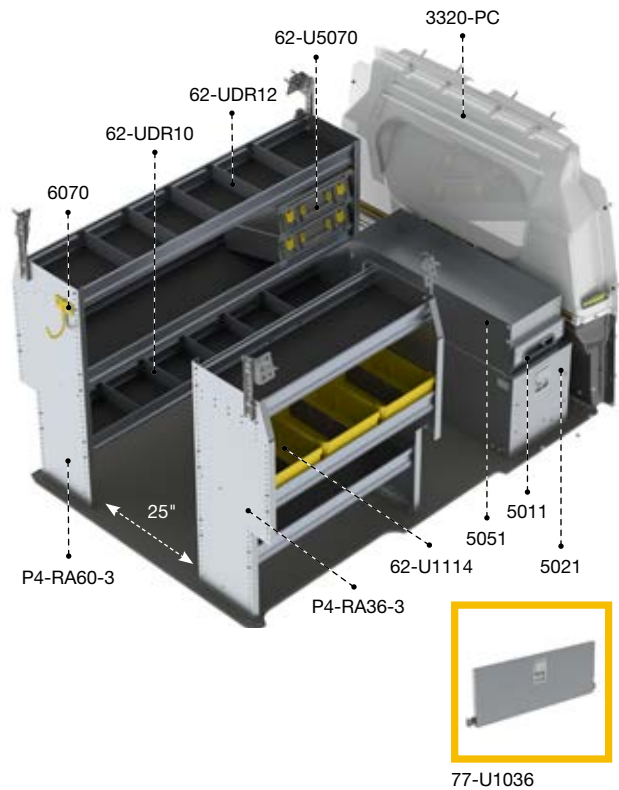


PMC-27
ALUMINUM

| | | |
|----------|---------|----------|
| Aluminum | 122" | Standard |
| 152 lbs | 4.3 hrs | Yes |

| Qty | Part # | Description |
|-----|------------------|---|
| 1 | 3320-PC | Max View countoured safety partition |
| 2 | 62-U5070 | Partskeeper carry case with holder |
| 1 | 6070 | 6" Hook, 3" opening, painted |
| 3 | 62-U1114 | 14" Deep plastic bin |
| 1 | 62-UDR10 | Set of 5 dividers for a 10" shelf |
| 1 | 62-UDR12 | Set of 5 dividers for a 12" shelf |
| 1 | 77-U1036 | Adjustable shelving door unit - 33" W - for 36" & 72" shelves |
| 2 | P4-RA36-3 | Aluminum shelving unit for ProMaster City 14" D x 36" W x 42" H |

PACKAGES



PMD-27
ALUMINUM

| | | |
|----------|-------|----------|
| Aluminum | 122" | Standard |
| 242 lbs | 6 hrs | Yes |

| Qty | Part # | Description |
|-----|------------------|---|
| 1 | 3320-PC | Max View countoured safety partition |
| 1 | 5011 | Partslider 36" D |
| 1 | 5021 | Tool drawer 36" D x 14" W x 16" H |
| 1 | 5051 | Top edge |
| 2 | 62-U5070 | Partskeeper carry case with holder |
| 1 | 6070 | 6" Hook, 3" opening, painted |
| 3 | 62-U1114 | 14" Deep plastic bin |
| 1 | 62-UDR10 | Set of 5 dividers for a 10" shelf |
| 1 | 62-UDR12 | Set of 5 dividers for a 12" shelf |
| 1 | 77-U1036 | Adjustable shelving door unit - 33" W - for 36" & 72" shelves |
| 1 | P4-RA36-3 | Aluminum shelving unit for ProMaster City 14" D x 36" W x 42" H |
| 1 | P4-RA60-3 | Aluminum shelving unit for ProMaster City 14" D x 60" W x 42" H |

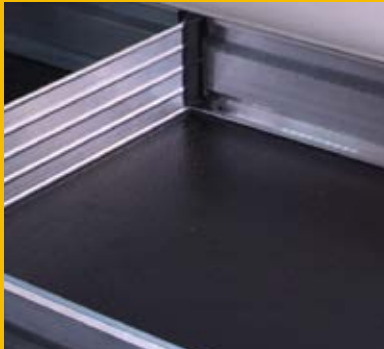


VAN SHELVING

Industry leading strength.
The perfect fit for the toughest jobs.



TOUGH
Extrusion builds durability into shelf.



QUIET
Shelf tray, end panel and extrusion are engineered to be vibration free.



ORGANIZED
A well-planned van outfit increases productivity.

VAN SHELVING

APPLICATION GUIDE P. 132

NOMENCLATURE P. 130

VAN SHELVING ACCESSORIES

BINS P. 143

DIVIDERS (LOW AND HIGH) P. 142

SHELF BLOCK KIT P. 143

VAN SHELVING DOORS P. 141

VAN SHELVING

FOLD-AWAY SHELVING UNIT P. 144

SHELVING UNIT FOR LOW ROOF VAN P. 134

SHELVING UNIT FOR DEEP HIGH ROOF VAN P. 135

SHELVING UNIT FOR HIGH ROOF VAN P. 136

SHELVING UNIT FOR PROMASTER CITY P. 137

SHELVING UNIT FOR SQUARE BACK SHELVING P. 138

SHELVING UNIT FOR TRANSIT CONNECT P. 140

Ranger Design shelving is built strong and durable and often outlasts the vehicle. Designed to fit with maximum efficiency, Ranger Design shelving optimizes the space in a work van's cargo area.

RANGER DESIGN'S SHELVING

We want to simplify the customers' experience and make it easier to install both the shelving and the accessories.

This simple line of shelving makes it easy for you to stock. It enables you to upfit vans faster and to put them on the road quickly.

The benefits of Ranger Design shelving :

- › Simple product line
- › Easy installation in all vans
- › High quality
- › Steel line for quality and value
- › Aluminum line for increased payload

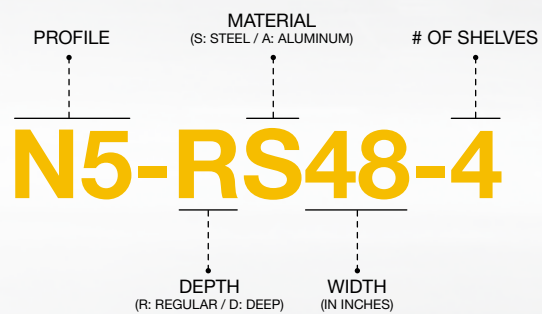
UNITS OFFERED

| Description | Size (shelf tray & height) | Materials | Fits | 36 | 48 | 60 | 72 | 84 | 96 |
|--|-------------------------------|-----------------|---|----|----|----|----|----|----|
| High Roof Van (Square back with Notch) | 14" x 62.5" | Steel, Aluminum | Box Truck, Step Van & Trailer, Nissan NV, ProMaster, Sprinter, Transit | x | x | x | x | x | x |
| Deep High Roof Van (Square back with Notch) | 18" x 62.5" | Steel | Box Truck, Step Van & Trailer, Nissan NV, ProMaster, Sprinter, Transit | x | x | x | x | x | x |
| Low Roof Van (Square back with Notch) | 14" x 46.5" | Steel, Aluminum | Box Truck, Step Van & Trailer, Metris, Nissan NV, NV 200, Savana, Transit | x | x | x | x | x | x |
| Transit Connect | 14" x 46.5" | Steel, Aluminum | Transit Connect | x | | x | | | |
| ProMaster City | 14" x 46.5" | Steel, Aluminum | ProMaster City | x | | x | | | |
| Square back shelving | 14" x 26" | Steel, Aluminum | Box Truck, Step Van & Trailer | x | x | x | | | |
| Square back shelving | 14" x 34" | Steel, Aluminum | Box Truck, Step Van & Trailer | x | x | x | | | |

CONFIGURATION

- › 7 Profiles
- › Shelving comes as a base model
- › Shelves can be upgraded with bins or with dividers
- › All shelves are flat to allow for either bins or dividers

NOMENCLATURE



7 PROFILES

| | |
|-------------|-----------------------------------|
| N4 | 44.5" H with notch at the back |
| N5-D | 62" H Deep with notch at the back |
| N5-R | 62" H with notch at the back |
| P4 | 42" H Contoured ProMaster City |
| S2 | 26" H Square back |
| S3 | 34" H Square back |
| T4 | 41.5" H Contoured Transit Connect |



Application Guide



| Type | Material | Box Truck, Step Van & Trailer | Chevrolet Express | Ford Transit 130" | Ford Transit 148" | Ford Transit 148" Ext. | Ford Transit Connect | GMC Savana | Mercedes-Benz Metris 126" |
|--|----------|-------------------------------|-------------------|-------------------|-------------------|------------------------|----------------------|------------|---------------------------|
| N4 44.5" H with notch at the back | Aluminum | P. 134 | P. 134 | P. 134 | P. 134 | | | P. 134 | P. 134 |
| N4 44.5" H with notch at the back | Steel | P. 134 | P. 134 | P. 134 | P. 134 | | | P. 134 | P. 134 |
| N5-D 62" H Deep with notch at the back | Steel | P. 135 | | P. 135 | P. 135 | P. 135 | | | |
| N5-R 62" H with notch at the back | Aluminum | P. 136 | | P. 136 | P. 136 | P. 136 | | | |
| N5-R 62" H with notch at the back | Steel | P. 136 | | P. 136 | P. 136 | P. 136 | | | |
| P4 42" H Contoured ProMaster City | Aluminum | | | | | | | | |
| P4 42" H Contoured ProMaster City | Steel | | | | | | | | |
| S2 26" H Square back | Aluminum | P. 138 | | | | | | | |
| S2 26" H Square back | Steel | P. 138 | | | | | | | |
| S3 34" H Square back | Aluminum | P. 139 | | | | | | | |
| S3 34" H Square back | Steel | P. 139 | | | | | | | |
| T4 41.5" H Contoured Transit Connect | Aluminum | | | | | | P. 140 | | |
| T4 41.5" H Contoured Transit Connect | Steel | | | | | | P. 140 | | |











VAN SHELVING

SHELVING SIZES

DESIGNED TO INTEGRATE WITH RANGER DESIGN'S FLOORS



See page P. 158 for accessories

| | | | | | | | | | |
|---|---|---|--|---|---|---|---|---|---|
|  |  |  |  |  |  |  |  |  |  |
| Mercedes-Benz Metris 135" | Mercedes-Benz Sprinter | Nissan NV 146" Low Roof | Nissan NV 146" High Roof | Nissan NV200 115" | Ram ProMaster 118" | Ram ProMaster 136" | Ram ProMaster 159" | Ram ProMaster 159" Ext | Ram ProMaster City 122" |
| P. 134 | | P. 134 | | P. 134 | | | | | |
| P. 134 | | P. 134 | | P. 134 | | | | | |
| | P. 135 | | P. 135 | | P. 135 | P. 135 | P. 135 | P. 135 | |
| | P. 136 | | P. 136 | | P. 136 | P. 136 | P. 136 | P. 136 | |
| | P. 136 | | P. 136 | | P. 136 | P. 136 | P. 136 | P. 136 | |
| | | | | | | | | | P. 137 |
| | | | | | | | | | P. 137 |
| | | | | | | | | | |
| | | | | | | | | | |
| | | | | | | | | | |
| | | | | | | | | | |
| | | | | | | | | | |
| | | | | | | | | | |
| | | | | | | | | | |
| | | | | | | | | | |

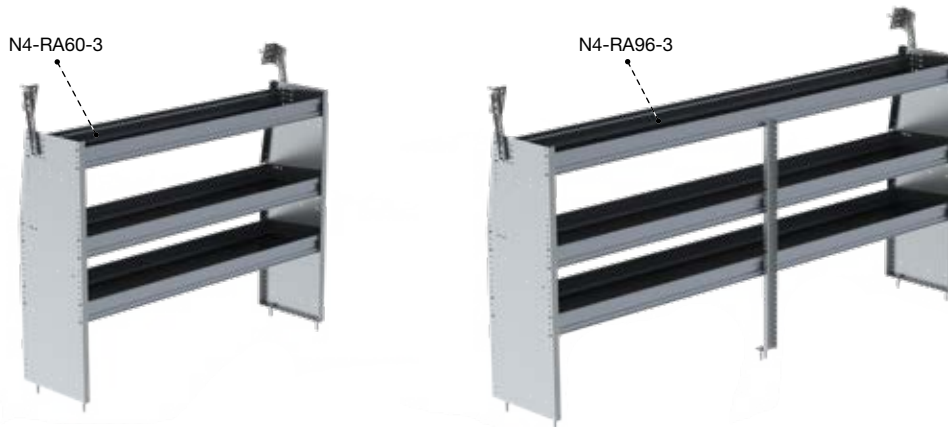
VAN SHELving

SHELF TRAYS

- > All shelf trays (for both steel and aluminum shelving) use aluminum extrusion for the best strength to weight ratio
- > 3" High extrusions for maximum strength and utility
- > All shelves come with marine grade plywood base



VAN SHELVING – UNIT FOR LOW ROOF VAN

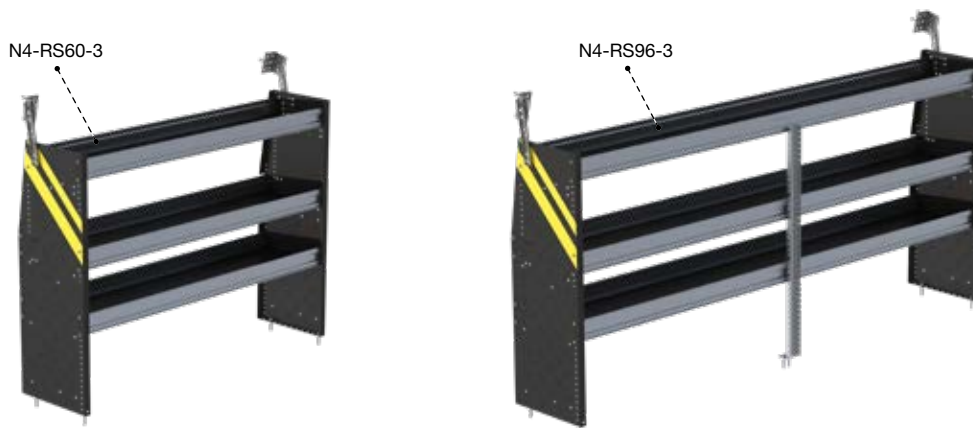


| Aluminum | | | | | | |
|------------------|-------------------------|----------|---------------------------|--------------------|---------|-----|
| N4-RA36-3 | 16" D x 36" W x 44.5" H | 41 lbs | 3 Shelves (12", 14", 14") | 77-U1036 | 1 hr | Yes |
| N4-RA48-3 | 16" D x 48" W x 44.5" H | 48 lbs | 3 Shelves (12", 14", 14") | 77-U1048 | 1 hr | Yes |
| N4-RA60-3 | 16" D x 60" W x 44.5" H | 56 lbs | 3 Shelves (12", 14", 14") | 77-U1060 | 1 hr | Yes |
| N4-RA72-3 | 16" D x 72" W x 44.5" H | 65.5 lbs | 3 Shelves (12", 14", 14") | 77-U1036 | 1.1 hrs | Yes |
| N4-RA84-3 | 16" D x 84" W x 44.5" H | 73 lbs | 3 Shelves (12", 14", 14") | 77-U1036, 77-U1048 | 1.1 hrs | Yes |
| N4-RA96-3 | 16" D x 96" W x 44.5" H | 80.5 lbs | 3 Shelves (12", 14", 14") | 77-U1048 | 1.1 hrs | Yes |



Will only fit upto specific length
 Mercedes-Benz Metris 126" upto 72"
 Mercedes-Benz Metris 135" upto 84"
 Nissan NV200 115" upto 60"

Shelving on this page fits inside these vehicles



| Steel | | | | | | |
|------------------|-------------------------|----------|---------------------------|--------------------|---------|-----|
| N4-RS36-3 | 16" D x 36" W x 44.5" H | 50 lbs | 3 Shelves (12", 14", 14") | 77-U1036 | 1 hr | Yes |
| N4-RS48-3 | 16" D x 48" W x 44.5" H | 57.5 lbs | 3 Shelves (12", 14", 14") | 77-U1048 | 1 hr | Yes |
| N4-RS60-3 | 16" D x 60" W x 44.5" H | 65 lbs | 3 Shelves (12", 14", 14") | 77-U1060 | 1 hr | Yes |
| N4-RS72-3 | 16" D x 72" W x 44.5" H | 74.5 lbs | 3 Shelves (12", 14", 14") | 77-U1036 | 1.1 hrs | Yes |
| N4-RS84-3 | 16" D x 84" W x 44.5" H | 82 lbs | 3 Shelves (12", 14", 14") | 77-U1036, 77-U1048 | 1.1 hrs | Yes |
| N4-RS96-3 | 16" D x 96" W x 44.5" H | 90 lbs | 3 Shelves (12", 14", 14") | 77-U1048 | 1.1 hrs | Yes |

VAN SHELVING – DEEP SHELVING FOR HIGH ROOF VAN

N5-DS60-4



N5-DS96-4



| Steel | | | | | | |
|------------------|-----------------------|------------|--------------------------------|--------------------|---------|-----|
| N5-DS36-4 | 20" D x 36" W x 62" H | 74 lbs | 4 Shelves (16", 18", 18", 18") | 77-U1036 | 1.2 hrs | Yes |
| N5-DS48-4 | 20" D x 48" W x 62" H | 92.25 lbs | 4 Shelves (16", 18", 18", 18") | 77-U1048 | 1.2 hrs | Yes |
| N5-DS60-4 | 20" D x 60" W x 62" H | 104.25 lbs | 4 Shelves (16", 18", 18", 18") | 77-U1060 | 1.2 hrs | Yes |
| N5-DS72-4 | 20" D x 72" W x 62" H | 119 lbs | 4 Shelves (16", 18", 18", 18") | 77-U1036 | 1.4 hrs | Yes |
| N5-DS84-4 | 20" D x 84" W x 62" H | 131 lbs | 4 Shelves (16", 18", 18", 18") | 77-U1036, 77-U1048 | 1.4 hrs | Yes |
| N5-DS96-4 | 20" D x 96" W x 62" H | 143 lbs | 4 Shelves (16", 18", 18", 18") | 77-U1048 | 1.4 hrs | Yes |



Shelving on this page fits inside these vehicles



VAN SHELVING – UNIT FOR HIGH ROOF VAN



| Aluminum | | | | | | |
|------------------|-----------------------|-----------|--------------------------------|--------------------|---------|-----|
| N5-RA36-4 | 16" D x 36" W x 62" H | 54 lbs | 4 Shelves (12", 14", 14", 14") | 77-U1036 | 1.2 hrs | Yes |
| N5-RA48-4 | 16" D x 48" W x 62" H | 64 lbs | 4 Shelves (12", 14", 14", 14") | 77-U1048 | 1.2 hrs | Yes |
| N5-RA60-4 | 16" D x 60" W x 62" H | 74.5 lbs | 4 Shelves (12", 14", 14", 14") | 77-U1060 | 1.2 hrs | Yes |
| N5-RA72-4 | 16" D x 72" W x 62" H | 87 lbs | 4 Shelves (12", 14", 14", 14") | 77-U1036 | 1.4 hrs | Yes |
| N5-RA84-4 | 16" D x 84" W x 62" H | 97 lbs | 4 Shelves (12", 14", 14", 14") | 77-U1036, 77-U1048 | 1.4 hrs | Yes |
| N5-RA96-4 | 16" D x 96" W x 62" H | 107.5 lbs | 4 Shelves (12", 14", 14", 14") | 77-U1048 | 1.4 hrs | Yes |



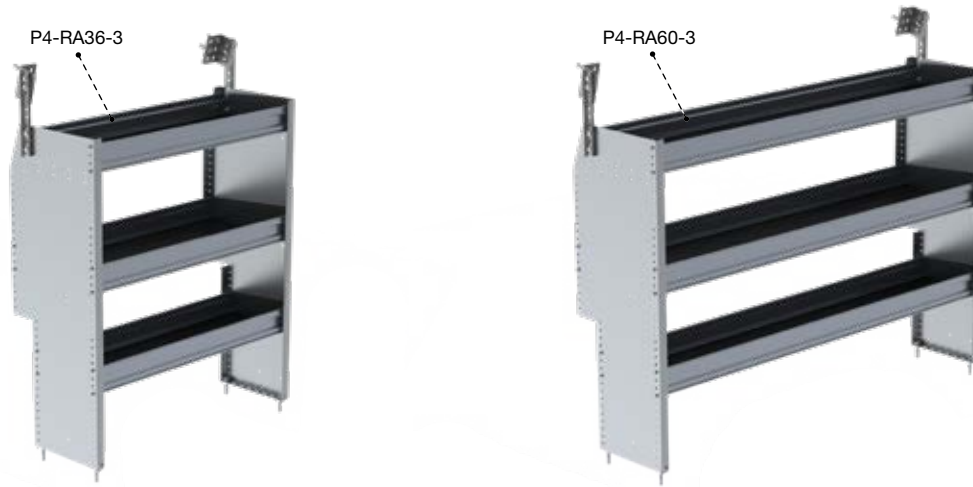
Shelving on this page fits inside these vehicles










| Steel | | | | | | |
|------------------|-----------------------|-----------|--------------------------------|--------------------|---------|-----|
| N5-RS36-4 | 16" D x 36" W x 62" H | 67.75 lbs | 4 Shelves (12", 14", 14", 14") | 77-U1036 | 1.2 hrs | Yes |
| N5-RS48-4 | 16" D x 48" W x 62" H | 78 lbs | 4 Shelves (12", 14", 14", 14") | 77-U1048 | 1.2 hrs | Yes |
| N5-RS60-4 | 16" D x 60" W x 62" H | 88 lbs | 4 Shelves (12", 14", 14", 14") | 77-U1060 | 1.2 hrs | Yes |
| N5-RS72-4 | 16" D x 72" W x 62" H | 100.5 lbs | 4 Shelves (12", 14", 14", 14") | 77-U1036 | 1.4 hrs | Yes |
| N5-RS84-4 | 16" D x 84" W x 62" H | 111 lbs | 4 Shelves (12", 14", 14", 14") | 77-U1036, 77-U1048 | 1.4 hrs | Yes |
| N5-RS96-4 | 16" D x 96" W x 62" H | 121 lbs | 4 Shelves (12", 14", 14", 14") | 77-U1048 | 1.4 hrs | Yes |

VAN SHELVING

VAN SHELVING – UNIT FOR PROMASTER CITY




|  Aluminum |  |  |  |  |  |  |
|--|---|---|---|---|---|---|
| P4-RA36-3 | 15.75" D x 36" W x 42" H | 37.5 lbs | 3 Shelves (12", 14", 10") | 77-U1036 | 1 hr | Yes |
| P4-RA60-3 | 15.75" D x 60" W x 42" H | 51.75 lbs | 3 Shelves (12", 14", 10") | 77-U1060 | 1 hr | Yes |










Shelving on this page fits inside these vehicles



|  Steel |  |  |  |  |  |  |
|---|---|---|---|---|---|---|
| P4-RS36-3 | 15.75" D x 36" W x 42" H | 45.25 lbs | 3 Shelves (12", 14", 10") | 77-U1036 | 1 hr | Yes |
| P4-RS60-3 | 15.75" D x 60" W x 42" H | 59.5 lbs | 3 Shelves (12", 14", 10") | 77-U1060 | 1 hr | Yes |

VAN SHELVING – SQUARE BACK SHELVING UNIT










|  Aluminum |  |  |  |  |  |  |
|--|---|---|---|---|---|---|
| S2-RA36-2 | 16" D x 36" W x 28" H | 28 lbs | 2 Shelves (14", 14") | 77-U1036 | 0.9 hr | Yes |
| S2-RA48-2 | 16" D x 48" W x 28" H | 33.5 lbs | 2 Shelves (14", 14") | 77-U1048 | 0.9 hr | Yes |
| S2-RA60-2 | 16" D x 60" W x 28" H | 38.5 lbs | 2 Shelves (14", 14") | 77-U1060 | 0.9 hr | Yes |



Box Truck,
Step Van & Trailer

Shelving on this page fits inside these vehicles



|  Steel |  |  |  |  |  |  |
|---|---|---|---|---|---|---|
| S2-RS36-2 | 16" D x 36" W x 28" H | 34 lbs | 2 Shelves (14", 14") | 77-U1036 | 0.9 hr | Yes |
| S2-RS48-2 | 16" D x 48" W x 28" H | 39 lbs | 2 Shelves (14", 14") | 77-U1048 | 0.9 hr | Yes |
| S2-RS60-2 | 16" D x 60" W x 28" H | 44.5 lbs | 2 Shelves (14", 14") | 77-U1060 | 0.9 hr | Yes |

VAN SHELVING – SQUARE BACK SHELVING UNIT



| Aluminum | | | | | | |
|------------------|-----------------------|-----------|---------------------------|----------|------|-----|
| S3-RA36-3 | 16" D x 36" W x 36" H | 38.75 lbs | 3 Shelves (14", 14", 14") | 77-U1036 | 1 hr | Yes |
| S3-RA48-3 | 16" D x 48" W x 36" H | 46.5 lbs | 3 Shelves (14", 14", 14") | 77-U1048 | 1 hr | Yes |
| S3-RA60-3 | 16" D x 60" W x 36" H | 54.25 lbs | 3 Shelves (14", 14", 14") | 77-U1060 | 1 hr | Yes |



Box Truck,
Step Van & Trailer

Shelving on this page fits inside these vehicles



| Steel | | | | | | |
|------------------|-----------------------|-----------|---------------------------|----------|------|-----|
| S3-RS36-3 | 16" D x 36" W x 36" H | 46 lbs | 3 Shelves (14", 14", 14") | 77-U1036 | 1 hr | Yes |
| S3-RS48-3 | 16" D x 48" W x 36" H | 54 lbs | 3 Shelves (14", 14", 14") | 77-U1048 | 1 hr | Yes |
| S3-RS60-3 | 16" D x 60" W x 36" H | 61.75 lbs | 3 Shelves (14", 14", 14") | 77-U1060 | 1 hr | Yes |

VAN SHELVING – UNIT FOR TRANSIT CONNECT



| | Aluminum | | | | | | |
|------------------|----------------------------|--------|---------------------------|----------|------|-----|--|
| T4-RA36-3 | 15.75" D x 36" W x 41.5" H | 39 lbs | 3 Shelves (14", 14", 12") | 77-U1036 | 1 hr | Yes | |
| T4-RA60-3 | 15.75" D x 60" W x 41.5" H | 54 lbs | 3 Shelves (14", 14", 12") | 77-U1060 | 1 hr | Yes | |

VAN SHELVING



Ford Transit Connect

Shelving on this page fits inside these vehicles



| | Steel | | | | | | |
|------------------|----------------------------|--------|---------------------------|----------|------|-----|--|
| T4-RS36-3 | 15.75" D x 36" W x 41.5" H | 47 lbs | 3 Shelves (14", 14", 12") | 77-U1036 | 1 hr | Yes | |
| T4-RS60-3 | 15.75" D x 60" W x 41.5" H | 62 lbs | 3 Shelves (14", 14", 12") | 77-U1060 | 1 hr | Yes | |





SHELVING DOORS

3 different doors are available to fit all our shelving units, according to the width of the shelf.



It's Simple:

- > Adjustable height
- > Drill free install
- > Very easy to stock

| Aluminum |  | Use with shelf width |  |  |  |
|-----------------|---|----------------------|---|---|---|
| 77-U1036 | 36" adjustable | 36", 72", 84" | 7.2 lbs | 0.5 hr | Yes |
| 77-U1048 | 48" adjustable | 48", 84", 96" | 8.9 lbs | 0.5 hr | Yes |
| 77-U1060 | 60" adjustable | 60" | 10.6 lbs | 0.5 hr | Yes |

84" Shelf will accommodate one 77-U1036 and one 77-U1048 only.



VAN SHELVING

DIVIDERS

SET OF FIVE

- > Sold in packs of 5 for each depth of shelf tray
- > Infinitely adjustable
- > Metal extrusion for strength, plastic clips to ensure no noise



| Material | Dimensions | Weight | Shelf Opening |
|-----------------|-------------------------|---------|---------------|
| Aluminum | | | |
| 62-UDR10 | 10" D × 1.125" W × 3" H | 1.1 lbs | Yes |
| 62-UDR12 | 12" D × 1.125" W × 3" H | 1.3 lbs | Yes |
| 62-UDR14 | 14" D × 1.125" W × 3" H | 1.5 lbs | Yes |
| 62-UDR16 | 16" D × 1.125" W × 3" H | 1.7 lbs | Yes |
| 62-UDR18 | 18" D × 1.125" W × 3" H | 1.9 lbs | Yes |

VAN SHELVING

HIGH DIVIDERS

SET OF FIVE



| Material | Dimensions | Weight | Shelf Opening |
|-----------------|-------------------------|---------|---------------|
| Aluminum | | | |
| 62-UDH10 | 10" D × 1.125" W × 6" H | 2.2 lbs | No |
| 62-UDH12 | 12" D × 1.125" W × 6" H | 2.7 lbs | No |
| 62-UDH14 | 14" D × 1.125" W × 6" H | 3.2 lbs | No |
| 62-UDH16 | 16" D × 1.125" W × 6" H | 3.7 lbs | No |
| 62-UDH18 | 18" D × 1.125" W × 6" H | 4.1 lbs | No |

- > Sold in packs of 5 for each depth of shelf tray
- > Infinitely adjustable
- > 6" high to ensure stock stays put

BINS

- > 3 Sizes: 10", 12", 14" deep
- > All 12" wide
- > Comes with a center divider
- > Packs of two cross dividers available (62-U1212)



62-U1110

10" Deep plastic bins

Plastic

| | |
|--|-------------------------------|
| | 10.87" D x 11.87" W x 5.25" H |
| | 1.5 lbs |
| | – |
| | Yes |



62-U1112

12" Deep plastic bins

Plastic

| | |
|--|-------------------------------|
| | 12.87" D x 11.87" W x 5.25" H |
| | 1.7 lbs |
| | – |
| | Yes |



62-U1114

14" Deep plastic bins

Plastic

| | |
|--|-------------------------------|
| | 14.87" D x 11.87" W x 5.25" H |
| | 1.9 lbs |
| | – |
| | Yes |



62-U1212

2 Cross dividers for plastic bins
Fits all size bins

Plastic

| | |
|--|-------------------------------|
| | 11.25" D x 0.875" W x 4.25" H |
| | 0.3 lb |
| | – |
| | Yes |

SHELF BLOCK KIT

- > Universal shelf block
- > Compatible with all shelving
- > The height is adjustable from 12-17" in 1" increments



70-U7740

Universal shelf block

Aluminum

| | |
|--|------------------------|
| | 14" D x 1.5" W x 12" H |
| | 2.2 lbs |
| | 0.5 hr |
| | No |



RANGER DESIGN'S FOLD-AWAY

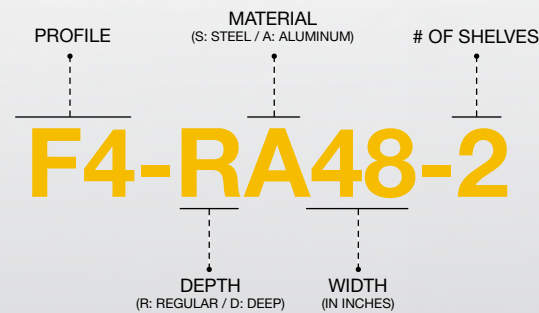
Ranger Design's Fold-Away shelving is designed to offer delivery companies the most flexible storage space possible. Folding shelves allow the driver to quickly and easily change the configuration depending on the delivery needs.

With a 250 lbs weight capacity, the shelves can be adjusted to carry packages of various sizes, while large skids can be put on the floor eliminating wasted space and increasing efficiency.

The benefits of Fold-Away shelving :

- > Quiet and rattle free
- > Easy installation in all vans
- > Maximization of cargo space
- > Anti-pinch guards to ensure safety

NOMENCLATURE










2 PROFILES


| | |
|-----------|-----------------|
| F4 | 48" H Fold-Away |
| F5 | 63" H Fold-Away |

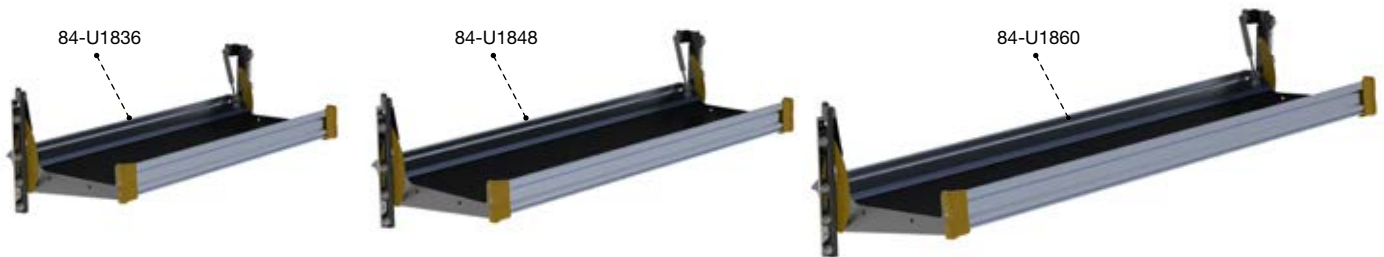









VAN SHELVING – FOLD-AWAY



|  Aluminum | |  |  |  |  |  |  |
|--|--------------------------|---|---|---|---|---|---|
| 84-U0048 | Fold-Away Post with foot | 8" D × 9" W × 54.5" H | 10.5 lbs | – | – | 0.5 hr | Yes |
| 84-U0063 | Fold-Away Post with foot | 8" D × 9" W × 65" H | 11.5 lbs | – | – | 0.5 hr | Yes |

 Dimensions include the brackets. The posts alone are 48" H and 63" H



|  Aluminum | |  |  |  |  |  |  |
|--|----------------------|---|---|---|---|---|---|
| 84-U1830 | Fold-Away shelf tray | 18" D × 30" W | 19 lbs | 18" | – | 0.3 hr | Yes |
| 84-U1836 | Fold-Away shelf tray | 18" D × 36" W | 19 lbs | 18" | – | 0.3 hr | Yes |
| 84-U1848 | Fold-Away shelf tray | 18" D × 48" W | 23 lbs | 18" | – | 0.3 hr | Yes |
| 84-U1860 | Fold-Away shelf tray | 18" D × 60" W | 26.5 lbs | 18" | – | 0.3 hr | Yes |
| 84-U1872 | Fold-Away shelf tray | 18" D × 72" W | 30 lbs | 18" | – | 0.3 hr | Yes |
| 84-U2036 | Fold-Away shelf tray | 20" D × 36" W | 21.5 lbs | 20" | – | 0.3 hr | Yes |
| 84-U2048 | Fold-Away shelf tray | 20" D × 48" W | 25 lbs | 20" | – | 0.3 hr | Yes |
| 84-U2060 | Fold-Away shelf tray | 20" D × 60" W | 28 lbs | 20" | – | 0.3 hr | Yes |
| 84-U2072 | Fold-Away shelf tray | 20" D × 72" W | 31.5 lbs | 20" | – | 0.3 hr | Yes |

VAN SHELVING – FOLD-AWAY



Aluminum



| | | | | | | | |
|------------------|-------------------------------|-----------------------|----------|----------------------|---------|---------|-----|
| F4-RA30-2 | Fold-Away unit with 2 shelves | 22" D x 42" W x 51" H | 58.4 lbs | 2 shelves (18", 18") | 250 lbs | 1.6 hrs | Yes |
| F4-RA36-2 | Fold-Away unit with 2 shelves | 22" D x 48" W x 51" H | 61.4 lbs | 2 shelves (18", 18") | 250 lbs | 1.6 hrs | Yes |
| F4-RA48-2 | Fold-Away unit with 2 shelves | 22" D x 60" W x 51" H | 67.6 lbs | 2 shelves (18", 18") | 250 lbs | 1.6 hrs | Yes |
| F4-RA60-2 | Fold-Away unit with 2 shelves | 22" D x 72" W x 51" H | 73 lbs | 2 shelves (18", 18") | 250 lbs | 1.6 hrs | Yes |
| F4-RA72-2 | Fold-Away unit with 2 shelves | 22" D x 84" W x 51" H | 80 lbs | 2 shelves (18", 18") | 250 lbs | 1.6 hrs | Yes |

The dimensions shown are the final installed dimensions with the brackets



Chevrolet Express



Ford Transit Low Roof



Ford Transit Connect



GMC Savana



Mercedes-Benz Metris



Nissan NV Low Roof



Nissan NV200



Ram ProMaster City

Does not fit the F4-RA72-2

Shelving on this page fits inside these vehicles

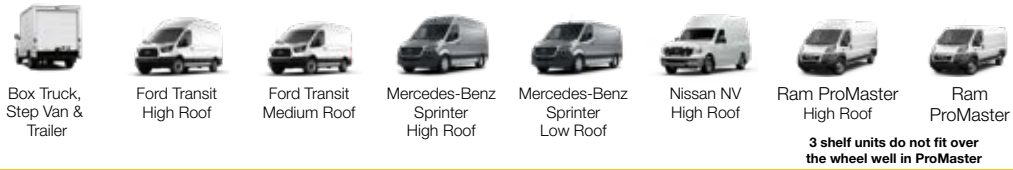


VAN SHELVING – FOLD-AWAY

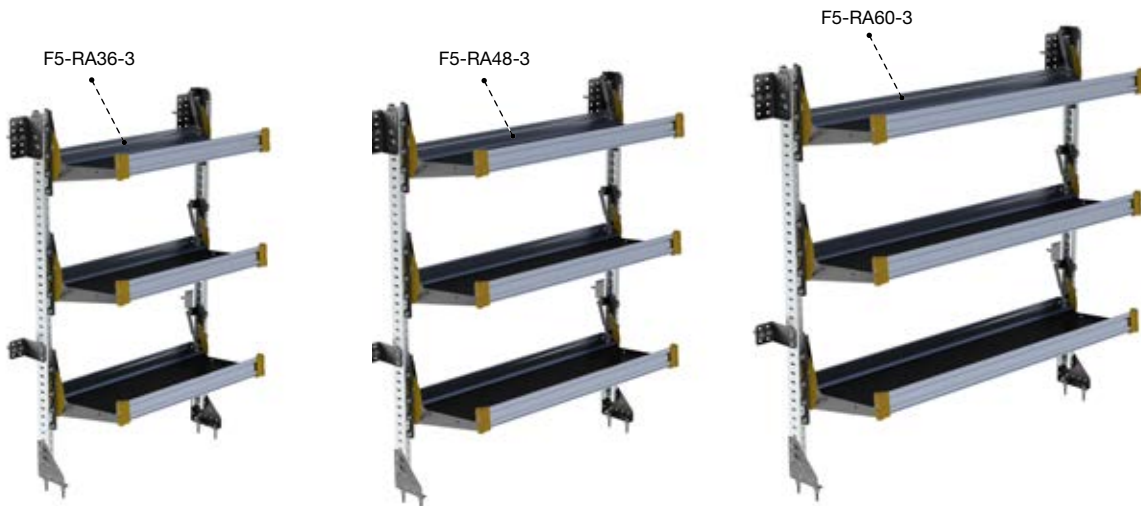


| Aluminum | | | | | | | |
|------------------|-------------------------------|-----------------------|----------|----------------------|---------|---------|-----|
| F5-RA36-2 | Fold-Away unit with 2 shelves | 25" D × 48" W × 65" H | 66 lbs | 2 shelves (20", 20") | 250 lbs | 1.6 hrs | Yes |
| F5-RA48-2 | Fold-Away unit with 2 shelves | 25" D × 60" W × 65" H | 72.5 lbs | 2 shelves (20", 20") | 250 lbs | 1.6 hrs | Yes |
| F5-RA60-2 | Fold-Away unit with 2 shelves | 25" D × 72" W × 65" H | 79 lbs | 2 shelves (20", 20") | 250 lbs | 1.6 hrs | Yes |
| F5-RA72-2 | Fold-Away unit with 2 shelves | 25" D × 84" W × 65" H | 86 lbs | 2 shelves (20", 20") | 250 lbs | 1.6 hrs | Yes |

The dimensions shown are the final installed dimensions with the brackets



Shelving on this page fits inside these vehicles



| Aluminum | | | | | | | |
|------------------|--------------------------------|-----------------------|-----------|---------------------------|---------|---------|-----|
| F5-RA36-3 | Fold-Away unit, with 3 shelves | 22" D × 48" W × 65" H | 84 lbs | 3 shelves (18", 18", 18") | 300 lbs | 1.9 hrs | Yes |
| F5-RA48-3 | Fold-Away unit, with 3 shelves | 22" D × 60" W × 65" H | 93 lbs | 3 shelves (18", 18", 18") | 300 lbs | 1.9 hrs | Yes |
| F5-RA60-3 | Fold-Away unit, with 3 shelves | 22" D × 72" W × 65" H | 102 lbs | 3 shelves (18", 18", 18") | 300 lbs | 1.9 hrs | Yes |
| F5-RA72-3 | Fold-Away unit, with 3 shelves | 22" D × 84" W × 65" H | 111.5 lbs | 3 shelves (18", 18", 18") | 300 lbs | 1.9 hrs | Yes |

The dimensions shown are the final installed dimensions with the brackets



VAN DRAWERS

Durable storage compartments,
designed for quick and easy access.



TOUGH

Aluminum drawers are backed by a 10 year warranty.



QUICK

Easy to use slam latch.



SECURE

Keyed lock to guard valuables.

VAN DRAWERS

AXESS TRAYS P. 150
COMPACT DRAWERS P. 157
DRAWER CABINETS P. 155
TOOL DRAWERS P. 152

Ranger Design manufactures a variety of tough, quiet drawer systems and storage modules.

We use top quality components such as full-extension, high-capacity ball-bearing drawer slides, secure locks, and Ranger Design's unique braided stainless steel cable-pull handles.

These drawers are the organizational quality that you deserve.

If you never again want to experience the frustration of drawers that jam, sag, and don't latch properly, we have the solution.



VAN DRAWERS – AXESS TRAY

AXESS TRAYS



5032-0

Axess Tray with 1 shelf / no drawers

Aluminum

38" D x 44" W x 30" H

–

52 lbs

0.9 hr

No



5032-1

Axess Tray with 1 shelf / 1 drawer

Aluminum

38" D x 44" W x 30" H

200 lbs

86 lbs

1 hr

Yes



5032-2

Axess Tray with 1 shelf / 2 drawers

Aluminum

38" D x 44" W x 30" H

200 lbs

120 lbs

1.1 hrs

No



5032-3

Axess Tray with 1 shelf / 3 drawers

Aluminum

38" D x 44" W x 30" H

200 lbs

154 lbs

1.2 hrs

No



5032-A

Axess Tray drawer only, complete with slides

Aluminum

38.75" D x 41.75" W x 4.25" H

–

34 lbs

–

No



5032-F

Axess Tray full back panel for 5032 series

Aluminum

41" W x 27.25" H

—

7 lbs

0.25 hr

No



5037-0

Axess Tray with 1 shelf / no drawers

Aluminum

38" D x 44" W x 42" H

—

60 lbs

1 hr

No



5037-1

Axess Tray with 1 shelf / 1 drawer

Aluminum

38" D x 44" W x 42" H

200 lbs

93 lbs

1.1 hrs

No



5037-2

Axess Tray with 1 shelf / 2 drawers

Aluminum

38" D x 44" W x 42" H

200 lbs

127 lbs

1.2 hrs

No



5037-3

Axess Tray with 1 shelf / 3 drawers

Aluminum

38" D x 44" W x 42" H

200 lbs

161 lbs

1.3 hrs

No



5037-A

Axess Tray drawer only, complete with slides

Aluminum

38" D x 41.75" W x 4.25" H

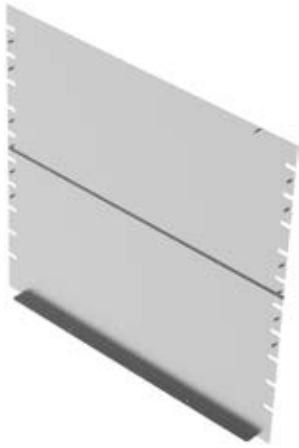
—

34 lbs

—

No

VAN DRAWERS – TOOL DRAWERS



5037-F

Axess Tray full back panel for 5037 series

Aluminum

41" W x 39.25" H

–

10 lbs

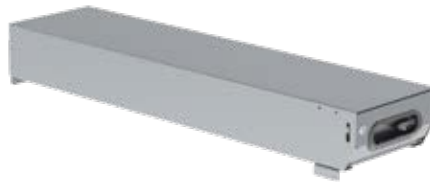
0.25 hr

No



VAN DRAWERS

TOOL DRAWERS



5010

Partslider drawer

Aluminum

48" D x 12" W x 6" H

150 lbs

25 lbs

0.5 hr

Yes



5011

Partslider drawer

Aluminum

36" D x 12" W x 6" H

150 lbs

20 lbs

0.5 hr

No



5014

Floor mount kit for 5010 / 5011 Partslider drawer

Aluminum

12" W x 1" H

—

1.5 lbs

—

Yes



5020

Tool drawer

Aluminum

48" D x 14" W x 16" H

320 lbs

70 lbs

1 hr

Yes



5021

Tool drawer

Aluminum

36" D x 14" W x 16" H

320 lbs

61 lbs

1 hr

No



5025

Jumbo tool drawer

Aluminum

48" D x 16" W x 19.5" H

320 lbs

83 lbs

1 hr

Yes



5026

Jumbo tool drawer

Aluminum

36" D x 16" W x 19.5" H

320 lbs

72 lbs

1 hr

No



5028

Raised base for the 5020 and 5021 tool drawer

Aluminum

4" D x 14" W x 6" H

—

5 lbs

0.5 hr

No

VAN DRAWERS – TOOL DRAWERS



5029

Raised kit for the 5025 and 5026 tool drawer

Aluminum

6" D x 16" W x 6" H

—

8 lbs

0.5 hr

No



5048

Top edge, for 5010 Partslider

Aluminum

48" D x 12" W x 4" H

—

6.2 lbs

0.2 hr

Yes



5049

Top edge, for 5020 Tool Drawer

Aluminum

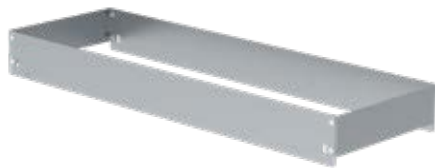
48" D x 14" W x 4" H

—

6.2 lbs

0.2 hr

No



5050

Top edge, for 5025 jumbo Tool Drawer

Aluminum

48" D x 16" W x 4" H

—

6.5 lbs

0.2 hr

No



5051

Top edge, for 5011 Partslider

Aluminum

36" D x 12" W x 4" H

—

5 lbs

0.2 hr

No



5052

Top edge, for 5021 Tool Drawer

Aluminum

36" D x 14" W x 4" H

—

5 lbs

0.2 hr

No



5053

Top edge, for 5026 jumbo Tool Drawer

Aluminum

36" D x 16" W x 4" H

—

5.5 lbs

0.2 hr

No



5057

Top edge, for 5060 Drawer Cabinet

Aluminum

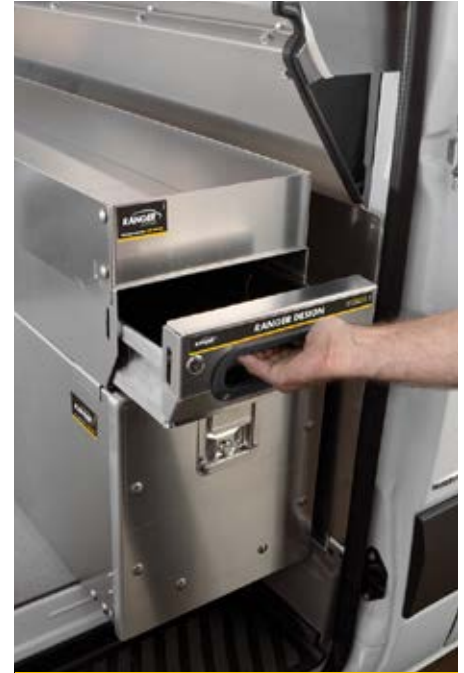
18" D x 22" W x 4" H

—

4 lbs

0.2 hr

No



5020 Tool drawer mounted with a 5010 partslider drawer and a 5048 top edge

DRAWER CABINETS



5060-5

5 Drawer cabinet with a door

Aluminum

18" D x 24" W x 36" H

150 lbs/drawer

160 lbs

1 hr

Yes



5060-6

6 Drawer cabinet

Aluminum

18" D x 24" W x 36" H

150 lbs/drawer

183 lbs

1 hr

Yes

VAN DRAWERS – DRAWER CABINETS



5060-8

8 Drawer cabinet

Aluminum

18" D x 24" W x 36" H

150 lbs/drawer

225 lbs

1 hr

No



5065-8

8 Drawer cabinet, square back

Aluminum

19" D x 24" W x 56" H

150 lbs/drawer

247 lbs

1 hr

Yes



5066-8

8 Drawer cabinet, contoured

Aluminum

20" D x 24" W x 56" H

150 lbs/drawer

250 lbs

1 hr

Yes

VAN DRAWERS



5067-6

6 Drawer cabinet

Aluminum

18" D x 18" W x 28" H

150 lbs/drawer

156 lbs

0.5 hr

Yes








COMPACT DRAWERS



5068-3
3 Drawer cabinet






Aluminum

| | |
|---|-----------------------|
|  | 18" D x 15" W x 15" H |
|  | 150 lbs/drawer |
|  | 75 lbs |
|  | 0.5 hr |
|  | Yes |



5069-2
2 Drawer cabinet






Aluminum

| | |
|---|-----------------------|
|  | 14" D x 24" W x 12" H |
|  | 150 lbs/drawer |
|  | 36 lbs |
|  | 0.5 hr |
|  | Yes |



X50-B
Compact locking 2-Drawer cabinet






Steel

| | |
|---|-----------------------------|
|  | 12.5" D x 18.5" W x 10.5" H |
|  | 22 lbs/drawer |
|  | 23 lbs |
|  | 0.3 hr |
|  | Yes |



X50-C
Compact locking 3-Drawer cabinet






Steel

| | |
|---|-----------------------------|
|  | 12.5" D x 18.5" W x 10.5" H |
|  | 22 lbs/drawer |
|  | 24 lbs |
|  | 0.3 hr |
|  | Yes |



X51-F
Compact 9-Drawer cabinet

Steel

| | |
|---|-----------------------|
|  | 12" D x 17" W x 12" H |
|  | — |
|  | 24 lbs |
|  | 0.3 hr |
|  | Yes |



VAN STORAGE UNITS

Safe and practical to make
your day-to-day tasks easier.



VERSATILE

Customizable storage case for carrying tools onto the job.



TOUGH

A handy workstation for any task.



SAFE

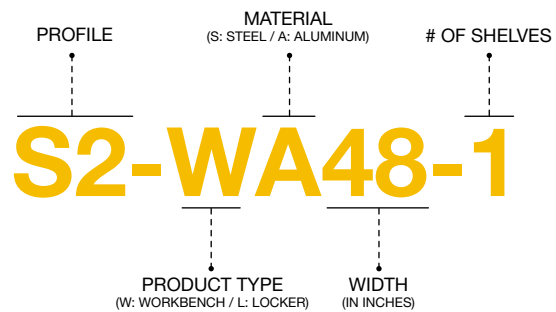
Lockable storage unit with hooks and a shelf inside.

VAN STORAGE UNITS

BOTTLE HOLDERS P. 161
 CAB BOXES P. 160
 LOCKERS P. 165
 PARTSKEEPER CABINETS P. 164
 PARTSKEEPER CASE P. 164
 WORKBENCHES P. 166

Ranger Design has simplified the line-up to facilitate ordering and stocking. Lockers, workbenches, partsekeepers and partskeeper cabinets now have a new look to conform with our shelving series.

NOMENCLATURE



PROFILES

| | |
|-----------|-----------------------------------|
| S2 | 32" High Workbenches |
| S3 | 40" High Workbenches |
| N4 | 44" High Lockers and PartsKeepers |
| N5 | 62" High Lockers and PartsKeepers |



VAN STORAGE UNITS – CAB BOXES

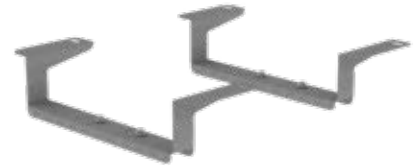
CAB BOXES



5040
Cab box with locking lid, Narrow

Aluminum

| | |
|--|---------------------------|
| | 20" D x 6.5" W x 15.75" H |
| | 11.2 lbs |
| | 0.5 hr |
| | Yes |



5041
Raised base for the 5040 cab box, Transit and Metris

Steel

| | |
|--|--------------------|
| | 18.75" W x 3.63" H |
| | 2.7 lbs |
| | 0.7 hr |
| | Yes |



5044
Raised base for 5045 cab box, Sprinter

Aluminum

| | |
|--|--------------------------|
| | 22.5" D x 11.5" W x 9" H |
| | 4 lbs |
| | 0.2 hr |
| | Yes |



5045
Cab box with locking lid

Aluminum

| | |
|--|-------------------------------|
| | 18.75" D x 12.5" W x 15.75" H |
| | 15.8 lbs |
| | 0.4 hr |
| | Yes |



5047
Raised base for ProMaster cab box
*Compatible with a 5040 Cab Box for 2021 MY and newer ProMasters

Aluminum

| | |
|--|--------------------------|
| | 21.5" D x 13" W x 5.5" H |
| | 5 lbs |
| | 0.2 hr |
| | No |



5058

Raised base for GM Savana/Express Van cab box

Aluminum

15" D x 9.5" W x 3.5" H

3.5 lbs

0.4 hr

No

BOTTLE HOLDERS



C5-BA13-4

4 Tier refrigerant rack for large bottles

Aluminum

13.63" D x 14.29" W x 62.25" H

34 lbs

0.7 hr

No



C5-BA11-5

5 Tier refrigerant rack for small bottles

Aluminum

13.63" D x 11.79" W x 62.25" H

34.1 lbs

0.7 hr

No



C5-BA13-5

5 Tier refrigerant rack for large bottles for small and large bottles

Aluminum

13.63" D x 14.29" W x 62.25" H

34 lbs

0.7 hr

Yes



C4-BA11-3

3 tier refrigerant rack for small bottles

Aluminum

14" D x 10.5" W x 43" H

29 lbs

0.6 hr

No

VAN STORAGE UNITS – BOTTLE HOLDERS



C4-BA11-4

4 tier refrigerant rack for small bottles

Aluminum

14" D x 10.5" W x 43" H

26 lbs

0.6 hr

Yes



C4-BA13-3

3 tier refrigerant rack for large bottles

Aluminum

14" D x 13" W x 43" H

25 lbs

0.6 hr

Yes



6010

Two level adjustable bottle holder

Aluminum

10.25" D x 9.5" W x 36" H

8 lbs

0.4 hr

Yes



6020

Horizontal refrigerant bottle holder

Aluminum

12.5" D x 48" W x 13" H

17 lbs

0.5 hr

No



6030

Bottle rack with straps

Aluminum

48" W

4 lbs

0.5 hr

No



6035

Bottle rack with straps

Aluminum

60" W

6 lbs

0.5 hr

No

VAN STORAGE UNITS – BOTTLE HOLDERS



6086

Small aluminum bottle holder, with a black nylon strap

Aluminum

6" W × 12" H

1 lb

0.2 hr

Yes



6088

Large aluminum bottle holder, with two black nylon straps

Aluminum

8" W × 24" H

5 lbs

0.2 hr

Yes



6013-3

3 Tier refrigerant rack

Steel

15.25" D × 13.63" W × 43.25" H

40.9 lbs

0.66 hr

No



6040

Locking cabinet

Aluminum

8.5" D × 12" W × 24" H

16 lbs

0.6 hr

No



6041

Locking cabinet

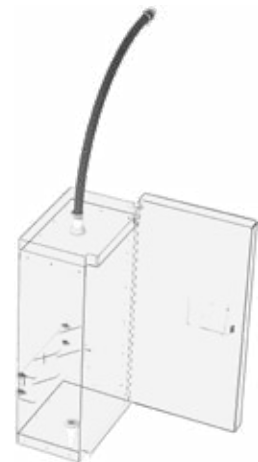
Aluminum

15" D × 15.5" W × 33" H

31 lbs

0.7 hr

Yes



6049

Ventilation kit for cabinet

Plastic

–

0 lb

–

Yes

VAN STORAGE UNITS – PARTSKEEPERS

PARTS-KEEPERS



62-U5079

Partskeeper carry case
See P. 185 for partskeeper bins

Plastic

13.5" D x 16.75" W x 4" H

4.3 lbs

–

Yes



CAN BE INSTALLED EITHER WAY



62-U5070

Partskeeper carry case with holder,
universal

Aluminum

14" D x 17" W x 6" H

7.8 lbs

0.2 hr

Yes



62-U5074

Partskeeper floor mount cabinet
with 4 carry cases, universal

Aluminum

14" D x 17" W x 24.5" H

34.2 lbs

0.3 hr

Yes



C2-PA18-4

Partskeeper cabinet with 4 carry cases

Aluminum

13.63" D x 18.79" W x 25" H

31.2 lbs

0.4 hr

Yes



C4-PA18-8

Partskeeper cabinet with 8 carry cases

Aluminum

13.63" D x 18.79" W x 44.5" H

59.6 lbs

0.5 hr

Yes

VAN STORAGE UNITS – LOCKERS & BOOKSHELVES



C5-PA18-8

Partskeeper cabinet with 8 carry cases and 2 shelves

Aluminum

13.63" D x 18.79" W x 62.5" H

71.6 lbs

0.63 hr

Yes



N4-PS20-8

Partskeeper cabinet with 8 carry cases

Steel

16" D x 19.5" W x 44.5" H

85 lbs

0.5 hr

Yes



N5-PS20-8

Partskeeper cabinet with 8 carry cases & 2 shelves

Steel

16" D x 19.5" W x 62" H

100 lbs

0.5 hr

Yes

LOCKERS & BOOK- SHELVES



N4-LS16-1

Locker with top shelf, universal (Comes with 2 hooks)

Steel

16.5" D x 16" W x 44.5" H

41 lbs

0.5 hr

Yes



N5-LS16-1

Locker with top shelf, universal (Comes with 2 hooks)

Steel

16.5" D x 16" W x 62" H

54 lbs

0.5 hr

Yes

VAN STORAGE UNITS – WORKBENCHES



N4-RA12-3

Bookshelf for low roof vehicles

Aluminum

16" D x 12" W x 44.5" H

26 lbs

1 hr

Yes



N5-RA12-4

Bookshelf for high roof vehicles

Aluminum

16" D x 12" W x 62" H

34 lbs

1.5 hrs

Yes



WORK- BENCHES



S2-WA48-0

Workbench, with hardwood top, one end panel, Universal (drawer cabinet not included)

Aluminum

18" D x 48" W x 32" H (To top edge)

48 lbs

0.8 hr

Yes



S2-WA48-1

Workbench, aluminum with hardwood top, 1 shelf tray, Universal

Aluminum

18" D x 48" W x 32" H (To top edge)

65.5 lbs

0.8 hr

Yes

VAN STORAGE UNITS – WORKBENCHES



5067-6 fits the SW-WA48-0
See page 172 for more info

Workbench with hardwood top, one end panel
(Drawer cabinet not included)



Cabinets that fit the S3-WA48-0:
5060-5, 5060-6, 5060-8
See page 171 for more info

Workbench with hardwood top, one end panel
(Drawer cabinet not included)





S3-WA48-0

Workbench, with hardwood top, one end panel, Universal
(drawer cabinet not included)

Aluminum

 18" D x 48" W x 40" H (To top edge)

 49 lbs

 0.8 hr


 Yes





S3-WA48-1

Workbench, aluminum with hardwood top, 1 shelf tray, Universal

Aluminum

 18" D x 48" W x 40" H (To top edge)

 66.3 lbs

 0.8 hr

 Yes



VAN ACCESSORIES

Choose the finishing details to tailor your upfit to your specific needs.



VERSATILE

Removable storage bins ensure organization on the jobsite or on the go.



SECURE

Trade specific accessories with a place for all tools and supplies.



PRODUCTIVE

Stay productive with your most used items well within reach.

VAN ACCESSORIES

| | |
|----------------------------------|--------|
| SAFETY & SECURITY | P. 170 |
| SEAT COVERS | P. 172 |
| REAR STEPS | P. 172 |
| STORAGE & ORGANIZATION | P. 173 |
| WINDOW GRILLS | P. 174 |

Getting the most from your work van is easy when you choose the right van accessories to help you become **more organized and efficient**.

Good truck and van accessories will always pay for themselves by allowing you to maximize your cargo **space and productivity**.

With so many van accessories to choose from, the best way to find which ones work for you is to take some time to **consider your needs**.

All tradesmen work differently, and **every trade has their own basic tools**.

Make a list of all the equipment that you use daily.

With a list in hand, you'll be able to visualize your needs and determine which of the van accessories will be the **most beneficial**.

SAFETY & SECURITY



6050
Flettner vent, rotary design
(4" H above and 1.4" H below)

| Plastic | |
|---------|-----------------|
| □ | 8.9" D x 5.4" H |
| ⚖ | 1.5 lbs |
| 🕒 | 1 hr |
| 🔒 | Yes |



6060-BK
Touch-up paint for steel
shelving – black

| Other | |
|-------|----------------------|
| □ | 2.5" diameter x 8" H |
| ⚖ | .5 lb |
| 🕒 | – |
| 🔒 | No |



6082
Triangle kit with aluminum
holder

| Other | |
|-------|--------|
| □ | – |
| ⚖ | 14 lbs |
| 🕒 | 0.2 hr |
| 🔒 | Yes |



6090
Back up alarm, die cast housing,
fully encapsulated circuitry

| Other | |
|-------|------|
| □ | – |
| ⚖ | 1 lb |
| 🕒 | 1 hr |
| 🔒 | No |

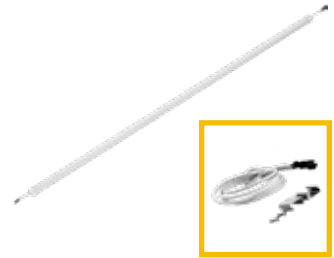


6091
Surface mount tie down
ring, zinc plated

| Steel | |
|-------|--------|
| □ | 4" D |
| ⚖ | 0.4 lb |
| 🕒 | 0.2 hr |
| 🔒 | No |

LED LIGHTING

keeps the cargo space bright,
making it easy to find your
tools, no matter what time of
day or night. It also eliminates
any chance of receiving cuts
and bruises when searching
through your tools in the dark.



6092-42
Universal LED light kit for trucks
and vans (12V DC / 1200 Lm / 10W)

| Other | |
|-------|--------------|
| □ | 42" L x 1" H |
| ⚖ | 0.5 lb |
| 🕒 | 0.5 hr |
| 🔒 | Yes |

GRAB HANDLES

are designed to provide you
with easier access into your
van. Whether installed in a
high roof or low roof work
van, it is always useful to
have something to hold
onto. It can also be used
to tie down additional cargo
for safe transportation.



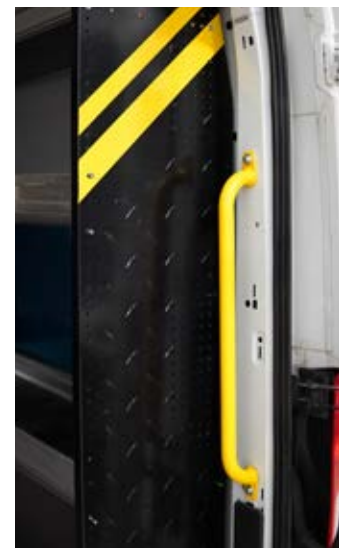
6093
Grab handle

| Plastic | |
|---------|--------|
| □ | 9.5" H |
| ⚖ | 0.1 lb |
| 🕒 | 0.5 hr |
| 🔒 | Yes |



6093-27
Large grab handle

| Steel | |
|-------|-------------------------|
| □ | 1.8" W x 30" H x 3.5" D |
| ⚖ | 2.5 lbs |
| 🕒 | 0.25 hr |
| 🔒 | Yes |





6095

Black nylon strap, plastic buckle

Other

2" W x 28" H

0.18 lb

0.01 hr

No



6096

Black nylon strap, chrome plated buckle

Other

1" W x 36" H

0.12 lb

0.01 hr

Yes



6097

Black nylon strap, chrome plated buckle

Other

1" W x 48" H

0.13 lb

0.01 hr

No



6098

Black nylon strap, chrome plated buckle

Other

1" W x 72" H

0.16 lb

0.01 hr

No



62-U6205

Inner plastic bin for partskeeper case – small

Plastic

3.7" H x 4" W x 4" D

0.1 lb

–

No



62-U6210

Inner plastic bin for partskeeper case – medium

Plastic

3.7" H x 8" W x 4" D

0.2 lb

–

No



See page 180, in Storage Units section.

STAY SAFE WITH RANGER DESIGN'S COMMERCIAL VEHICLE EQUIPMENT.

VAN ACCESSORIES – REAR STEPS

SEAT COVERS

Protect your vehicle seats with a tight custom fit. The water & stain resistant fabric is machine wash and dryer safe. Installing a set of these, takes only a few minutes and will keep your cab looking clean and new. There is also no interference with factory seat functions including heating, cooling or airbag deployment.



SPECIFICATIONS

for 1 set of bucket seat covers

| | | |
|-------|--------|-----|
| 4 lbs | 0.5 hr | Yes |
|-------|--------|-----|

*We do not offer seat covers for bench seats

| | PART # |
|---|---------|
| CHEVROLET CITY EXPRESS | 6251 |
| CHEVROLET EXPRESS | 6252 |
| FORD TRANSIT | 6255 |
| FORD TRANSIT CONNECT | 6256 |
| GMC SAVANA | 6252 |
| MERCEDES-BENZ METRIS | 6258 |
| MERCEDES-BENZ SPRINTER 2019 FITS 2019 MERCEDES SPRINTER EXCLUDING THE 2019 LUXURY SEATS | 6257-19 |
| RAM PROMASTER | 6254 |
| RAM PROMASTER CITY | 6253 |

REAR STEPS

Climbing in and out of your van several times a day can put a strain on your legs and back, especially when carrying heavy items at the same time. Rear steps give tradesmen quick and easy access to their cargo space. The steps also provide a rugged grip in the winter, so there is no fear of slipping when getting in or out.



6054

Hitch Step, with hitch pin to fit a 2" x 2" hitch

Aluminum

6" D x 12" W

4 lbs

–

No

6550-DS

Max Step for the Mercedes-Benz Sprinter

Steel

21" D x 56.5" W x 12.25" H

36 lbs

0.75 hr

Yes

6550-FT

Max Step for the Ford Transit

Steel

32" D x 56.5" W x 11.4" H

48 lbs

0.75 hr

Yes

6550-RP

Max Step for the Ram ProMaster

Steel

14.85" D x 56.5" W x 10.6" H

22 lbs

0.75 hr

Yes

STORAGE & ORGANIZATION

PAPER HOLDERS

Keep your paperwork and files all together and in a safe place where they won't get ripped or crumpled.



6061

Paper Holder, extra deep, 2 slots

Aluminum

3.75" D x 12.75" W x 12" H

2 lbs

0.2 hr

Yes



6063

Paper Holder, extra deep, 5 slots

Aluminum

3.75" D x 12.75" W x 24" H

7 lbs

0.2 hr

Yes



6066

2 Pocket Holder, with 8 plastic bins

Aluminum

4.5" D x 20" W x 21.75" H

7.5 lbs

0.2 hr

Yes



6067

Paper Holder, regular depth, 2 slots

Aluminum

2.25" D x 12.75" W x 12" H

3 lbs

0.2 hr

No



6069

Paper Holder, regular depth, 5 slots

Aluminum

2.25" D x 12.75" W x 24" H

7 lbs

0.2 hr

Yes



Y31-A

Paper Holder, extra deep, 3 slots

Steel

3.75" D x 12.75" W x 16" H

8.6 lbs

0.2 hr

Yes

CARGO HOLDERS

Keep frequently used items such as hats, cans and vises within easy reach and safely stowed while on the road.



6052

Vise Holder with an 8"x8" mounting plate

Steel

-

37 lbs

0.5 hr

No



6056

3 in 1 Personal Protective Equipment Storage System

Aluminum

4.25" D x 115.25" W x 10" H

2.7 lbs

0.20 hr

No



6057

Can Holder

Aluminum

3" D x 8.5" W x 3" H

1 lb

0.2 hr

Yes

VAN ACCESSORIES – STORAGE & ORGANIZATION



6068

Hard Hat Holder, painted wire

Steel

| | |
|--|--------|
| | – |
| | 0.5 lb |
| | 0.2 hr |
| | No |



6081-22

Traffic cone holder for cargo vehicles

Steel

| | |
|--|---------------------|
| | 8" D x 7" W x 22" H |
| | 3 lbs |
| | 0.20 hr |
| | No |



7124

Reel Holder with two 5/8" diameter rods

Aluminum

| | |
|--|-------------------------|
| | 7.25" D x 15" W x 24" H |
| | 11 lbs |
| | 0.5 hr |
| | Yes |



6070

6" Hook, 3" opening, painted

Steel

| | |
|--|--------|
| | 3" D |
| | 2 lbs |
| | 0.2 hr |
| | Yes |



6071

Triple 6" Hook, 3" opening, painted

Steel

| | |
|--|---------|
| | 3.45" D |
| | 1.2 lbs |
| | 0.2 hr |
| | Yes |



6072

8" Swivel Hook, 4" opening, painted

Steel

| | |
|--|--------|
| | 4" D |
| | 3 lbs |
| | 0.2 hr |
| | Yes |



6073

Large aluminum movable Hook, 6.5" opening

Aluminum

| | |
|--|-------------------------|
| | 6.5" D x 2.75" W x 4" H |
| | 1 lb |
| | 0.01 hr |
| | Yes |



Y30-C

Coat Hook, 1" opening, chrome plated

Steel

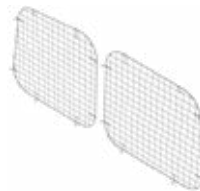
| | |
|--|--------|
| | 1" D |
| | 0.5 lb |
| | 0.2 hr |
| | Yes |

ACCESSORIES

WINDOW GRILLS

WIRE GRILLS

Protect your van against theft and prevent damage to the van during loading or unloading, with Ranger Design's window grills.

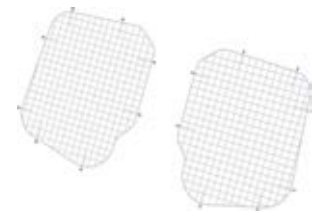


6106

Chevrolet Express & GMC Savana
Set of 2 rear window grills

Steel

| | |
|--|---------------|
| | Standard Roof |
| | 7.1 lbs |
| | 0.2 hr |
| | Yes |



6107-19

Mercedes-Benz Sprinter
Set of 2 rear window grills designed for the MY 2019 and newer

Steel

| | |
|--|----------------------|
| | Standard / High Roof |
| | 8 lbs |
| | 0.2 hr |
| | Yes |

VAN ACCESSORIES – WINDOW GRILLS



6111

Chevrolet Express & GMC Savana
Set of 2 side window grills

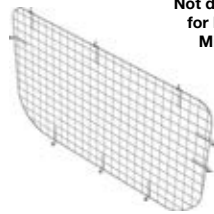
Steel

Standard Roof

8 lbs

0.2 hr

Yes



Not designed
for Ejection
Mitigation

6117

Mercedes-Benz Sprinter
Window grill, passenger
side sliding door

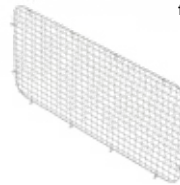
Steel

Standard / High Roof

8 lbs

0.2 hr

Yes



Not designed
for Ejection
Mitigation

6118

Ram ProMaster
Window grill, passenger side sliding
door (does not fit the 118" wheelbase)

Steel

High Roof

8 lbs

0.2 hr

Yes



6119

Ram ProMaster
Set of 2 rear window grills

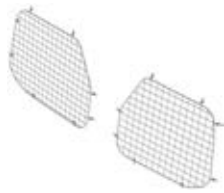
Steel

High Roof

11 lbs

0.2 hr

Yes



6120

Ford Transit
Set of 2 rear window grills

Steel

Low Roof

8 lbs

0.2 hr

Yes



6121

Ford Transit
Set of 2 rear window grills

Steel

Medium / High Roof

8 lbs

0.2 hr

Yes



Not designed
for Ejection
Mitigation

6122

Ford Transit
Window grill, passenger
side sliding door

Steel

Low Roof

8 lbs

0.2 hr

Yes



Not designed
for Ejection
Mitigation

6123

Ford Transit
Window grill, passenger
side sliding door

Steel

Medium / High Roof

8 lbs

0.2 hr

Yes



6124

Ford Transit Connect
Set of 2 rear window grills

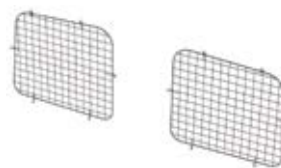
Steel

Standard Roof

8 lbs

0.2 hr

Yes



6126

Mercedes-Benz Metris
Set of 2 rear window grills

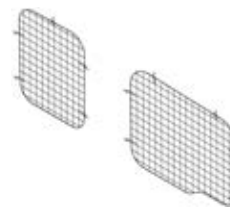
Steel

Standard Roof

5 lbs

0.2 hr

Yes



6134

Ram ProMaster City
Set of 2 rear window grills

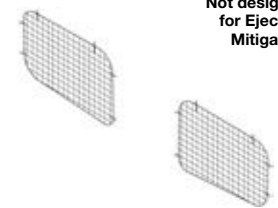
Steel

Standard Roof

8 lbs

0.2 hr

Yes



Not designed
for Ejection
Mitigation

6135

Ram ProMaster City
Set of 2 sliding door
window grills

Steel

Standard Roof

8 lbs

0.2 hr

Yes



VAN ROOF RACKS

Ergonomic Ladder Racks make loading and unloading easier.



TOUGH
Military grade components ensure no corrosion over the lifetime of the rack.



QUIET
Aerodynamic design with minimal wind noise.



SAFE
No metal contact to ladder, leading to longer life of ladders with less chance of fiberglass splinters.

VAN ROOF RACKS

CARGO RACK

CARGO P. 182
CARGO+ P. 180

CLAMP RACK

COMBINATION RACK P. 184
DOUBLE CLAMP RACK P. 186

INTERIOR RACK P. 179

LADDER RACK ACCESSORIES P. 185

MAX RACK

MAX RACK LOW ROOF P. 188
MAX RACK HIGH ROOF P. 190

ACCESS STOW P. 194

NOMENCLATURE P. 178

SUB-UNIT GUIDE P. 196

Ranger Design ladder racks make loading and unloading ladders an easy operation. Ranger Design offers drop-down ladder racks, extra tough racks capable of carrying 32' ladders on compact vans, interior ladder carriers and many other options for different applications.

Please take note that all our ladder racks are powder-coated white except for the Cargo+.

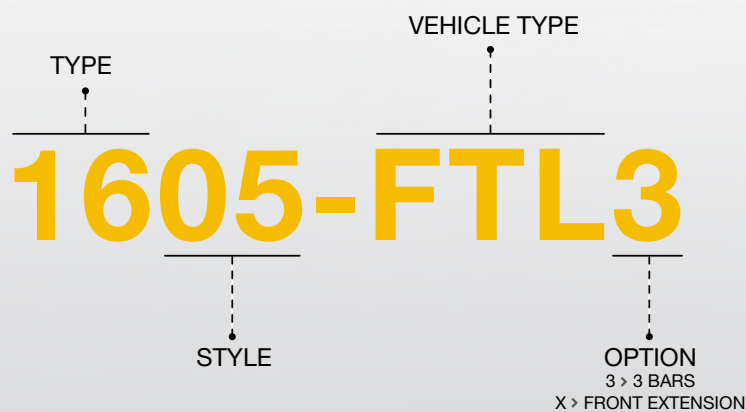
N.B. Models may vary to those shown. Please visit our website for all images.

BEFORE YOU START, ASK YOURSELF

- › What ladders will I be carrying?
- › How often will I be accessing the ladder?



NOMENCLATURE



STYLES

| | |
|-------------|---------------------------|
| 1050 | Interior Rack |
| 1506 | Cargo+ Rack |
| 1605 | Cargo Rack |
| 1625 | Combination Clamp Rack |
| 1630 | Double Clamp Rack |
| 1840 | Single Max Rack Low Roof |
| 1850 | Double Max Rack Low Roof |
| 1870 | Single Max Rack High Roof |
| 1880 | Double Max Rack High Roof |
| 1920 | Single Access Stow |
| 1930 | Double Access Stow |

The weight capacity varies according to each vehicle's capabilities. Please consult your vehicle's manual for weight capacity.

1050 SERIES

INTERIOR RACK

DESIGNED FOR FULL SIZE VANS

SAFE

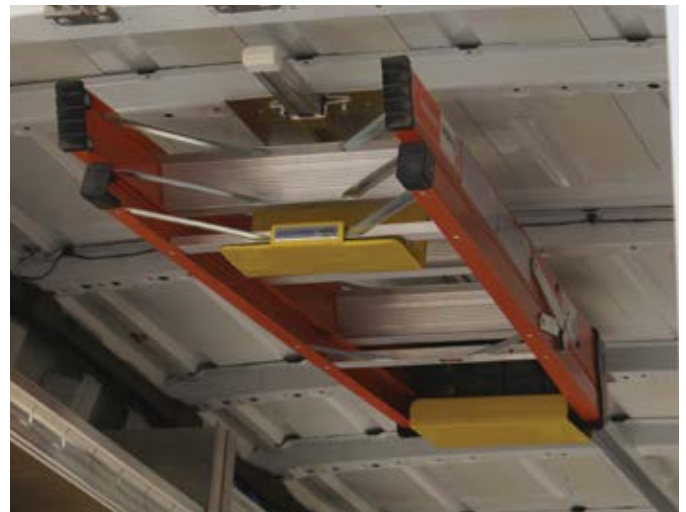
- > Convenient and secure storage for your smaller ladders

TOUGH

- > Military grade aluminum and stainless steel components

SIMPLE

- > Fits all vans



Access Pro, Inside Ladder Carrier

Aluminum

| PART |  |  |  |  |  |
|---------|---|---|---|---|---|
| 1050-FS | All | All | 10" W x 96" L x 7.5" H | 9 lbs | 1 hr |

VAN ROOF RACKS

VAN ROOF RACKS – CARGO +

1506 SERIES

CARGO +

DESIGNED FOR ALL SIZE VANS



CARGO + FEATURES AND BENEFITS

The Rear Roller is constructed from tough and hard wearing stainless steel and attaches easily to the roof rack using our “Anti-Rattle” composite connectors.



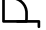

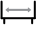


The **Cargo+** features T-Track technology which enables quick and easy drill free installs.



The **Cargo+** is the perfect tool for transporting ladders, building materials, pipes and scaffolding.

The **Cargo+** cross bars have been specifically designed to reduce wind noise and drag. The Rear Roller as part of the package of the **Cargo+** is not just a great looking addition to your vehicle, it is also an extra helping hand at the end of a busy day.

MAKE THE BEST USE OF ALL THE SPACE YOU HAVE AVAILABLE ON YOUR VEHICLES!

| Aluminum | | | | | | | | |
|----------|------------------------|---|---|---|---|---|---|---|
| PART | VEHICLE |  |  |  |  |  |  |  |
| 1506-FTL | FORD TRANSIT | 148" | L / M | 68" W × 150" L × 10" H | 220 lbs | 65" | 109 lbs | 2 hrs |
| 1506-FTR | FORD TRANSIT | 130" | L / M | 68" W × 134" L × 10" H | 220 lbs | 65" | 93 lbs | 2 hrs |
| 1506-FTX | FORD TRANSIT | 148" Ext | High | 65" W × 157" L × 7" H | 220 lbs | 65" | 111 lbs | 2 hrs |
| 1506-TC | FORD TRANSIT CONNECT | 120" | Standard | 54" W × 103" L × 10" H | 100 lbs | 51" | 65 lbs | 2 hrs |
| 1506-GS | GM SAVANA / EXPRESS | Reg | Standard | 68" W × 149" L × 7" H | 220 lbs | 65" | 105 lbs | 2 hrs |
| 1506-MM | MERCEDES-BENZ METRIS | 126" | Standard | 60" W × 126" L × 10" H | 220 lbs | 57" | 89 lbs | 2 hrs |
| 1506-M | MERCEDES-BENZ METRIS | 135" | Standard | 60" W × 133" L × 7" H | 220 lbs | 57" | 92 lbs | 2 hrs |
| 1506-DS | MERCEDES-BENZ SPRINTER | 144" | Standard | 68" W × 134" L × 9" H | 220 lbs | 65" | 100 lbs | 2 hrs |
| 1506-DH | MERCEDES-BENZ SPRINTER | 170", 170" Ext | High | 68" W × 157" L × 7" H | 220 lbs | 65" | 113 lbs | 2 hrs |
| 1506-PHS | RAM PROMASTER | 118" | Standard | 68" W × 126" L × 10" H | 220 lbs | 65" | 94 lbs | 2 hrs |
| 1506-PHM | RAM PROMASTER | 136" | L / H | 68" W × 133" L × 10" H | 220 lbs | 65" | 97 lbs | 2 hrs |
| 1506-PHL | RAM PROMASTER | 159" | M / H | 68" W × 149" L × 7" H | 220 lbs | 65" | 104 lbs | 2 hrs |
| 1506-PHX | RAM PROMASTER | 159" Ext | High | 68" W × 157" L × 7" H | 220 lbs | 65" | 107 lbs | 2 hrs |
| 1506-PC | RAM PROMASTER CITY | 122" | Standard | 54" W × 103" L × 6" H | 100 lbs | 51" | 68 lbs | 2 hrs |



SEE PAGE 212 FOR SUB-UNIT

VAN ROOF RACKS – CARGO RACK

1605 SERIES

CARGO RACK

DESIGNED FOR ALL SIZE VANS









1605-FTL SHOWN HERE.

Individual models may vary to accommodate each vehicle and may be different.

Cargo rack – 2 bar

Aluminum

| PART | VEHICLE |  |  |  |  |  |  |
|----------|------------------------|---|---|---|---|---|---|
| 1605-GS | CHEVROLET EXPRESS | 135", 155" | Standard | 73.5" W × 65" L × 13" H | 480 lbs | 27 lbs | 0.8 hr |
| 1605-FTL | FORD TRANSIT | 148", 148" Ext | L / M / H | 73.5" W × 97" L × 12" H | 480 lbs | 34 lbs | 1.1 hrs |
| 1605-FTR | FORD TRANSIT | 130" | L / M | 73.5" W × 84" L × 12" H | 480 lbs | 32 lbs | 1.1 hrs |
| 1605-TC | FORD TRANSIT CONNECT | 105", 120" | Standard | 61.5" W × 70.5" L × 12.5" H | 480 lbs | 28 lbs | 1.1 hrs |
| 1605-GS | GMC SAVANA | 135", 155" | Standard | 73.5" W × 65" L × 13" H | 480 lbs | 27 lbs | 0.8 hr |
| 1605-MM | MERCEDES-BENZ METRIS | 126", 135" | Standard | 67.5" W × 86.5" L × 12.5" H | 480 lbs | 31 lbs | 1.1 hrs |
| 1605-DH | MERCEDES-BENZ SPRINTER | 144", 170", 170" Ext | Standard, High | 73.5" W × 110" L × 12" H | 480 lbs | 36 lbs | 1.1 hrs |
| 1605-PHS | RAM PROMASTER | 118" | Standard | 73.5" W × 88.5" L × 12" H | 480 lbs | 33 lbs | 1.1 hrs |
| 1605-PHM | RAM PROMASTER | 136" | Standard, High | 73.5" W × 106" L × 12" H | 480 lbs | 35 lbs | 1.1 hrs |
| 1605-PHL | RAM PROMASTER | 159" | High | 73.5" W × 133.5" L × 12" H | 480 lbs | 38 lbs | 1.1 hrs |
| 1605-PHX | RAM PROMASTER | 159" Ext | High | 73.5" W × 147.5" L × 12" H | 480 lbs | 39 lbs | 1.1 hrs |
| 1605-PC | RAM PROMASTER CITY | 122" | Standard | 67.5" W × 79" L × 12.5" H | 480 lbs | 30 lbs | 1.1 hrs |

VAN ROOF RACKS – CARGO RACK

TOUGH

- › Military grade aluminum and stainless steel components.
- › No corrosion over the lifetime of the rack.

QUIET

- › Aerodynamic crossbars reduce wind noise and drag.

SIMPLE







- › Economical solution for additional cargo and ladder transportation



1605-MM3 SHOWN HERE

Individual models may vary to accommodate each vehicle and may be different.

Cargo rack – 3 bar

| Aluminum | | | | | | | |
|-----------|------------------------|---|---|---|---|---|---|
| PART | VEHICLE |  |  |  |  |  |  |
| 1605-GS3 | CHEVROLET EXPRESS | 135", 155" | Standard | 73.5" W × 65" L × 13" H | 720 lbs | 40 lbs | 1.1 hrs |
| 1605-FTL3 | FORD TRANSIT | 148", 148" Ext | L / M / H | 73.5" W × 97" L × 12" H | 720 lbs | 45 lbs | 1.4 hrs |
| 1605-FTR3 | FORD TRANSIT | 130" | L / M | 73.5" W × 84" L × 12" H | 720 lbs | 43 lbs | 1.4 hrs |
| 1605-TC3 | FORD TRANSIT CONNECT | 105", 120" | Standard | 61.5" W × 70.5" L × 12.5" H | 720 lbs | 38 lbs | 1.4 hrs |
| 1605-GS3 | GMC SAVANA | 135", 155" | Standard | 73.5" W × 65" L × 13" H | 720 lbs | 40 lbs | 1.1 hrs |
| 1605-MM3 | MERCEDES-BENZ METRIS | 126", 135" | Standard | 67.5" W × 86.5" L × 12.5" H | 720 lbs | 41 lbs | 1.4 hrs |
| 1605-DH3 | MERCEDES-BENZ SPRINTER | 144", 170", 170" Ext | Standard, High | 73.5" W × 110" L × 12" H | 720 lbs | 47 lbs | 1.4 hrs |
| 1605-PHS3 | RAM PROMASTER | 118" | Standard | 73.5" W × 88.5" L × 12" H | 720 lbs | 44 lbs | 1.4 hrs |
| 1605-PHM3 | RAM PROMASTER | 136" | Standard, High | 73.5" W × 106" L × 12" H | 720 lbs | 46 lbs | 1.4 hrs |
| 1605-PHL3 | RAM PROMASTER | 159" | High | 73.5" W × 133.5" L × 12" H | 720 lbs | 49 lbs | 1.4 hrs |
| 1605-PHX3 | RAM PROMASTER | 159" Ext | High | 73.5" W × 147.5" L × 12" H | 720 lbs | 50 lbs | 1.4 hrs |
| 1605-PC3 | RAM PROMASTER CITY | 122" | Standard | 67.5" W × 79" L × 12.5" H | 720 lbs | 40 lbs | 1.4 hrs |

The number 3 refers to the number of bars.

SEE PAGE 212 FOR SUB-UNIT

VAN ROOF RACKS – COMBINATION RACK

1625 SERIES

COMBINATION RACK

DESIGNED FOR ALL SIZE VANS










1625-FTR SHOWN HERE

Individual models may vary to accommodate each vehicle and may be different.

Combination Rack – 2 bar

Aluminum

| PART | VEHICLE |  |  |  |  |  |  |  |
|----------|------------------------|---|---|---|---|---|---|---|
| 1625-GS | CHEVROLET EXPRESS | 135", 155" | Standard | 78.5" W × 101" L × 17" H | 480 lbs | 56 lbs | 32 ft | 1.2 hrs |
| 1625-FTL | FORD TRANSIT | 148", 148" Ext | L / M / H | 78.5" W × 102" L × 15.5" H | 480 lbs | 63 lbs | 32 ft | 1.5 hrs |
| 1625-FTR | FORD TRANSIT | 130" | L / M | 78.5" W × 101" L × 15.5" H | 480 lbs | 61 lbs | 32 ft | 1.5 hrs |
| 1625-TC | FORD TRANSIT CONNECT | 105", 120" | Standard | 66.5" W × 82.5" L × 16.5" H | 480 lbs | 57 lbs | 24 ft | 1.5 hrs |
| 1625-GS | GMC SAVANA | 135", 155" | Standard | 78.5" W × 101" L × 17" H | 480 lbs | 56 lbs | 32 ft | 1.2 hrs |
| 1625-MM | MERCEDES-BENZ METRIS | 126", 135" | Standard | 72.5" W × 100.5" L × 16.5" H | 480 lbs | 60 lbs | 28 ft | 1.5 hrs |
| 1625-DH | MERCEDES-BENZ SPRINTER | 144", 170", 170" Ext | Standard, High | 78.5" W × 100" L × 16" H | 480 lbs | 65 lbs | 32 ft | 1.5 hrs |
| 1625-PHS | RAM PROMASTER | 118" | Standard | 78.5" W × 100.5" L × 16" H | 480 lbs | 62 lbs | 28 ft | 1.5 hrs |
| 1625-PHM | RAM PROMASTER | 136" | Standard, High | 78.5" W × 106" L × 16" H | 480 lbs | 64 lbs | 32 ft | 1.5 hrs |
| 1625-PHL | RAM PROMASTER | 159" | High | 78.5" W × 133.5" L × 16" H | 480 lbs | 67 lbs | 32 ft | 1.5 hrs |
| 1625-PHX | RAM PROMASTER | 159" Ext | High | 78.5" W × 147.5" L × 16" H | 480 lbs | 69 lbs | 32 ft | 1.5 hrs |
| 1625-PC | RAM PROMASTER CITY | 122" | Standard | 72.5" W × 85" L × 16.5" H | 480 lbs | 59 lbs | 24 ft | 1.5 hrs |

LADDER RACK ACCESSORIES

DESIGNED FOR ALL SIZE VANS

STEP LADDER KIT

Comes with nylon strap and a step lock

- This accessory will fit on any single side ladder rack, except the Cargo +
- You can install one step ladder from 3' to 8'.



16-U1127

Step Ladder Kit

Aluminum

| |
|-----------------------|
| All |
| All |
| 24" W x 96" L x 11" H |
| 18 lbs |
| 0.5 hr |

16-U0015

Pair of 2-part brackets to connect the 16-U0010 Ratchet Tie Down Strap to the Cargo+ Rack.

Aluminum

| |
|----------------------------|
| 3.85" D x 2.5" W x 3.85" H |
| 1 lb |
| 0.1 hr |
| Yes |

16-U0010

Set of 2 Ratchet Straps, designed for our Cargo Rack

Steel

| |
|----------------------------|
| 2.57" D x 2.79" W x 6.2" H |
| 3 lbs |
| 0.1 hr |
| Yes |

16-U0500

Roof Rack Rear Roller Bar, designed for Cargo Racks, single-side Max Rack LR / Max Rack and Clamp Racks only

Aluminum

| |
|------------------------|
| 28" D x 65" W x 6.2" H |
| 10 lbs |
| 0.5 hr |
| Yes |



16-U1130

Elevated strobe mount

Aluminum

| |
|--------|
| 8" W |
| 1 lb |
| 0.1 hr |
| No |



16-U1135

Safe Clamp Ladder Clamping System (Set of 2)

Plastic

| |
|-------------------------------|
| 4.67" D x 17.92" W x 16.83" H |
| 5.1 lbs |
| 0.1 hr |
| No |

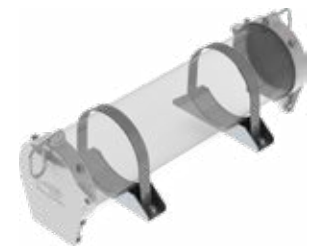


16-U6078

Cradle & strap kit for 6" dia. transport tube (one cradle and one strap)

Aluminum

| |
|--------|
| 6" D |
| 1 lb |
| 0.1 hr |
| Yes |



16-U6079

Transport tube door kit complete (6" dia./schedule 40 PVC tube not incl.)

Aluminum

| |
|--------|
| 6" D |
| 8 lbs |
| 0.8 hr |
| Yes |

VAN ROOF RACKS – CLAMP RACK

1630 SERIES

DOUBLE CLAMP RACK

DESIGNED FOR ALL SIZE VANS

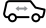
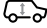
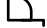






1630-FTR SHOWN HERE

Individual models may vary to accommodate each vehicle and may be different.

Double Clamp Rack

Aluminum

| PART | VEHICLE |  |  |  |  |  |  |  |
|----------|------------------------|---|---|---|---|---|---|---|
| 1630-GS | CHEVROLET EXPRESS | 135", 155" | Standard | 84.5" W × 94.5" L × 17" H | 480 lbs | 51 lbs | 32 ft | 1.2 hrs |
| 1630-FTL | FORD TRANSIT | 148", 148" Ext | L / M / H | 84.5" W × 97" L × 15.5" H | 480 lbs | 58 lbs | 32 ft | 1.5 hrs |
| 1630-FTR | FORD TRANSIT | 130" | L / M | 84.5" W × 96" L × 15.5" H | 480 lbs | 56 lbs | 32 ft | 1.5 hrs |
| 1630-TC | FORD TRANSIT CONNECT | 105", 120" | Standard | 73" W × 82.5" L × 16.5" H | 480 lbs | 52 lbs | 24 ft | 1.5 hrs |
| 1630-GS | GMC SAVANA | 135", 155" | Standard | 84.5" W × 94.5" L × 17" H | 480 lbs | 51 lbs | 32 ft | 1.2 hrs |
| 1630-MM | MERCEDES-BENZ METRIS | 126", 135" | Standard | 79" W × 96" L × 16.5" H | 480 lbs | 55 lbs | 28 ft | 1.5 hrs |
| 1630-DH | MERCEDES-BENZ SPRINTER | 144", 170", 170" Ext | Standard, High | 84.5" W × 100" L × 16" H | 480 lbs | 60 lbs | 32 ft | 1.5 hrs |
| 1630-PHS | RAM PROMASTER | 118" | Standard | 84.5" W × 97" L × 16" H | 480 lbs | 57 lbs | 28 ft | 1.5 hrs |
| 1630-PHM | RAM PROMASTER | 136" | Standard, High | 84.5" W × 106" L × 16" H | 480 lbs | 59 lbs | 32 ft | 1.5 hrs |
| 1630-PHL | RAM PROMASTER | 159" | High | 84.5" W × 133.5" L × 16" H | 480 lbs | 63 lbs | 32 ft | 1.5 hrs |
| 1630-PHX | RAM PROMASTER | 159" Ext | High | 84.5" W × 147.5" L × 16" H | 480 lbs | 64 lbs | 32 ft | 1.5 hrs |
| 1630-PC | RAM PROMASTER CITY | 122" | Standard | 79" W × 85" L × 16.5" H | 480 lbs | 55 lbs | 24 ft | 1.5 hrs |

VAN ROOF RACKS – CLAMP RACK

TOUGH

- › Military grade aluminum and stainless steel components.
- › No corrosion over the lifetime of the rack.

SAFE

- › No metal contact to ladder, leading to longer life of ladders with less chance of fiberglass splinters.

SIMPLE

- › Clamping mechanism makes securing ladders a simple and easy task.



1630-FTR3 SHOWN HERE

Individual models may vary to accommodate each vehicle and may be different.

Double Clamp Rack – 3 bar

| Aluminum | | | | | | | | |
|-----------|------------------------|-------------------------|----------------|----------------------------|---------|--------|-------|---------|
| PART | VEHICLE | | | | | | | |
| 1630-GS3 | CHEVROLET EXPRESS | 135", 155" | Standard | 84.5" W × 94.5" L × 17" H | 720 lbs | 63 lbs | 32 ft | 1.4 hrs |
| 1630-FTL3 | FORD TRANSIT | 148", 148" Ext | L / M / H | 84.5" W × 97" L × 15.5" H | 720 lbs | 68 lbs | 32 ft | 1.7 hrs |
| 1630-FTR3 | FORD TRANSIT | 130" | L / M | 84.5" W × 96" L × 15.5" H | 720 lbs | 66 lbs | 32 ft | 1.7 hrs |
| 1630-GS3 | GMC SAVANA | 135", 155" | Standard | 84.5" W × 94.5" L × 17" H | 720 lbs | 63 lbs | 32 ft | 1.4 hrs |
| 1630-MM3 | MERCEDES-BENZ METRIS | 126", 135" | Standard | 79" W × 96" L × 16.5" H | 720 lbs | 64 lbs | 28 ft | 1.7 hrs |
| 1630-DH3 | MERCEDES-BENZ SPRINTER | 144", 170", 170" Ext | Standard, High | 84.5" W × 100" L × 16" H | 720 lbs | 70 lbs | 32 ft | 1.7 hrs |
| 1630-PHS3 | RAM PROMASTER | 118" | Standard | 84.5" W × 97" L × 16" H | 720 lbs | 67 lbs | 28 ft | 1.7 hrs |
| 1630-PHM3 | RAM PROMASTER | 136" | Standard, High | 84.5" W × 106" L × 16" H | 720 lbs | 69 lbs | 32 ft | 1.7 hrs |
| 1630-PHL3 | RAM PROMASTER | 159" | High | 84.5" W × 133.5" L × 16" H | 720 lbs | 72 lbs | 32 ft | 1.7 hrs |
| 1630-PHX3 | RAM PROMASTER | 159" Ext | High | 84.5" W × 147.5" L × 16" H | 720 lbs | 73 lbs | 32 ft | 1.7 hrs |

The number 3 refers to the number of bars.

Extended Clamp Rack – 3 bar

| Aluminum | | | | | | | | |
|----------|----------------------|------------|----------|---------------------------|---------|--------|-------|---------|
| PART | VEHICLE | | | | | | | |
| 1630-TCX | FORD TRANSIT CONNECT | 105", 120" | Standard | 73" W × 94.5" L × 16.5" H | 480 lbs | 59 lbs | 28 ft | 1.6 hrs |
| 1630-PCX | RAM PROMASTER CITY | 122" | Standard | 79" W × 97" L × 16.5" H | 480 lbs | 64 lbs | 28 ft | 1.6 hrs |

SEE PAGE 212 FOR SUB-UNIT

VAN ROOF RACKS – MAX RACK

1840 SERIES

MAX RACK LOW ROOF - SINGLE DESIGNED FOR LOW ROOF VANS






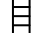



1840-FTL SHOWN HERE

Individual models may vary to accommodate each vehicle and may be different.

Max Rack Low Roof Single Side

Aluminum

| PART | VEHICLE |  |  |  |  |  |  |  |
|----------|----------------------|---|---|---|---|---|---|---|
| 1840-GS | CHEVROLET EXPRESS | 135", 155" | Standard | 76.5" W × 113.5" L × 16.5" H | 480 lbs | 78 lbs | 32 ft | 1.4 hrs |
| 1840-FTL | FORD TRANSIT | 148", 148" Ext | Low | 76.5" W × 120.5" L × 15" H | 480 lbs | 85 lbs | 32 ft | 1.7 hrs |
| 1840-FTR | FORD TRANSIT | 130" | Low | 76.5" W × 113.5" L × 15" H | 480 lbs | 84 lbs | 32 ft | 1.7 hrs |
| 1840-GS | GMC SAVANA | 135", 155" | Standard | 76.5" W × 113.5" L × 16.5" H | 480 lbs | 78 lbs | 32 ft | 1.4 hrs |
| 1840-MM | MERCEDES-BENZ METRIS | 126", 135" | Standard | 70.5" W × 101.5" L × 15.5" H | 480 lbs | 82 lbs | 28 ft | 1.7 hrs |



1850 SERIES

MAX RACK

LOW ROOF - DOUBLE

DESIGNED FOR LOW ROOF VANS



1850-FTR SHOWN HERE

Individual models may vary to accommodate each vehicle and may be different.

Max Rack Low Roof Double Side – 2 Bar

| Aluminum | | | | | | | | |
|----------|----------------------|----------------|----------|------------------------------|---------|---------|-------|---------|
| PART | VEHICLE | | | | | | | |
| 1850-GS | CHEVROLET EXPRESS | 135", 155" | Standard | 80.5" W x 113.5" L x 16.5" H | 480 lbs | 136 lbs | 32 ft | 2.2 hrs |
| 1850-FTL | FORD TRANSIT | 148", 148" Ext | Low | 80.5" W x 120.5" L x 15" H | 480 lbs | 143 lbs | 32 ft | 2.5 hrs |
| 1850-FTR | FORD TRANSIT | 130" | Low | 80.5" W x 113.5" L x 15" H | 480 lbs | 141 lbs | 32 ft | 2.5 hrs |
| 1850-GS | GMC SAVANA | 135", 155" | Standard | 80.5" W x 113.5" L x 16.5" H | 480 lbs | 136 lbs | 32 ft | 2.2 hrs |
| 1850-MM | MERCEDES-BENZ METRIS | 126", 135" | Standard | 75" W x 101.5" L x 15.5" H | 480 lbs | 140 lbs | 28 ft | 2.5 hrs |

Max Rack Low Roof Double Side – 3 Bar

| Aluminum | | | | | | | | |
|-----------|----------------------|----------------|----------|------------------------------|---------|---------|-------|---------|
| PART | VEHICLE | | | | | | | |
| 1850-GS3 | CHEVROLET EXPRESS | 135", 155" | Standard | 80.5" W x 113.5" L x 16.5" H | 720 lbs | 146 lbs | 32 ft | 2.4 hrs |
| 1850-FTL3 | FORD TRANSIT | 148", 148" Ext | Low | 80.5" W x 120.5" L x 15" H | 720 lbs | 151 lbs | 32 ft | 2.7 hrs |
| 1850-FTR3 | FORD TRANSIT | 130" | Low | 80.5" W x 113.5" L x 15" H | 720 lbs | 149 lbs | 32 ft | 2.7 hrs |
| 1850-GS3 | GMC SAVANA | 135", 155" | Standard | 80.5" W x 113.5" L x 16.5" H | 720 lbs | 146 lbs | 32 ft | 2.4 hrs |
| 1850-MM3 | MERCEDES-BENZ METRIS | 126", 135" | Standard | 75" W x 101.5" L x 15.5" H | 720 lbs | 147 lbs | 28 ft | 2.7 hrs |

The number 3 refers to the number of bars.

SEE PAGE 212 FOR SUB-UNIT

VAN ROOF RACKS – MAX RACK

1870 – 1880 SERIES

MAX RACK

DESIGNED FOR HIGH ROOF VANS

Makes loading and unloading ladders an easy operation.



THE EVOLUTION OF OUR DROP DOWN LADDER RACK

TOUGH

- › Military grade aluminum and stainless steel components.
- › No corrosion over the lifetime of the rack.

Only ladder rack with a 3 year warranty

SAFE

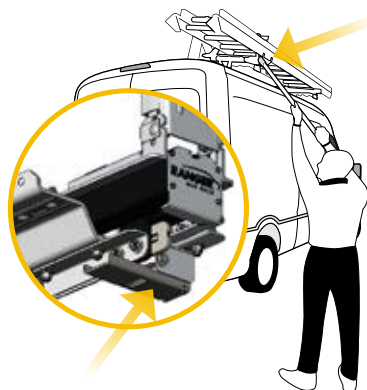
- › Easy access from ground.
- › Lower profile on roof.
- › Each mechanism has a weight capacity of 100 lbs (both single and double).

SIMPLE

- › Single stage operation for fast loading and unloading of ladders on high roof vans.

MAX RACK IS FAST AND EASY TO OPERATE

LOWER LADDER



1

STEP ONE

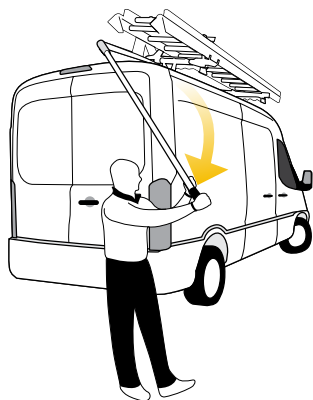
Release the lock before operating the rack.



2

STEP TWO

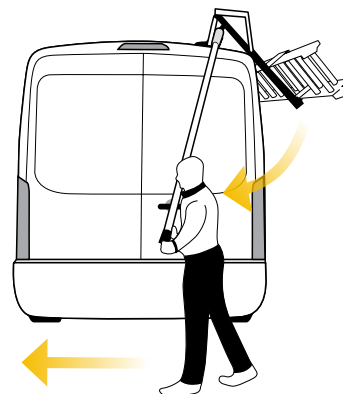
With both hands, insert the handle into the Max Rack and turn to secure.



3

STEP THREE

Pull the handle down towards you.



4

STEP FOUR

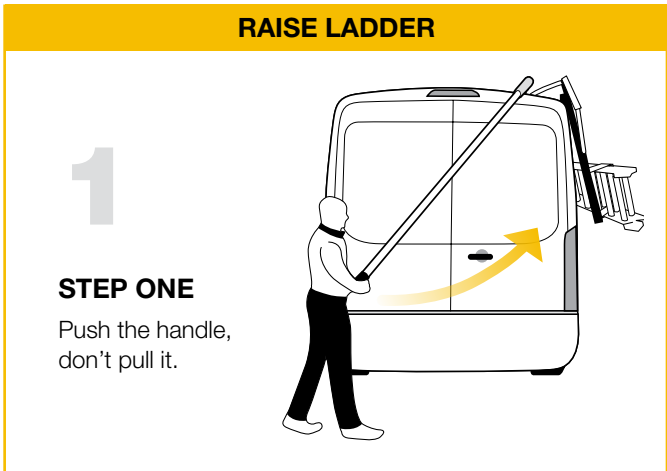
Turn around. Push the handle forward.



5

STEP FIVE

Continue to push the handle until the Max Rack has finished its descent. Do not let go of handle until ladder has fully descended.



1

STEP ONE

Push the handle, don't pull it.

RAISE LADDER

VAN ROOF RACKS – MAX RACK

1870 SINGLE MAX RACK








fast and easy access to an extension or step ladder with extra room for additional cargo.



1870-FTR SHOWN HERE.
Individual models may vary to accommodate each vehicle and may be different.

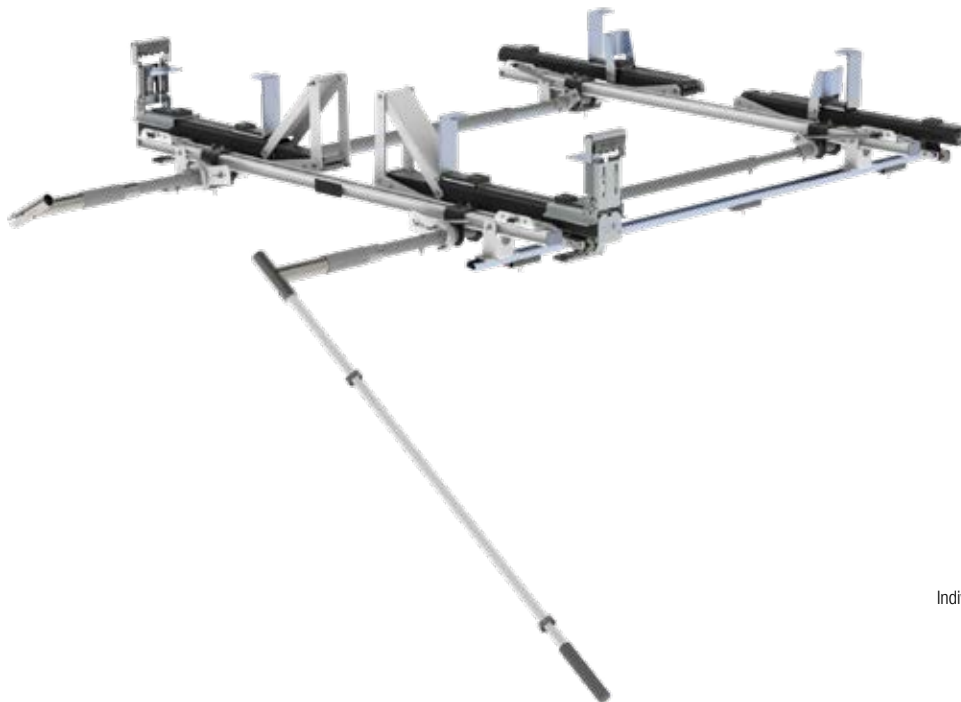
Single Side Max Rack – 2 bar

Aluminum

| PART | VEHICLE |  |  |  |  |  |  |  |
|-----------------|------------------------|---|---|---|---|---|---|---|
| 1870-DH | MERCEDES-BENZ SPRINTER | 144", 170", 170" Ext | Standard, High | 76.5" W x 137.5" L x 17.5" H | 480 lbs | 102 lbs | 32 ft | 2 hrs |
| 1870-FTL | FORD TRANSIT | 148", 148" Ext | Medium, High | 76.5" W x 125.5" L x 17" H | 480 lbs | 100 lbs | 32 ft | 2 hrs |
| 1870-FTR | FORD TRANSIT | 130" | Medium | 76.5" W x 113.5" L x 17" H | 480 lbs | 98 lbs | 28 ft | 2 hrs |
| 1870-PHL | RAM PROMASTER | 159" | High | 76.5" W x 151.5" L x 17" H | 480 lbs | 104 lbs | 32 ft | 2 hrs |
| 1870-PHM | RAM PROMASTER | 136" | Standard, High | 76.5" W x 130" L x 17" H | 480 lbs | 101 lbs | 32 ft | 2 hrs |
| 1870-PHS | RAM PROMASTER | 118" | Standard | 76.5" W x 113.5" L x 17" H | 480 lbs | 99 lbs | 28 ft | 2 hrs |
| 1870-PHX | RAM PROMASTER | 159" Ext. | High | 76.5" W x 162.5" L x 17" H | 480 lbs | 105 lbs | 32 ft | 2 hrs |






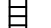

1880 DOUBLE MAX RACK

an ergonomic choice to store two extension or step ladders on a high roof vehicle.






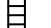



1880-FTR SHOWN HERE.
Individual models may vary to accommodate each vehicle and may be different.

Double Side Max Rack – 2 bar

| Aluminum | | | | | | | | |
|-----------------|------------------------|---|---|---|---|---|---|---|
| PART | VEHICLE |  |  |  |  |  |  |  |
| 1880-DH | MERCEDES-BENZ SPRINTER | 144", 170", 170" Ext | Standard, High | 81" W x 137.5" L x 17.5" H | 480 lbs | 174 lbs | 32 ft | 3 hrs |
| 1880-FTL | FORD TRANSIT | 148", 148" Ext | Medium, High | 81" W x 125.5" L x 17" H | 480 lbs | 172 lbs | 32 ft | 3 hrs |
| 1880-FTR | FORD TRANSIT | 130" | Medium | 81" W x 113.5" L x 17" H | 480 lbs | 170 lbs | 32 ft | 3 hrs |
| 1880-PHL | RAM PROMASTER | 159" | High | 81" W x 151.5" L x 17" H | 480 lbs | 176 lbs | 32 ft | 3 hrs |
| 1880-PHM | RAM PROMASTER | 136" | Standard, High | 81" W x 130" L x 17" H | 480 lbs | 173 lbs | 32 ft | 3 hrs |
| 1880-PHS | RAM PROMASTER | 118" | Standard | 81" W x 113.5" L x 17" H | 480 lbs | 171 lbs | 28 ft | 3 hrs |
| 1880-PHX | RAM PROMASTER | 159" Ext. | High | 81" W x 162.5" L x 17" H | 480 lbs | 177 lbs | 32 ft | 3 hrs |

Double Side Max Rack – 3 bar

| Aluminum | | | | | | | | |
|------------------|------------------------|---|---|---|---|---|---|---|
| PART | VEHICLE |  |  |  |  |  |  |  |
| 1880-DH3 | MERCEDES-BENZ SPRINTER | 144", 170", 170" Ext | Standard, High | 81" W x 137.5" L x 17.5" H | 720 lbs | 182 lbs | 32 ft | 3.2 hrs |
| 1880-FTL3 | FORD TRANSIT | 148", 148" Ext | Medium, High | 81" W x 125.5" L x 17" H | 720 lbs | 180 lbs | 32 ft | 3.2 hrs |
| 1880-FTR3 | FORD TRANSIT | 130" | Medium | 81" W x 113.5" L x 17" H | 720 lbs | 178 lbs | 32 ft | 3.2 hrs |
| 1880-PHL3 | RAM PROMASTER | 159" | High | 81" W x 151.5" L x 17" H | 720 lbs | 184 lbs | 32 ft | 3.2 hrs |
| 1880-PHM3 | RAM PROMASTER | 136" | Standard, High | 81" W x 130" L x 17" H | 720 lbs | 181 lbs | 32 ft | 3.2 hrs |
| 1880-PHS3 | RAM PROMASTER | 118" | Standard | 81" W x 113.5" L x 17" H | 720 lbs | 179 lbs | 28 ft | 3.2 hrs |
| 1880-PHX3 | RAM PROMASTER | 159" Ext. | High | 81" W x 162.5" L x 17" H | 720 lbs | 186 lbs | 32 ft | 3.2 hrs |

The number 3 refers to the number of bars.

VAN ROOF RACKS – DOUBLE CLAMP RACK

1920 SERIES ACCESS STOW DESIGNED FOR HIGH ROOF VANS










1920-FTR SHOWN HERE.

Individual models may vary to accommodate each vehicle and may be different.

Access Stow Single

Aluminum

| PART | VEHICLE |  |  |  |  |  |  |  |
|----------|------------------------|---|---|---|--|---|---|---|
| 1920-FTL | FORD TRANSIT | 148", 148" Ext | Medium, High | 74" W × 127" L × 19.5" H | 720 lbs | 163 lbs | 32 ft | 2.2 hrs |
| 1920-FTR | FORD TRANSIT | 130" | Medium, High | 74" W × 127" L × 19.5" H | 720 lbs | 161 lbs | 32 ft | 2.2 hrs |
| 1920-DH | MERCEDES-BENZ SPRINTER | 144", 170", 170" Ext | Standard, High | 74" W × 128.5" L × 20" H | 720 lbs | 165 lbs | 32 ft | 2.2 hrs |
| 1920-PHS | RAM PROMASTER | 118" | Standard | 74" W × 127" L × 18.5" H | 720 lbs | 162 lbs | 28 ft | 2.2 hrs |
| 1920-PHM | RAM PROMASTER | 136" | Standard, High | 74" W × 127" L × 18.5" H | 720 lbs | 164 lbs | 32 ft | 2.2 hrs |
| 1920-PHL | RAM PROMASTER | 159" | High | 74" W × 147.5" L × 18.5" H | 720 lbs | 168 lbs | 32 ft | 2.2 hrs |
| 1920-PHX | RAM PROMASTER | 159" Ext | High | 74" W × 161" L × 18.5" H | 720 lbs | 169 lbs | 32 ft | 2.2 hrs |

VAN ROOF RACKS – DOUBLE CLAMP RACK

TOUGH

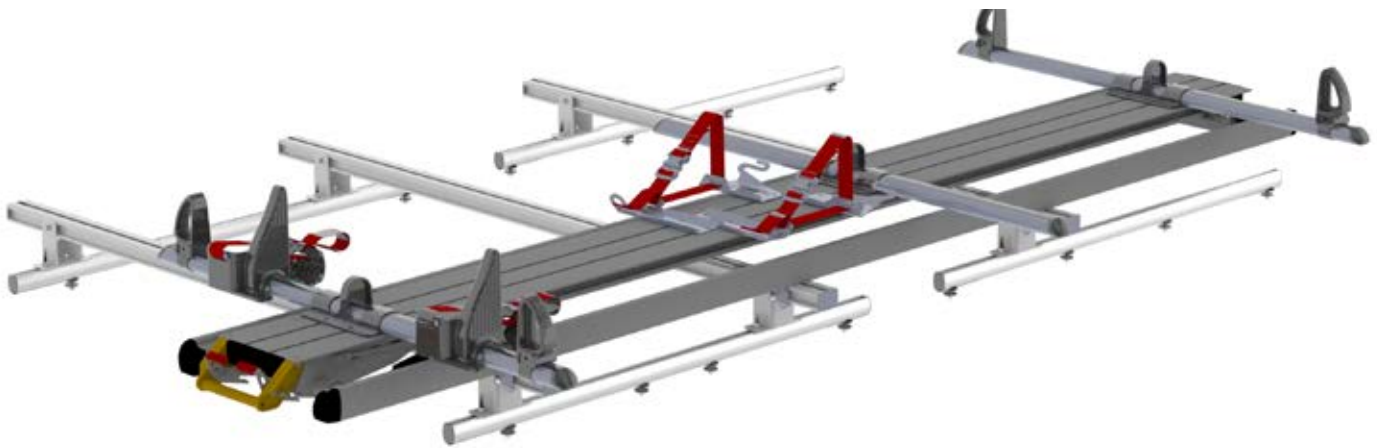
- Built from sturdy aluminum.
- Durable polyester straps keep the ladders secure.

SAFE

- The rack slides down to ground level, eliminating the need to stretch or climb onto the van roof.
- Each mechanism has a weight capacity of 130 lbs (both single and double).

SIMPLE

- The mechanism is designed to make loading and unloading, a quick and easy process.






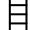



1930-DH SHOWN HERE.

Individual models may vary to accommodate each vehicle and may be different.

Acces Stow Double

Aluminum

| PART | VEHICLE |  |  |  |  |  |  |  |
|----------|------------------------|---|---|---|---|---|---|---|
| 1930-FTL | FORD TRANSIT | 148", 148" Ext | Medium, High | 85" W × 127" L × 19.5" H | 720 lbs | 185 lbs | 32 ft | 2.2 hrs |
| 1930-FTR | FORD TRANSIT | 130" | Medium, High | 85" W × 127" L × 19.5" H | 720 lbs | 184 lbs | 32 ft | 2.2 hrs |
| 1930-DH | MERCEDES-BENZ SPRINTER | 144", 170", 170" Ext | Standard, High | 85" W × 128.5" L × 20" H | 720 lbs | 188 lbs | 32 ft | 2.2 hrs |
| 1930-PHS | RAM PROMASTER | 118" | Standard | 85" W × 127" L × 18.5" H | 720 lbs | 185 lbs | 28 ft | 2.2 hrs |
| 1930-PHM | RAM PROMASTER | 136" | Standard, High | 85" W × 127" L × 18.5" H | 720 lbs | 186 lbs | 32 ft | 2.2 hrs |
| 1930-PHL | RAM PROMASTER | 159" | High | 85" W × 147.5" L × 18.5" H | 720 lbs | 190 lbs | 32 ft | 2.2 hrs |
| 1930-PHX | RAM PROMASTER | 159" Ext | High | 85" W × 161" L × 18.5" H | 720 lbs | 191 lbs | 32 ft | 2.2 hrs |

SEE PAGE 212 FOR SUB-UNIT

1506 SERIES CARGO +

| PART | VEHICLE | SIDE RAILS | BAR | ROLLER | KIT |
|----------|---------------------------------------|------------|----------|----------|----------|
| 1506-FTR | FORD TRANSIT LR 130" | 15-U1002 | 15-U2002 | 15-U3002 | 15-U4006 |
| 1506-FTL | FORD TRANSIT LR, MR, HR 148" | 15-U1003 | 15-U2002 | 15-U3002 | 15-U4005 |
| 1506-FTX | FORD TRANSIT 148" Ext | 15-U1005 | 15-U2002 | 15-U3002 | 15-U4010 |
| 1506-TC | FORD TRANSIT CONNECT 120" | 15-U1000 | 15-U2000 | 15-U3000 | 15-U4000 |
| 1506-GS | GM SAVANA / EXPRESS RWB | 15-U1003 | 15-U2002 | 15-U3002 | 15-U4011 |
| 1506-MM | MERCEDES-BENZ METRIS 126" | 15-U1001 | 15-U2001 | 15-U3001 | 15-U4001 |
| 1506-M | MERCEDES-BENZ METRIS 135" | 15-U1002 | 15-U2001 | 15-U3001 | 15-U4001 |
| 1506-DS | MERCEDES-BENZ SPRINTER 144" | 15-U1002 | 15-U2002 | 15-U3002 | 15-U4002 |
| 1506-DH | MERCEDES-BENZ SPRINTER 170", 170" Ext | 15-U1005 | 15-U2002 | 15-U3002 | 15-U4012 |
| 1506-PHS | RAM PROMASTER 118" | 15-U1001 | 15-U2002 | 15-U3002 | 15-U4004 |
| 1506-PHM | RAM PROMASTER LR 136" | 15-U1002 | 15-U2002 | 15-U3002 | 15-U4004 |
| 1506-PHL | RAM PROMASTER 159" | 15-U1003 | 15-U2002 | 15-U3002 | 15-U4009 |
| 1506-PHX | RAM PROMASTER 159" Ext | 15-U1005 | 15-U2002 | 15-U3002 | 15-U4009 |
| 1506-PC | RAM PROMASTER CITY | 15-U1000 | 15-U2000 | 15-U3000 | 15-U4003 |

1605 SERIES CARGO RACK

| PART | DESCRIPTION |
|----------|---|
| 16-U0005 | Cargo rack kit for 1 crossbar - 2 × End stops, 2 × Tie-Downs & 72" Track Plug |

1630 SERIES CLAMP RACK

| PART | DESCRIPTION |
|----------|---|
| 16-U1127 | Step Laddered Kit |
| 16-UCL65 | Universal side Short Ski and Mechanism Kit |
| 16-UCL77 | Universal side Long Ski and Mechanism Kit |
| 16-UFB03 | 3 rd Bar Fastener Kit for Clamp Rack |



1840 SERIES MAX RACK LOW ROOF

| PART | DESCRIPTION |
|----------|----------------------------------|
| 18-U1820 | Passenger Side Low Roof Max Rack |
| 18-U1825 | Driver Side Low Roof Max Rack |

UNIVERSAL CROSSBAR KIT

| PART | DESCRIPTION |
|----------|--|
| 16-UCD60 | Set of two Crossbars 60" wide, Includes mounting feet |
| 16-UCD66 | Set of two Crossbars 66" wide, Includes mounting feet |
| 16-UCD72 | Set of two Crossbars 72" wide, Includes mounting feet (Replacing 18-U1806) |
| 16-UCDGS | Set of two Crossbars 72" wide, Includes GM Savana mounting feet |
| 16-UCS60 | Single Crossbar 60" with feet |
| 16-UCS66 | Single Crossbar 66" with feet |
| 16-UCS72 | Single Crossbar 72" with feet (Replacing 18-U1805) |
| 16-UCSGS | Single Crossbar 72" with feet for GM SAVANA / EXPRESS |
| 16-UCT60 | Single Crossbar 60" no feet |
| 16-UCT66 | Single Crossbar 66" no feet |

1870 – 1880 SERIES MAX RACK

| PART | DESCRIPTION |
|----------|--------------------------|
| 18-U1810 | Passenger side mechanism |
| 18-U1815 | Driver side mechanism |
| 18-U1807 | Handle |

1920 SERIES ACCES STOW

| PART | DESCRIPTION |
|----------|----------------------------------|
| 19-U0001 | Rear loader single width bracket |
| 19-U0002 | Rear loader double width bracket |
| 19-U0003 | Rear loader mechanism carriage |

UNIVERSAL MOUNTING KIT

| PART | DESCRIPTION |
|----------|---|
| 18-U0010 | Mounting kit NISSAN NV |
| 18-U0018 | Mounting kit MERCEDES-BENZ SPRINTER |
| 18-U0019 | Mounting kit SPRINTER WITH OEM TRACKS |
| 18-U0020 | Mounting kit RAM PROMASTER 118" |
| 18-U0022 | Mounting kit RAM PROMASTER 136" |
| 18-U0030 | Mounting kit FORD TRANSIT 148" |
| 18-U0032 | Mounting kit RAM PROMASTER 159" |
| 18-U0034 | Mounting kit RAM PROMASTER 159" Ext. |
| 18-U0042 | Mounting kit FORD TRANSIT 130" |
| 18-U0043 | Mounting kit MERCEDES-BENZ METRIS |
| 18-U0045 | Mounting kit RAM PROMASTER CITY |
| 18-U0046 | Mounting kit FORD TRANSIT CONNECT/NV200 |
| 18-U0047 | Mounting Kit, Set of 2 Universal Bolt Through foot mounts |

INDEX

| | | | | | | | | | |
|--------------------|-----|---------------------|-----|---------------------|-----|---------------------|-----|--------------------|-----|
| 1050-FS | 179 | 16-UCSGS | 197 | 1630-PCX | 187 | 1870-PHX | 192 | 3020-GS | 38 |
| 1506-DH | 181 | 16-UCT60 | 197 | 1630-PHL | 186 | 1880-DH | 193 | 3020-PC | 38 |
| 1506-DH | 196 | 16-UCT66 | 197 | 1630-PHL3 | 187 | 1880-DH3 | 193 | 3020-RP | 38 |
| 1506-DS | 181 | 16-UFB03 | 196 | 1630-PHM | 186 | 1880-FTL | 193 | 3020-TC | 39 |
| 1506-DS | 196 | 1605-DH | 182 | 1630-PHM3 | 187 | 1880-FTL3 | 193 | 3025-DH | 48 |
| 1506-FTL | 181 | 1605-DH3 | 183 | 1630-PHS | 186 | 1880-FTR | 193 | 3068-DH | 47 |
| 1506-FTL | 196 | 1605-FTL | 182 | 1630-PHS3 | 187 | 1880-FTR3 | 193 | 3068-DL | 47 |
| 1506-FTR | 181 | 1605-FTL3 | 183 | 1630-PHX | 186 | 1880-NH | 193 | 3068-FTH | 48 |
| 1506-FTR | 196 | 1605-FTR | 182 | 1630-PHX3 | 187 | 1880-PHL | 193 | 3068-FTM | 48 |
| 1506-FTX | 181 | 1605-FTR3 | 183 | 1630-TC | 186 | 1880-PHL3 | 193 | 3068-RP | 48 |
| 1506-FTX | 196 | 1605-GS | 182 | 1630-TCX | 187 | 1880-PHM | 193 | 3310-DH | 35 |
| 1506-GS | 181 | 1605-GS3 | 183 | 18-U0010 | 197 | 1880-PHM3 | 193 | 3310-DL | 35 |
| 1506-GS | 196 | 1605-MM | 182 | 18-U0018 | 197 | 1880-PHS | 193 | 3310-FTH | 36 |
| 1506-M | 181 | 1605-MM3 | 183 | 18-U0019 | 197 | 1880-PHS3 | 193 | 3310-FTM | 36 |
| 1506-M | 196 | 1605-PC | 182 | 18-U0020 | 197 | 1880-PHX | 193 | 3310-PC | 36 |
| 1506-MM | 181 | 1605-PC3 | 183 | 18-U0022 | 197 | 1880-PHX3 | 193 | 3310-RP | 36 |
| 1506-MM | 196 | 1605-PHL | 182 | 18-U0030 | 197 | 19-U0001 | 197 | 3320-DH | 36 |
| 1506-PC | 181 | 1605-PHL3 | 183 | 18-U0032 | 197 | 19-U0002 | 197 | 3320-DL | 36 |
| 1506-PC | 196 | 1605-PHM | 182 | 18-U0034 | 197 | 19-U0003 | 197 | 3320-FTH | 37 |
| 1506-PHL | 181 | 1605-PHM3 | 183 | 18-U0042 | 197 | 1920-DH | 194 | 3320-FTL | 34 |
| 1506-PHL | 196 | 1605-PHS | 182 | 18-U0043 | 197 | 1920-FTL | 194 | 3320-FTM | 37 |
| 1506-PHM | 181 | 1605-PHS3 | 183 | 18-U0045 | 197 | 1920-FTR | 194 | 3320-MM | 34 |
| 1506-PHM | 196 | 1605-PHX | 182 | 18-U0046 | 197 | 1920-PHL | 194 | 3320-PC | 34 |
| 1506-PHS | 181 | 1605-PHX3 | 183 | 18-U0047 | 197 | 1920-PHM | 194 | 3320-RP | 37 |
| 1506-PHS | 196 | 1605-TC | 182 | 18-U1807 | 197 | 1920-PHS | 194 | 3320-TC | 34 |
| 1506-PHX | 181 | 1605-TC3 | 183 | 18-U1810 | 197 | 1920-PHX | 194 | 3520-M | 35 |
| 1506-PHX | 196 | 1625-DH | 184 | 18-U1815 | 197 | 1930-DH | 195 | 5010 | 152 |
| 1506-TC | 181 | 1625-FTL | 184 | 18-U1820 | 197 | 1930-FTL | 195 | 5011 | 152 |
| 1506-TC | 196 | 1625-FTR | 184 | 18-U1825 | 197 | 1930-FTR | 195 | 5014 | 153 |
| 16-U0005 | 196 | 1625-GS | 184 | 1840-FTL | 188 | 1930-PHL | 195 | 5020 | 153 |
| 16-U0010 | 185 | 1625-MM | 184 | 1840-FTR | 188 | 1930-PHM | 195 | 5021 | 153 |
| 16-U0015 | 185 | 1625-PC | 184 | 1840-GS | 188 | 1930-PHS | 195 | 5025 | 153 |
| 16-U0500 | 185 | 1625-PHL | 184 | 1840-MM | 188 | 1930-PHX | 195 | 5026 | 153 |
| 16-U1127 | 185 | 1625-PHM | 184 | 1850-FTL | 189 | 3010-DH | 41 | 5028 | 153 |
| 16-U1127 | 196 | 1625-PHS | 184 | 1850-FTL3 | 189 | 3010-DL | 41 | 5029 | 154 |
| 16-U1130 | 185 | 1625-PHX | 184 | 1850-FTR | 189 | 3010-FTH | 41 | 5032-0 | 150 |
| 16-U1135 | 185 | 1625-TC | 184 | 1850-FTR3 | 189 | 3010-FTL | 41 | 5032-1 | 150 |
| 16-U6078 | 185 | 1630-DH | 186 | 1850-GS | 189 | 3010-FTM | 41 | 5032-2 | 150 |
| 16-U6079 | 185 | 1630-DH3 | 187 | 1850-GS3 | 189 | 3010-GS | 42 | 5032-3 | 150 |
| 16-UCD60 | 197 | 1630-FTL | 186 | 1850-MM | 189 | 3010-PC | 42 | 5032-A | 150 |
| 16-UCD66 | 197 | 1630-FTL3 | 187 | 1850-MM3 | 189 | 3010-RP | 42 | 5032-F | 151 |
| 16-UCD72 | 197 | 1630-FTR | 186 | 1870-DH | 192 | 3010-TC | 42 | 5037-0 | 151 |
| 16-UCDGS | 197 | 1630-FTR3 | 187 | 1870-FTL | 192 | 3015-DH | 48 | 5037-1 | 151 |
| 16-UCL65 | 196 | 1630-GS | 186 | 1870-FTR | 192 | 3020-DH | 37 | 5037-2 | 151 |
| 16-UCL77 | 196 | 1630-GS3 | 187 | 1870-NH | 192 | 3020-DL | 37 | 5037-3 | 151 |
| 16-UCS60 | 197 | 1630-MM | 186 | 1870-PHL | 192 | 3020-FTH | 38 | 5037-A | 151 |
| 16-UCS66 | 197 | 1630-MM3 | 187 | 1870-PHM | 192 | 3020-FTL | 38 | 5037-F | 152 |
| 16-UCS72 | 197 | 1630-PC | 186 | 1870-PHS | 192 | 3020-FTM | 38 | 5040 | 160 |

| | | | | |
|-------------------|-------------------|--------------------|--------------------|--------------------|
| 5041. 160 | 6090. 170 | 6257-19. 172 | 84-U2060. 145 | C30-FTM. 46 |
| 5044. 160 | 6091. 170 | 6258. 172 | 84-U2072. 145 | C30-GS. 47 |
| 5045. 160 | 6092-42. 170 | 6540-DR. 25 | BTL-10. 54 | C30-X. 47 |
| 5047. 160 | 6093. 170 | 6540-FCL. 24 | BTL-11. 55 | C4-BA11-3. ... 161 |
| 5048. 154 | 6093-27. 170 | 6540-FCS. 24 | BTL-12. 56 | C4-BA11-4. ... 162 |
| 5049. 154 | 6095. 171 | 6540-GSR. 24 | BTL-16. 58 | C4-BA13-3. ... 162 |
| 5050. 154 | 6096. 171 | 6540-GSR. 25 | BTL-19. 59 | C4-PA18-8. ... 164 |
| 5051. 154 | 6097. 171 | 6540-GSX. 24 | BTL-27. 60 | C5-BA11-5. ... 161 |
| 5052. 154 | 6098. 171 | 6540-GSX. 25 | BTS-10. 54 | C5-BA13-4. ... 161 |
| 5053. 155 | 6106. 174 | 6540-PMC. 25 | BTS-11. 55 | C5-BA13-5. ... 161 |
| 5057. 155 | 6107-19. 174 | 6541-FTL. 27 | BTS-12. 56 | C5-PA18-8. ... 165 |
| 5058. 161 | 6111. 175 | 6541-FTS. 27 | BTS-16. 58 | DHL-10. 105 |
| 5060-5. 155 | 6117. 175 | 6541-FTX. 27 | BTS-19. 59 | DHL-11. 106 |
| 5060-6. 155 | 6118. 175 | 6541-PL. 27 | BTS-27. 60 | DHL-12. 108 |
| 5060-8. 156 | 6119. 175 | 6541-PM. 27 | C10-E. 39 | DHL-16. 109 |
| 5065-8. 156 | 6120. 175 | 6541-PS. 27 | C10-FTL. 39 | DHL-19. 111 |
| 5066-8. 156 | 6121. 175 | 6541-PX. 27 | C10-H. 40 | DHL-27. 112 |
| 5067-6. 156 | 6122. 175 | 6550-DS. 172 | C10-MM. 40 | DHS-10. 103 |
| 5068-3. 157 | 6123. 175 | 6550-FT. 172 | C10-PC. 40 | DHS-11. 106 |
| 5069-2. 157 | 6124. 175 | 6550-FTL. 28 | C10-W. 40 | DHS-12. 107 |
| 6010. 162 | 6126. 175 | 6550-FTS. 28 | C12-E. 42 | DHS-16. 109 |
| 6013-3. 163 | 6134. 175 | 6550-FTX. 28 | C12-FTL. 42 | DHS-19. 110 |
| 6020. 162 | 6135. 175 | 6550-PL. 28 | C12-H. 43 | DHS-27. 112 |
| 6030. 162 | 62-U1110. ... 143 | 6550-PM. 28 | C12-PC. 43 | DLS-10. 103 |
| 6035. 162 | 62-U1112. ... 143 | 6550-PS. 28 | C13-E. 43 | DLS-11. 105 |
| 6040. 163 | 62-U1114. ... 143 | 6550-PX. 28 | C13-MM. 43 | DLS-12. 107 |
| 6041. 163 | 62-U1212. ... 143 | 6550-RP. 172 | C13-PC. 43 | DLS-16. 108 |
| 6049. 163 | 62-U5070. ... 164 | 6555-FTL. 29 | C2-PA18-4. ... 164 | DLS-19. 110 |
| 6050. 170 | 62-U5074. ... 164 | 6555-FTS. 29 | C20-DH. 44 | DLS-27. 111 |
| 6052. 173 | 62-U5079. ... 164 | 6555-FTX. 29 | C20-DL. 44 | F4-RA30-2. ... 146 |
| 6054. 172 | 62-U6205. ... 171 | 6555-PL. 29 | C20-FTH. 44 | F4-RA36-2. ... 146 |
| 6056. 173 | 62-U6210. ... 171 | 6555-PM. 29 | C20-FTL. 44 | F4-RA48-2. ... 146 |
| 6057. 173 | 62-UDH10. ... 142 | 6555-PS. 29 | C20-FTM. 45 | F4-RA60-2. ... 146 |
| 6060-BK. 170 | 62-UDH12. ... 142 | 6555-PX. 29 | C20-GS. 45 | F4-RA72-2. ... 146 |
| 6061. 173 | 62-UDH14. ... 142 | 70-U7740. 143 | C20-NH. 45 | F5-RA36-2. ... 147 |
| 6063. 173 | 62-UDH16. ... 142 | 7124. 174 | C20-NL. 45 | F5-RA36-3. ... 147 |
| 6066. 173 | 62-UDH18. ... 142 | 77-U1036. 141 | C20-X. 45 | F5-RA48-2. ... 147 |
| 6067. 173 | 62-UDR10. ... 142 | 77-U1048. 141 | C24-DH. 49 | F5-RA48-3. ... 147 |
| 6068. 174 | 62-UDR12. ... 142 | 77-U1060. 141 | C24-DL. 49 | F5-RA60-2. ... 147 |
| 6069. 173 | 62-UDR14. ... 142 | 84-U0048. 145 | C24-FTH. 50 | F5-RA60-3. ... 147 |
| 6070. 174 | 62-UDR16. ... 142 | 84-U0063. 145 | C24-FTL. 50 | F5-RA72-2. ... 147 |
| 6071. 174 | 62-UDR18. ... 142 | 84-U1830. 145 | C24-FTM. 50 | F5-RA72-3. ... 147 |
| 6072. 174 | 6251. 172 | 84-U1836. 145 | C24-GS. 50 | FTH-10. 69 |
| 6073. 174 | 6252. 172 | 84-U1848. 145 | C24-X. 50 | FTH-11. 72 |
| 6081-22. 174 | 6253. 172 | 84-U1860. 145 | C30-DH. 46 | FTH-12. 74 |
| 6082. 170 | 6254. 172 | 84-U1872. 145 | C30-DL. 46 | FTH-16. 76 |
| 6086. 163 | 6255. 172 | 84-U2036. 145 | C30-FTH. 46 | FTH-19. 78 |
| 6088. 163 | 6256. 172 | 84-U2048. 145 | C30-FTL. 46 | FTH-27. 81 |

INDEX

| | | | | | | | |
|------------------|-----|------------------|-----|------------------|-----|------------------|-----|
| FTL-10 | 68 | MMR-10 | 96 | PMC-12 | 123 | TCS-10 | 82 |
| FTL-11 | 70 | MMR-11 | 97 | PMC-16 | 125 | TCS-11 | 83 |
| FTL-12 | 73 | MMR-12 | 98 | PMC-19 | 126 | TCS-12 | 84 |
| FTL-16 | 75 | MMR-16 | 99 | PMC-27 | 127 | TCS-16 | 85 |
| FTL-19 | 77 | MMR-19 | 100 | PMD-10 | 121 | TCS-19 | 86 |
| FTL-27 | 79 | MMR-27 | 102 | PMD-11 | 122 | TCS-27 | 88 |
| FTM-10 | 69 | N4-LS16-1 . . . | 165 | PMD-12 | 123 | X50-B | 157 |
| FTM-11 | 72 | N4-PS20-8 . . . | 165 | PMD-16 | 125 | X50-C | 157 |
| FTM-12 | 74 | N4-RA12-3 . . . | 166 | PMD-19 | 126 | X51-F | 157 |
| FTM-16 | 76 | N4-RA36-3 . . . | 134 | PMD-27 | 127 | Y30-C | 174 |
| FTM-19 | 78 | N4-RA48-3 . . . | 134 | RPL-10 | 114 | Y31-A | 173 |
| FTM-27 | 81 | N4-RA60-3 . . . | 134 | RPL-11 | 115 | | |
| FTR-10 | 68 | N4-RA72-3 . . . | 134 | RPL-12 | 116 | | |
| FTR-11 | 70 | N4-RA84-3 . . . | 134 | RPL-16 | 118 | | |
| FTR-12 | 73 | N4-RA96-3 . . . | 134 | RPL-19 | 119 | | |
| FTR-16 | 75 | N4-RS36-3 . . . | 134 | RPL-27 | 120 | | |
| FTR-19 | 77 | N4-RS48-3 . . . | 134 | RPS-10 | 114 | | |
| FTR-27 | 79 | N4-RS60-3 . . . | 134 | RPS-11 | 115 | | |
| GSL-10 | 61 | N4-RS72-3 . . . | 134 | RPS-12 | 116 | | |
| GSL-10 | 89 | N4-RS84-3 . . . | 134 | RPS-16 | 118 | | |
| GSL-11 | 62 | N4-RS96-3 . . . | 134 | RPS-19 | 119 | | |
| GSL-11 | 90 | N5-DS36-4 . . . | 135 | RPS-27 | 120 | | |
| GSL-12 | 64 | N5-DS48-4 . . . | 135 | S2-RA36-2 . . . | 138 | | |
| GSL-12 | 92 | N5-DS60-4 . . . | 135 | S2-RA48-2 . . . | 138 | | |
| GSL-16 | 65 | N5-DS72-4 . . . | 135 | S2-RA60-2 . . . | 138 | | |
| GSL-16 | 93 | N5-DS84-4 . . . | 135 | S2-RS36-2 . . . | 138 | | |
| GSL-19 | 66 | N5-DS96-4 . . . | 135 | S2-RS48-2 . . . | 138 | | |
| GSL-19 | 94 | N5-LS16-1 . . . | 165 | S2-RS60-2 . . . | 138 | | |
| GSL-27 | 67 | N5-PS20-8 . . . | 165 | S2-WA48-0 . . . | 166 | | |
| GSL-27 | 95 | N5-RA12-4 . . . | 166 | S2-WA48-1 . . . | 166 | | |
| GSR-10 | 61 | N5-RA36-4 . . . | 136 | S3-RA36-3 . . . | 139 | | |
| GSR-10 | 89 | N5-RA48-4 . . . | 136 | S3-RA48-3 . . . | 139 | | |
| GSR-11 | 62 | N5-RA60-4 . . . | 136 | S3-RA60-3 . . . | 139 | | |
| GSR-11 | 90 | N5-RA72-4 . . . | 136 | S3-RS36-3 . . . | 139 | | |
| GSR-12 | 64 | N5-RA84-4 . . . | 136 | S3-RS48-3 . . . | 139 | | |
| GSR-12 | 92 | N5-RA96-4 . . . | 136 | S3-RS60-3 . . . | 139 | | |
| GSR-16 | 65 | N5-RS36-4 . . . | 136 | S3-WA48-0 . . . | 167 | | |
| GSR-16 | 93 | N5-RS48-4 . . . | 136 | S3-WA48-1 . . . | 167 | | |
| GSR-19 | 66 | N5-RS60-4 . . . | 136 | T4-RA36-3 . . . | 140 | | |
| GSR-19 | 94 | N5-RS72-4 . . . | 136 | T4-RA60-3 . . . | 140 | | |
| GSR-27 | 67 | N5-RS84-4 . . . | 136 | T4-RS36-3 . . . | 140 | | |
| GSR-27 | 95 | N5-RS96-4 . . . | 136 | T4-RS60-3 . . . | 140 | | |
| MML-10 | 96 | P4-RA36-3 . . . | 137 | TCL-10 | 82 | | |
| MML-11 | 97 | P4-RA60-3 . . . | 137 | TCL-11 | 83 | | |
| MML-12 | 98 | P4-RS36-3 . . . | 137 | TCL-12 | 84 | | |
| MML-16 | 99 | P4-RS60-3 . . . | 137 | TCL-16 | 85 | | |
| MML-19 | 100 | PMC-10 | 121 | TCL-19 | 86 | | |
| MML-27 | 102 | PMC-11 | 122 | TCL-27 | 88 | | |

TAKE A FEW MINUTES TO WRITE DOWN THESE SIMPLE STEPS

Plan your storage zones

For how long do you plan to use the vehicle? A year 2–5 years 10 years or more (see page 4)
 Will payload capacity be an issue? Yes No Why? _____
 What type of industry are you in? _____

What kind of partition do I need? (F zone)

Do I need to see my cargo or see out the side doors? Yes No
 Do I need the ability to go from the cabin to the cargo area through the partition? Yes No

List the equipment/products you will need to store

Place the items that you need most often in the most accessible locations.

| | How often will you use this? | | | Zone |
|-------|------------------------------|--------------------------|--------------------------|-----------|
| | Daily | Weekly | Monthly | A-B-C-D-E |
| _____ | <input type="checkbox"/> | <input type="checkbox"/> | <input type="checkbox"/> | _____ |
| _____ | <input type="checkbox"/> | <input type="checkbox"/> | <input type="checkbox"/> | _____ |
| _____ | <input type="checkbox"/> | <input type="checkbox"/> | <input type="checkbox"/> | _____ |
| _____ | <input type="checkbox"/> | <input type="checkbox"/> | <input type="checkbox"/> | _____ |
| _____ | <input type="checkbox"/> | <input type="checkbox"/> | <input type="checkbox"/> | _____ |

Will I need to carry larger objects Yes No

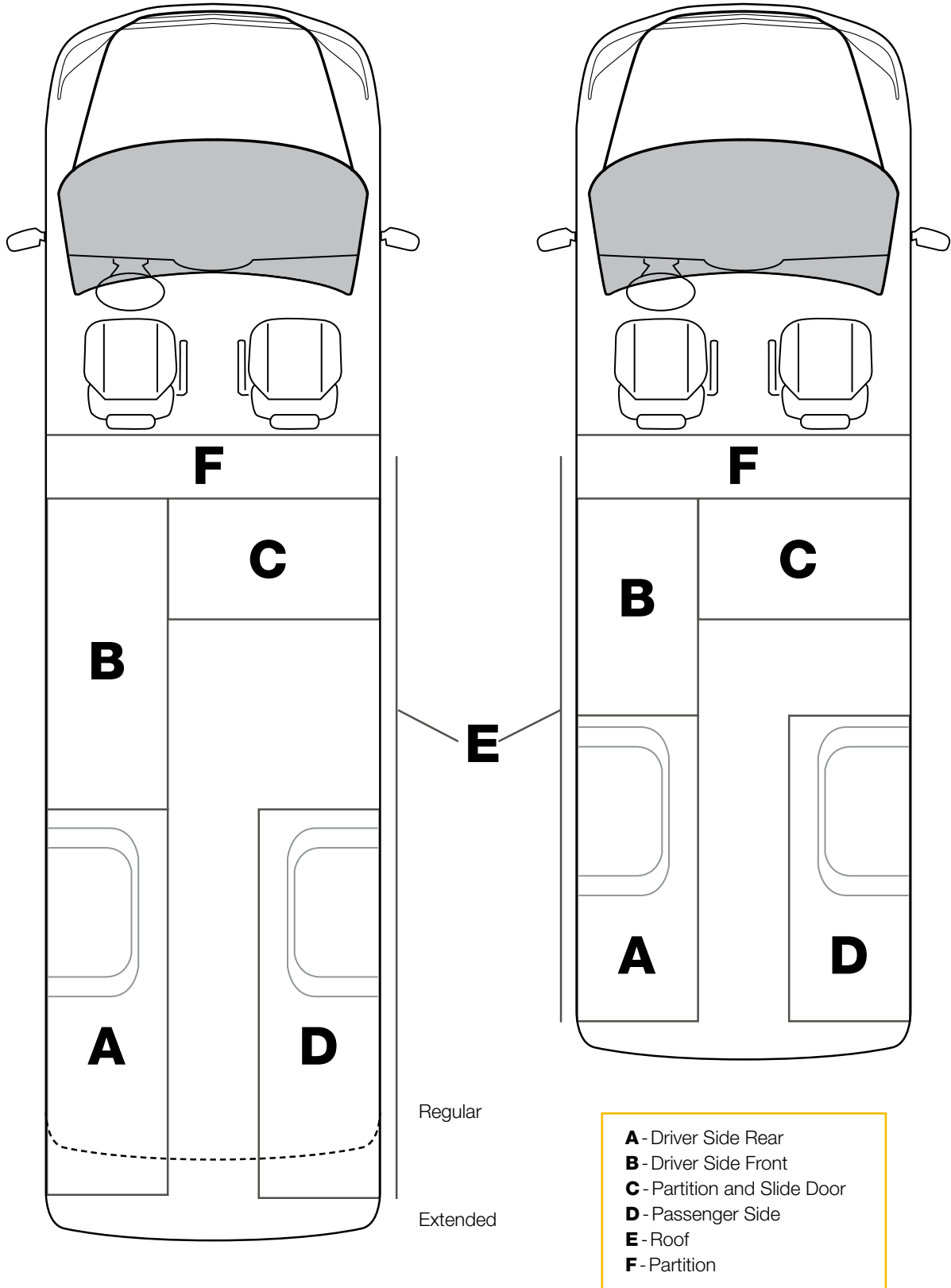
List the tools you will need to carry

Place heavy tools closest to the access doors.

| | How often will you use this? | | | Zone |
|-------|------------------------------|--------------------------|--------------------------|-----------|
| | Daily | Weekly | Monthly | A-B-C-D-E |
| _____ | <input type="checkbox"/> | <input type="checkbox"/> | <input type="checkbox"/> | _____ |
| _____ | <input type="checkbox"/> | <input type="checkbox"/> | <input type="checkbox"/> | _____ |
| _____ | <input type="checkbox"/> | <input type="checkbox"/> | <input type="checkbox"/> | _____ |
| _____ | <input type="checkbox"/> | <input type="checkbox"/> | <input type="checkbox"/> | _____ |
| _____ | <input type="checkbox"/> | <input type="checkbox"/> | <input type="checkbox"/> | _____ |

What kind of ladder(s) will I be carrying? Step ladder Size _____ Extension ladders Size _____

STORAGE ZONES





THE PERFECT FIT
FOR YOUR
TOUGHEST JOBS

**MAXIMIZE CARGO CAPACITY
& VEHICLE PERFORMANCE
WITH CONTRACTOR GRADE,
ORGANIZED STORAGE SYSTEMS**

When you want the perfect upfit solution for your work vehicle, turn to Ranger Design. Crash-tested for toughness, Ranger Design's shelving and upfits will take whatever abuse you can dish out. Their unsurpassed craftsmanship, combined with ideal fit and finish, provide a quiet ride with no rattles.



CUSTOMER SERVICE

cs@rangerdesign.com

1-800-565-5321

rangerdesign.com

